

ASW608

ASW610

ASW610XP

Figure 1 (ASW608/ASW610)

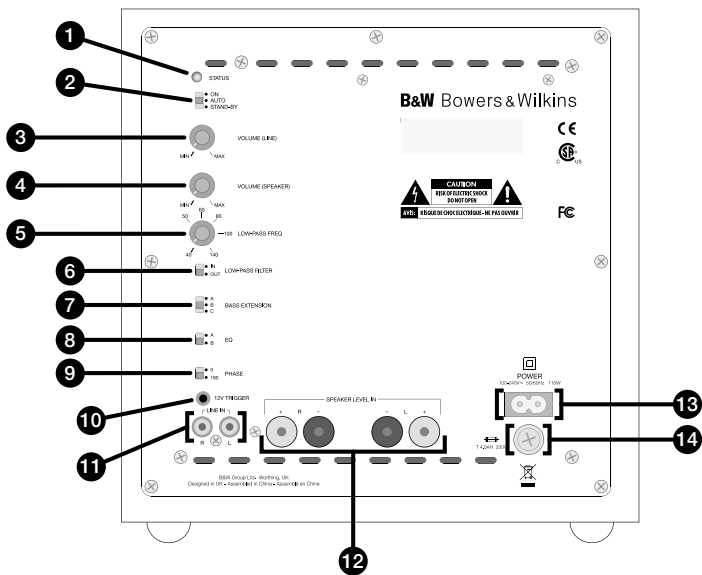


Figure 1 (ASW610XP)

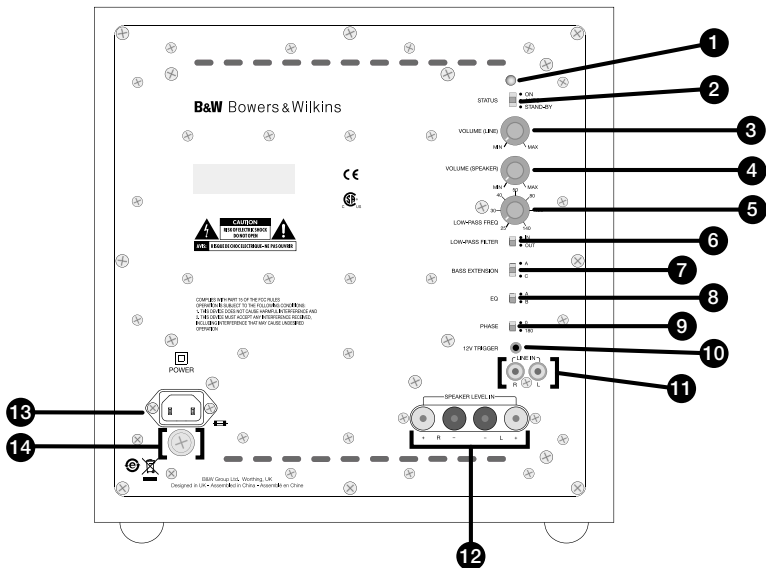


Figure 2 (ASW608/ASW610)

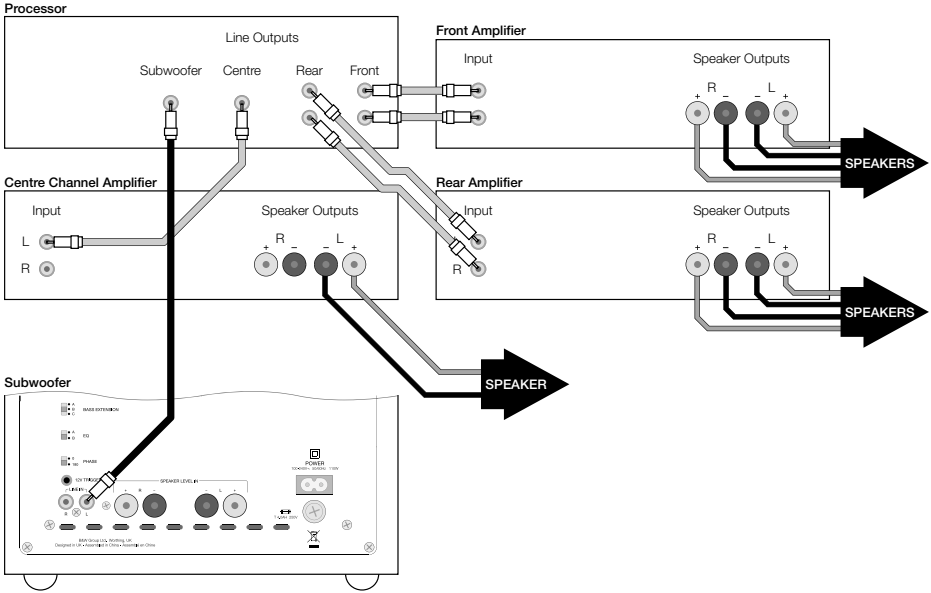


Figure 2 (ASW610XP)

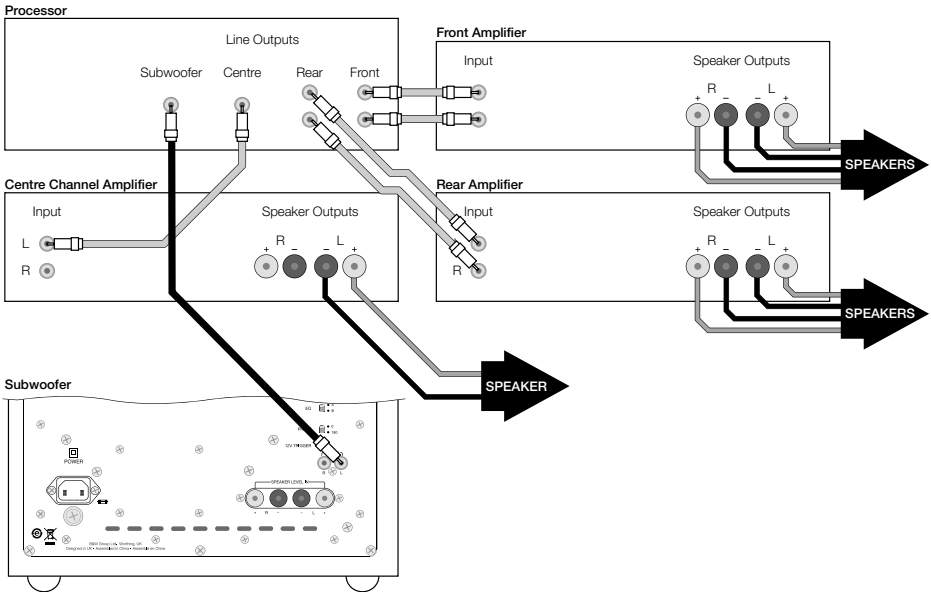


Figure 3 (ASW608/ASW610)

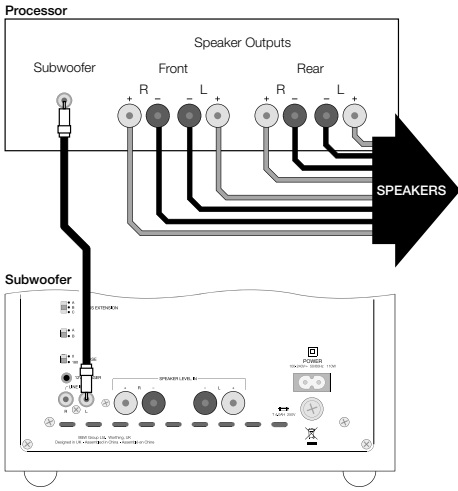


Figure 3 (ASW610XP)

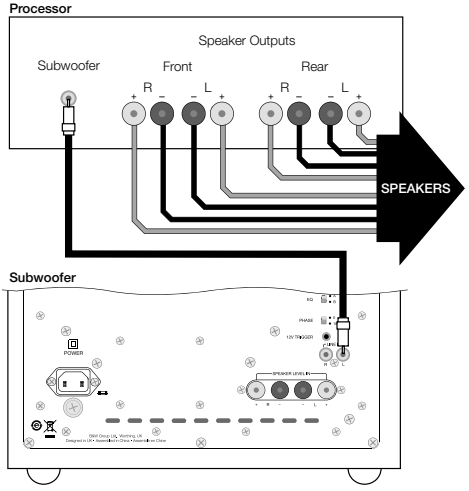


Figure 4 (ASW608/ASW610)

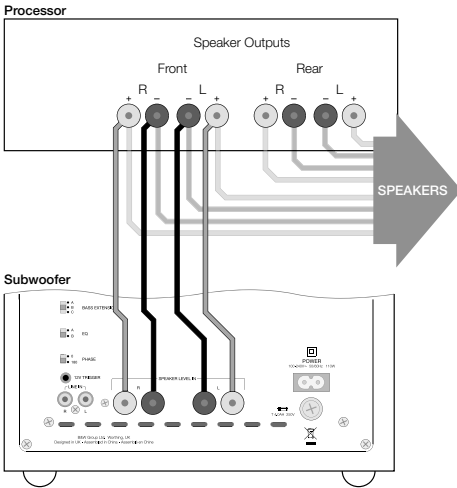


Figure 4 (ASW610XP)

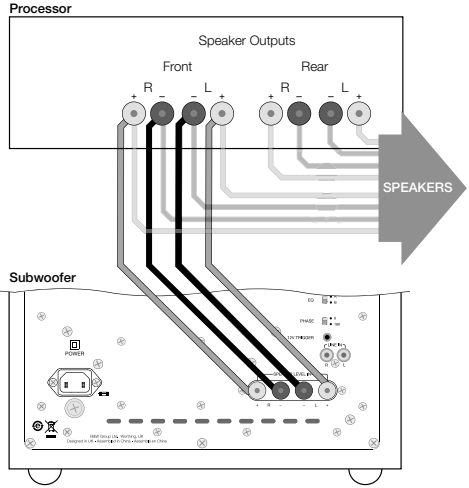


Figure 5 (ASW608/ASW610)

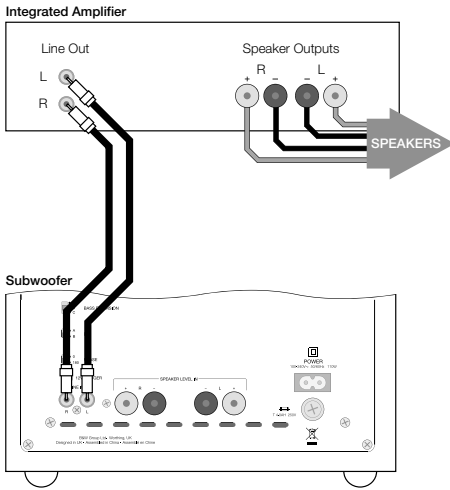


Figure 5 (ASW610XP)

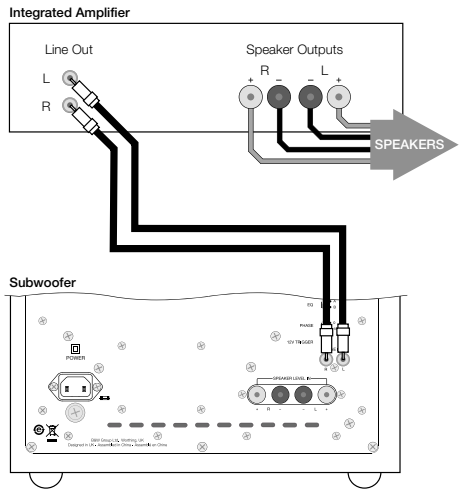


Figure 6 (ASW608/ASW610)

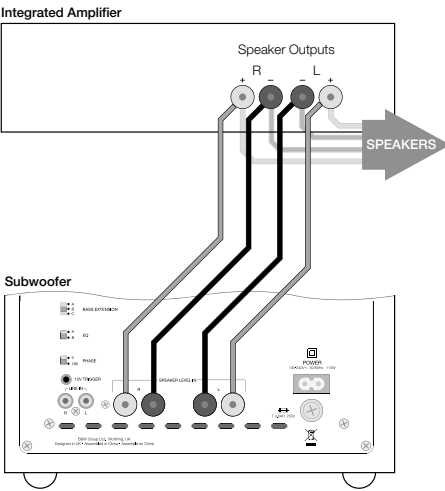


Figure 6 (ASW610XP)

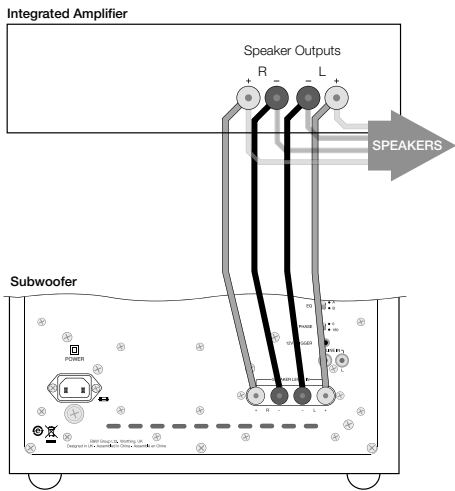


Figure 7 (ASW608/ASW610)

Integrated Amplifier

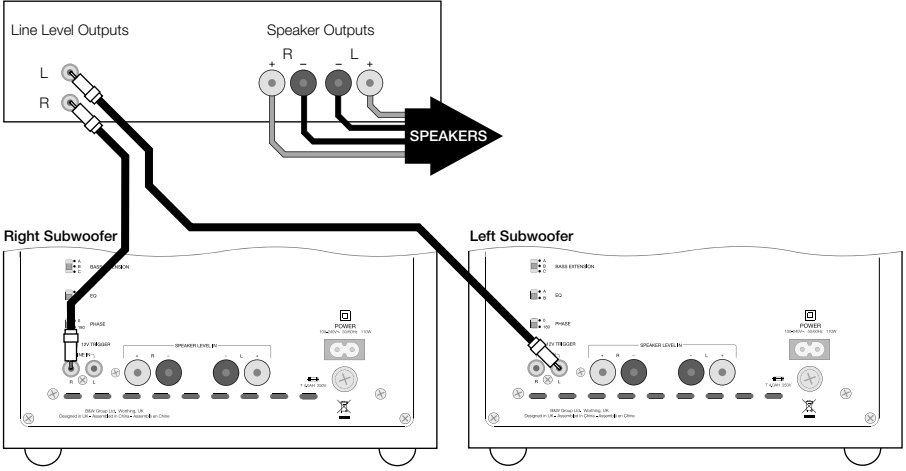


Figure 7 (ASW610XP)

Integrated Amplifier

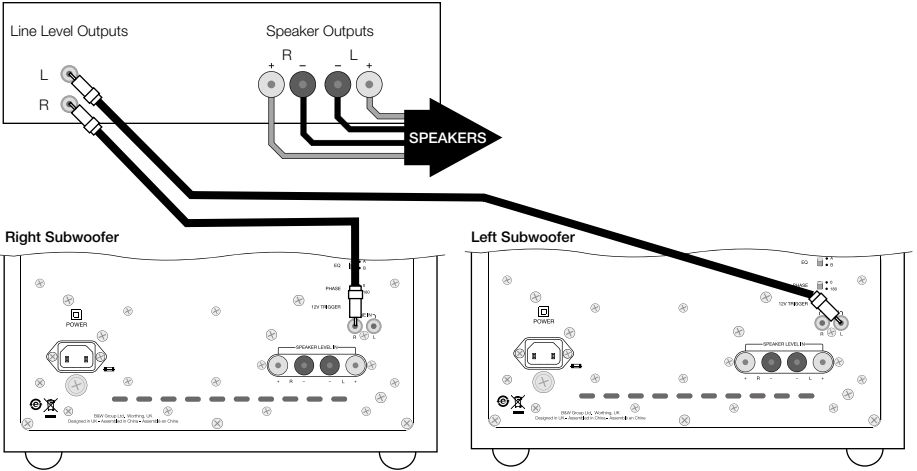


Figure 8 (ASW608/ASW610)

Integrated Amplifier

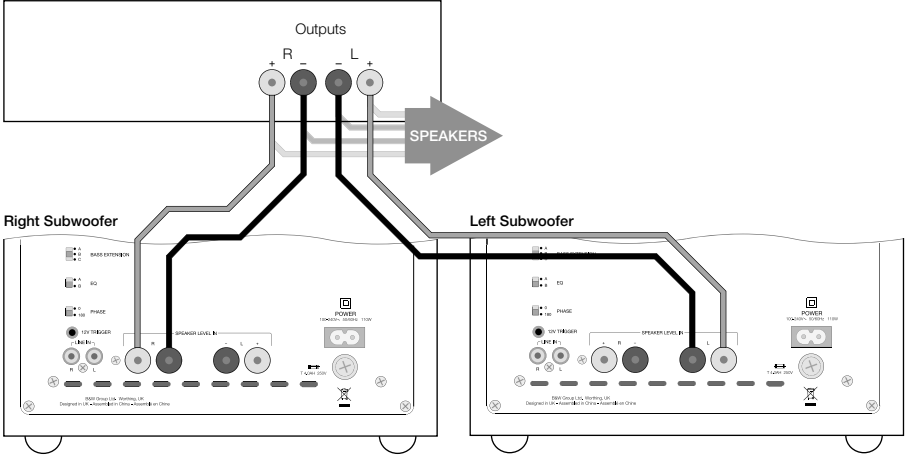


Figure 8 (ASW610XP)

Integrated Amplifier

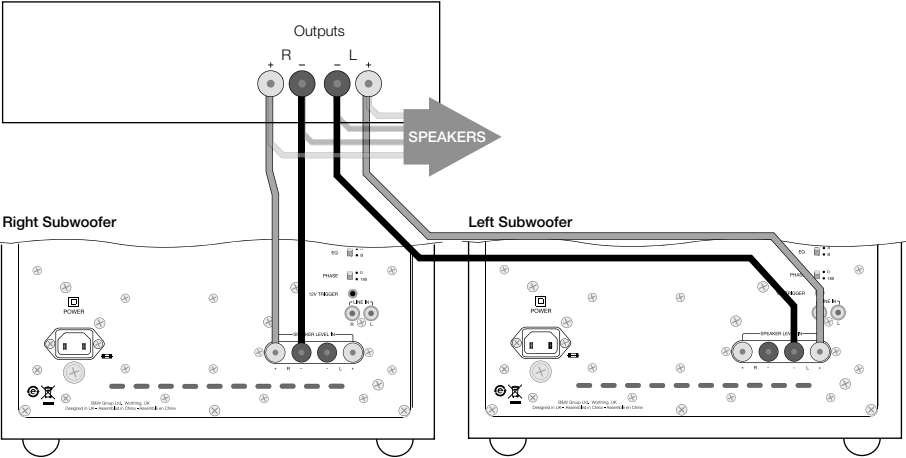


Figure 9 (ASW608/ASW610)

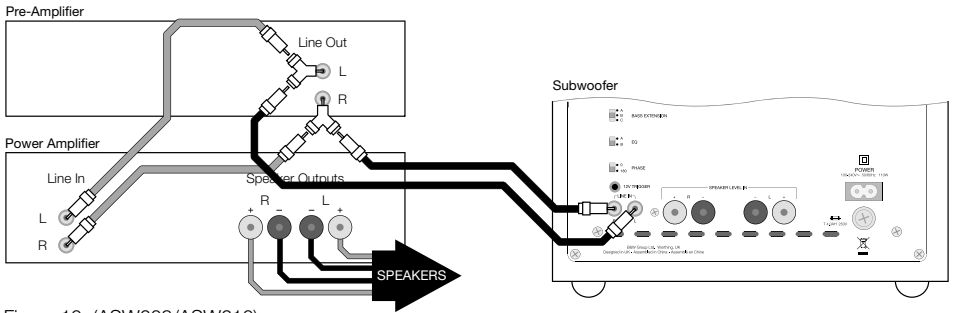


Figure 10 (ASW608/ASW610)

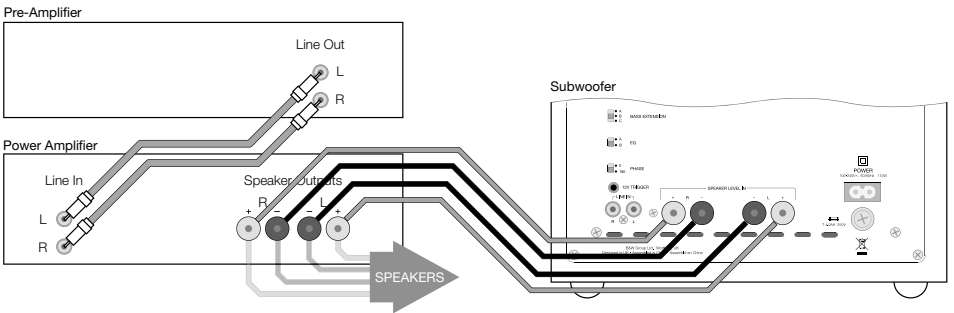


Figure 9 (ASW610XP)

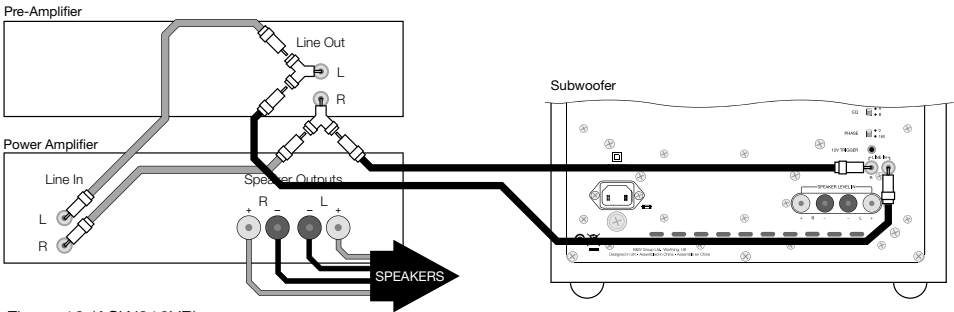


Figure 10 (ASW610XP)

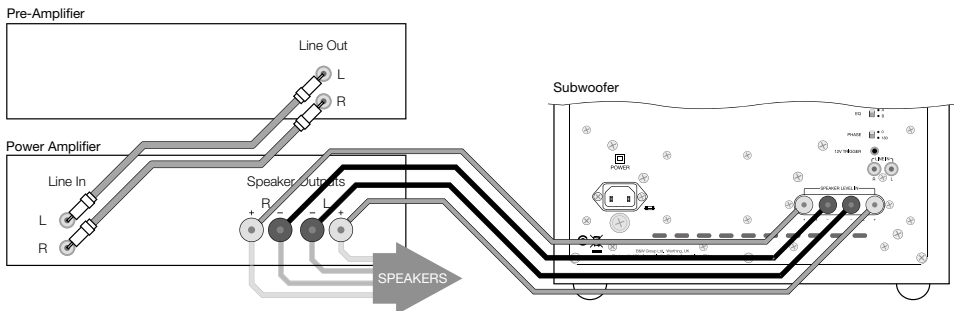


Figure 11 (ASW608/ASW610)

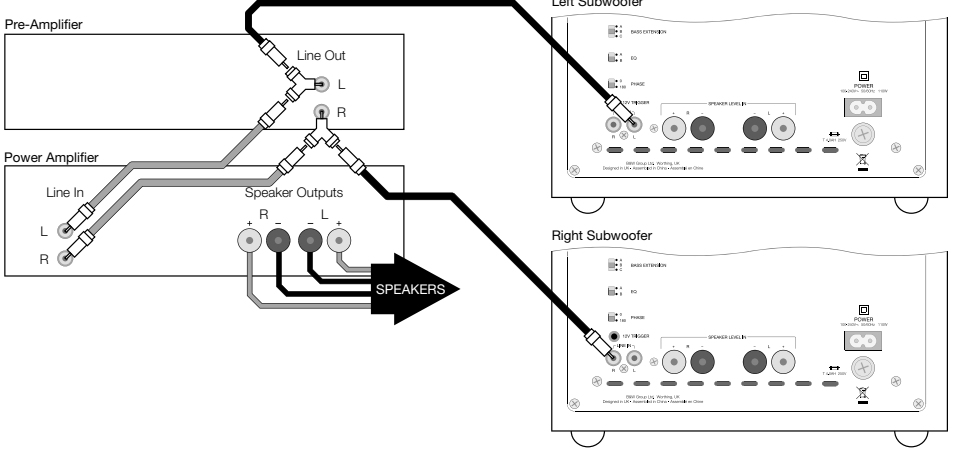


Figure 11 (ASW610XP)

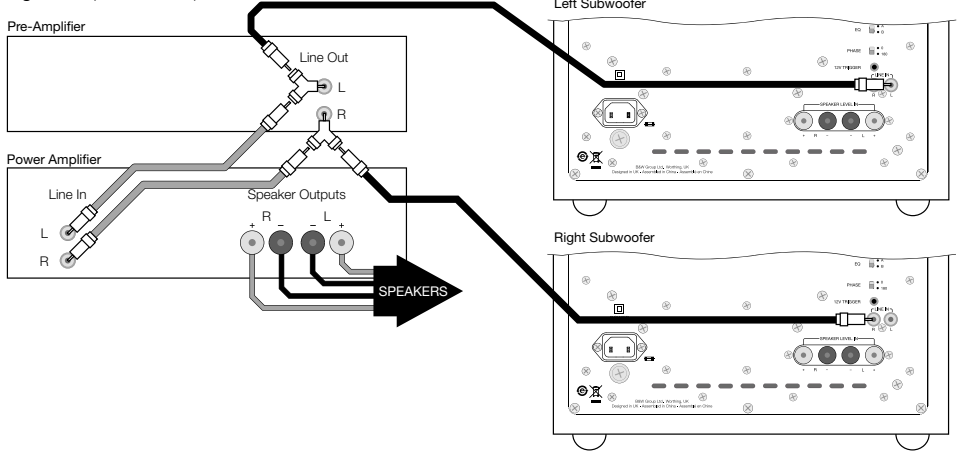


Figure 12 (ASW608/ASW610)

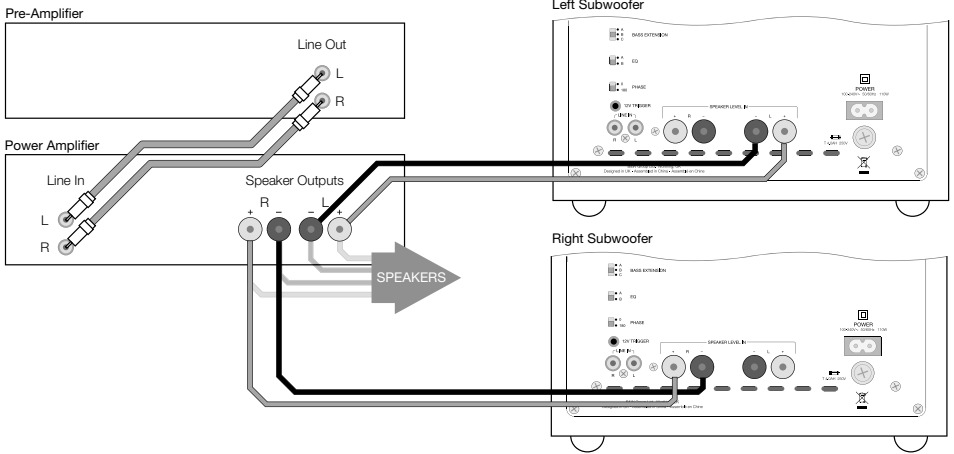
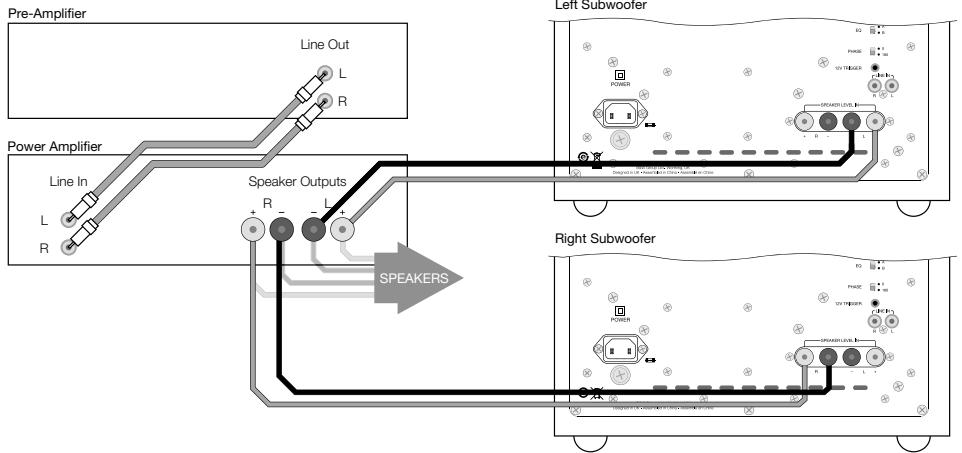


Figure 12 (ASW610XP)



Contents

English

Owner's Manual11

Français

Manuel d'utilisation14

Deutsch

Bedienungsanleitung...19

Español

Manual de
instrucciones23

Português

Manual do utilizador....28

Italiano

Manuale di istruzioni ...33

Nederlands

Handleiding37

Ελληνικά

Οδηγίες Χρήσεως41

Русский

Руководство по
эксплуатации46

Česky

Návod k použití.....51

Magyar

Használati útmutató ...55

Polski

Instrukcja
użytkownika59

日本語

取扱説明書63

简体中文

用户手册67

繁體中文

用戶手冊70

EU Declaration of
Conformity.....73

Technical
Specifications74–76

English

Owner's manual

Introduction

Dear customer,

Thank you for choosing Bowers & Wilkins. Please read this manual fully before unpacking and installing the product. It will help you to optimise its performance. B&W maintains a network of dedicated distributors in over 60 countries who will be able to help you should you have any problems your dealer cannot resolve.

Environmental Information



All B&W products are designed to comply with international directives on the Restriction of Hazardous Substances (RoHS) in electrical and electronic equipment and the disposal of Waste Electrical and Electronic Equipment (WEEE). These symbols indicate compliance and that the products must be appropriately recycled or processed in accordance with these directives. Consult your local waste disposal authority for guidance.

Carton Contents

Check in the carton for:

- 1 Mains cable
- 1 Accessory pack containing:
 - 4 M6 spike feet
 - 4 M6 rubber feet
 - 4 Lock nuts (10mm across flats)

Installation

The subwoofer has been designed both for Home Theatre installations and to augment the bass performance of 'full range' speakers in 2-channel audio systems. All audio installations require some thought in installation if they are to reach their full performance potential and this manual will guide you through the process.

The subwoofer requires connection to the mains power supply, so it is important that you familiarise yourself with the safety instructions and heed all the warnings. Keep this manual in a safe place for future reference.

The Subwoofer Connection and Control Panel (Figure 1)

- 1. Status indicator.
- 2. On, Auto, Stand-by switch.
- 3. Line-level input volume.
- 4. Speaker level input volume.
- 5. Low-pass filter frequency.
- 6. Low-pass filter selection switch.
- 7. Bass extension switch.
- 8. Equalisation switch.
- 9. Phase reverse switch.
- 10. 12V trigger input.

- 11. Line level input sockets (left and right).
- 12. Speaker level input binding posts (left and right).
- 13. Mains input.
- 14. External fuse holder.

Subwoofer Applications

The primary function of a subwoofer is to reproduce signals from an audio-visual processor Low Frequency Effects (LFE) channel. In addition, the processor may be configured to divert the low bass portion from some or all of the other channels and add it to the LFE information. This is usually done by selecting "small" loudspeakers in the processor set-up procedure.

In 2-channel audio applications a subwoofer is used to extend the bass response lower than that provided by the satellite speakers. The subwoofer low-pass filter should be set so that the subwoofer takes over as the output of the satellite speakers falls.

Subwoofer Positioning and Installation

The ear poorly perceives the source location of low frequency sound so the position of subwoofers in the listening room is generally less critical compared to full-range speakers. However, best results are usually obtained if the subwoofer is placed between the left and right speakers or in the vicinity of one of them. If two subwoofers are used, it is best to put one near the left and one near the right speaker. Placing a subwoofer behind the listening position, even in multi-channel surround sound installations, generally results in inferior imaging, but may be an acceptable compromise if domestic considerations dictate.

As with all speakers, the proximity of room boundaries affects the sound of a subwoofer. Bass volume increases as more surfaces come into close proximity with the speaker. Unlike full-range speakers, however, the overall system balance can be corrected by adjusting the volume level of the subwoofer. The more boost gained from the room, the lower the volume can be set and the less hard the subwoofer has to work; but there is a down side. Subwoofers positioned near corners often generate more low-frequency room resonances, making the bass more uneven with frequency. There is no substitute for experiment as all rooms behave differently, so the subwoofer should be tried in a variety of positions before a final decision is made. A piece of music with a bass line ascending or descending the musical scale is useful for assessing the smoothness of the bass response. Listen for exaggerated or quiet notes.

If the subwoofer is to be used in a confined space (e.g. built into furniture), the space must be ventilated to allow sufficient air to circulate and cool the unit. Ask your dealer for advice.

The subwoofer is intended to be floor mounted only. It is important to ensure the subwoofer stands firmly on the floor using the spike feet supplied whenever possible. The spike feet are designed to pierce carpet and rest on the floor surface. Initially, screw the lock nuts onto the spikes enough to leave the nuts floating just above the carpet when the spikes are resting on

the floor beneath. Screw the spikes fully into the threaded inserts in the base of the cabinet. If the cabinet rocks when placed on the floor, unscrew the two spikes that do not touch the floor until the cabinet rests firmly without rocking. Finally, lock the nuts against the cabinet. It may be more convenient to fit and adjust the spike feet after speaker positioning has been optimised.

If there is no carpet and you wish to avoid scratching the floor surface, use either a protective metal disc (a coin perhaps) between the spike and the floor or use the supplied rubber feet. Fit the rubber feet by screwing one into each of the holes in the underside of the cabinet.

The grille fitted to the front of the subwoofer may be removed if desired. Take care however not to touch the moving parts of the drive unit as damage may result.

Using Multiple Subwoofers

Using multiple subwoofers in a single installation can improve performance in the following ways:

- Maintain stereo separation to the lowest frequencies.
- Smooth out the effects of low frequency room resonances.
- Enable a higher maximum sound output.

In the case of two subwoofers used in a 2-channel audio system, stereo separation will only be improved if each channel has its own subwoofer located close to the appropriate satellite speaker.

Electrical Connections

Disconnect all audio system equipment from the mains until the signal connections have been made and checked. This avoids the risk of damage whilst connections are made or broken. The subwoofer can accept both line level signals via the RCA Phono sockets (Item 11 in Figure 1) and speaker level signals via the binding posts (Item 12 in Figure 1). Use the following guide to select the appropriate connection method for your installation:

Application: Home Theatre

Subwoofer connected to AV Processor with separate power amplifiers: Figure 2

Subwoofer connected to AV Processor with integrated power amplifiers:

- using line-level inputs: Figure 3
- using speaker level inputs: Figure 4

Note: The subwoofer is always better connected via its line level inputs in home theatre applications.

Application: 2-channel audio

Subwoofer connected to Integrated Amplifier:

- using line-level inputs: Figure 5
- using speaker level inputs: Figure 6

Two Subwoofers connected to Integrated Amplifier:

- using line-level inputs: Figure 7

- using speaker level inputs: Figure 8

Subwoofer connected to Pre/Power Amplifier:

- using line-level input: Figure 9
- using speaker level inputs: Figure 10

Two Subwoofers connected to Pre/Power Amplifier:

- using line-level inputs: Figure 11
- using speaker level inputs: Figure 12

Before Auditioning

Before auditioning your new subwoofer installation and fine-tuning it, double check the connections. Make sure in particular that:

1. The phasing is correct. If the speaker level inputs are used, ensure that the positive terminals on the subwoofer (marked + and coloured red) are connected to the positive output terminals on the amplifier and that the negative terminals on the subwoofer (marked – and coloured black) are connected to the negative output terminals on the amplifier. Incorrect connection can result in a confused sound with poor bass.
2. Left and right channels are not interchanged. Left/right confusion can result for example in orchestral elements appearing in the wrong place in the stereo image, or Home Theatre sound effects not matching the action on screen.

Switching On and Off

Subwoofers are best switched on after any other item and switched off first. The On/Auto/Standby switch (Item 2 in Figure 1) and Status Indicator (Item 1 in Figure 1) operate as follows:

On: With the switch to On, the subwoofer will remain fully active and the indicator will glow green.

Auto: With the switch set to Auto, the subwoofer will initially become fully active and the indicator will glow green. After about 5 minutes without an input signal, the subwoofer will automatically enter “sleep” mode. The indicator will glow red. When an input signal is detected, the subwoofer will automatically become active and the indicator will glow green. The subwoofer will return to sleep after about 5 minutes with no input signal.

Audio-visual processors incorporating an “automatic” set up procedure may be “confused” by subwoofers with an auto switch-on/sleep function. A potentially damaging fault condition can arise. Subwoofers are best left switched on and fully active during set up if such a processor is used.

Standby: With the switch set to Standby the subwoofer will become active when 12V is applied to the Trigger Input (Item 10 in Figure 1). Zero volts at the input will return the subwoofer to sleep. The indicator will glow green when the subwoofer is active and red when the subwoofer is in sleep.

Setting The Subwoofer Controls

There are 7 controls to consider:

- The VOLUME (LINE) control (Item 3 in Figure 1)

- The VOLUME (SPEAKER) control (Item 4 in Figure 1)
- The LOW-PASS FREQ (frequency) control (Item 5 in Figure 1)
- The LOW-PASS FILTER switch (Item 6 in Figure 1)
Note: This applies only to the LINE input. The filter is always in circuit with the SPEAKER LEVEL input.
- The BASS Extension switch (Item 7 in Figure 1)
- The EQ (equalisation) switch (Item 8 in Figure 1)
- The PHASE switch (Item 9 in Figure 1)

The appropriate settings depend on the equipment used with the subwoofer and the modes of connection. If using more than one subwoofer, ensure the controls on each one are set the same.

Note: The VOLUME (LINE) and VOLUME (SPEAKER) controls only operate on their respective line and volume inputs. An unused volume control is best set to Min.

Home Theatre Settings

Set the VOLUME (LINE or SPEAKER) control initially to the 9 o'clock position.

Set the LOW-PASS FILTER switch to OUT.

Set the EQ switch initially to position A.

Set the PHASE switch initially to 0°.

Set the LOW-PASS FREQ (frequency) control to 140 if the speaker level inputs are used. The setting is irrelevant if the line level inputs are used.

See the "Fine Tuning" section for more.

The subwoofer is not a THX® licensed component, but may be used with a THX® controller if desired. If a THX® controller is used, ensure that the subwoofer function is enabled. This incorporates all the filtering and level setting required for the subwoofer in all modes. For level calibration, the internal test noise and channel level controls in the THX® controller should be used. In all cases the levels should be set to obtain 75dB SPL (C-weighted) at the listening position from the controller's internal noise test signal.

With other processors, configure the front and surround speakers to "large" or "small" as appropriate before setting the levels. Use the internal noise test signal and volume controls of the processor to set the levels of all the speakers. Only change the VOLUME control on the subwoofer if there is not enough range in the processor to achieve the correct levels.

Inexpensive sound level meters are readily available from electronics stores and can be used to calibrate the levels. Refer to your processor manual for further details on how to set the levels.

2-channel Audio Settings

Set the VOLUME (LINE or SPEAKER) control initially to the 9 o'clock position.

Set the LOW-PASS FILTER switch to IN.

Set the EQ switch initially to position A.

Set the PHASE switch initially to 0°.

Set the LOW-PASS FREQ control to match the -6dB low frequency cut-off frequency of the satellite

speakers. Note: Both -3dB and -6dB figures can be found in the specification of each B&W speaker model. If the satellite speaker manufacturer quotes only a -3dB frequency, the optimum setting for the LOW-PASS FREQ control should be between 0.6 and 0.9 times that figure. The more gradual the low frequency roll-off of the satellite speakers, the lower the frequency should be set.

See the Fine Tuning section for more.

Fine-tuning

Home Theatre

In home theatre systems, the subwoofer (LFE) signal is a separate channel rather than an extension of the signal to the satellite speakers. The LOW-PASS FILTER is switched out (or set to maximum), because the processor provides all the filtering for any speakers set to "small". However, the position of the PHASE switch must still be assessed. Normally the phase will be set to 0°, but if the subwoofer is positioned at a distance significantly different from the other speakers, or the power amplifier driving the other speakers happens to invert the signal, the 180° position may be preferable. Listen with the switch in both positions and choose the one that gives the fullest sound. If there is little difference, leave the switch at 0°.

Surround sound processors normally have a calibrated noise signal that can be used to set the relative levels of all the speakers, making the task somewhat more straightforward than for 2 channel audio. However, do not be afraid to alter the settings to your personal preference. It is all too easy to get carried away with the capabilities of the subwoofer, especially with some special low-frequency effects. Often a more realistic portrayal, and one more satisfying in the long term, is to be had by setting the subwoofer level lower than the standard calibration level.

2-channel Audio

Set the system up in the preferred position and play some programme with a steady bass content.

The optimum settings of the PHASE switch and the LOW-PASS FREQ control are inter-related and also dependent on the low-frequency cut-off characteristic of the satellite speakers. However, the settings recommended above for the LOW PASS FREQ control and PHASE switch have been chosen to integrate well with most satellite speaker bass alignments.

Using the initial settings, first check the setting of the PHASE switch. Choose the option that gives the fullest sound. Normally the recommended option will be optimum, but may not be in certain circumstances. These may be that the power amplifiers feeding the satellite speakers invert the signal or that the subwoofer is not placed close to the satellite speakers.

Next, adjust the VOLUME (LINE or SPEAKER) of the subwoofer relative to the satellite systems to your liking. Use a wide variety of programme material to get an average setting. A setting that sounds impressive on one piece may sound overpowering on another. Listen at a realistic volume level as the perception of musical balance varies with sound level.

Finally, adjust the LOW-PASS FREQ control to give the smoothest transition between the subwoofer and satellite speakers.

All Applications

The BASS EXTENSION switch offers three options of subwoofer bass extension. Position A gives the greatest extension and position C gives the least extension. Position B provides a compromise setting. If the system is to be used at very high volume levels or in a large listening room, restricting the bass extension by selecting either B or C may help ensure that the subwoofer is not asked to exceed its performance limits. In most situations the BASS EXTENSION switch should be left in position A.

The EQ switch alters the subwoofer bass roll-off alignment. The bass you hear is a combination of the subwoofer plus the effects of the room and you should choose the position that best complements your room and the location of the subwoofer. Position A gives a "drier" alignment, more suited to placing the subwoofer in a corner or compensating for a resonant room. Position B is suited to a less resonant room acoustic and use away from a corner.

If you get problems with uneven bass – certain bass notes are exaggerated more than others – then you probably have a room interface problem and it is worth experimenting with the location of the subwoofer. What may seem like small changes in position – 15cm (6in) or so – can have a profound effect on the sound. The use of multiple subwoofers can smooth the effects of room resonances, as each subwoofer will tend to excite resonances at different frequencies. If you appreciably alter the relative distances from the subwoofer(s) and satellite speakers to the listening position, re-assess the PHASE switch setting. You should also check the volume of the subwoofer (using either the processor output levels or the VOLUME control on the subwoofer amplifier as appropriate), but only after setting the phase correctly.

Aftercare

The cabinet surfaces usually only require dusting. If you wish to use an aerosol or other cleaner, remove the grille first by gently pulling it away from the cabinet. Spray aerosols onto the cleaning cloth, not directly onto the product. Test a small area first, as some cleaning products may damage some of the surfaces. Avoid products that are abrasive, or contain acid, alkali or anti-bacterial agents. Do not use cleaning agents on the drive unit. The grille fabric may be cleaned with a normal clothes brush whilst the grille is detached from the cabinet. Avoid touching the drive unit, as damage may result. Switch off the subwoofer before cleaning.

Do not use the subwoofer as a table. When in use, objects left on top of the subwoofer are liable to rattle. In particular, avoid the risk of liquids being spilled (e.g. from drinks or vases of flowers).

If the system is taken out of use for a long period, disconnect the subwoofer from the mains supply.

Français

Manuel d'utilisation

Introduction

Cher Client,

Nous vous remercions d'avoir choisi Bowers & Wilkins. Veuillez lire soigneusement ce manuel avant de déballer et d'installer cet appareil. Il vous aidera à en obtenir les performances optimales. B&W est distribué dans plus de 60 pays dans le monde entier, par l'intermédiaire de distributeurs spécialement sélectionnés ; ceux-ci pourront vous aider à résoudre d'éventuels problèmes ignorés par votre revendeur.

Information sur la protection de l'environnement



Tous les produits B&W sont conçus en conformité totale avec les normes internationales concernant l'interdiction d'utilisation de certaines substances dangereuses (RoHS) dans les équipements électriques et électroniques, ainsi que la possibilité de recyclage des matériaux utilisés (WEEE, pour Waste Electrical and Electronic Equipment). Ces symboles indiquent la compatibilité avec ces directives, et le fait que les appareils peuvent être correctement recyclés ou traités dans le respect total de ces normes. Consultez l'organisme officiel de votre région pour le traitement des produits.

Vérification du contenu de l'emballage

Vérifiez que le carton contienne bien :

- 1 câble d'alimentation secteur
- 1 carton d'accessoires contenant :
 - 4 pieds-pointes M6
 - 4 pieds en caoutchouc M6
 - 4 écrous de blocage (10 mm)

Installation

Cette enceinte de sous-grave – que nous appelons subgrave, a été conçue aussi bien pour une installation Home Cinema que pour améliorer les performances dans le grave d'enceintes « large bande », dans un système Haute Fidélité stéréo (2 canaux). Chaque type d'installation nécessite un paramétrage spécifique afin d'obtenir les meilleures performances possibles, et ce manuel vous guide pas à pas dans ce but.

Ce subgrave nécessite d'être alimenté par le secteur : il est donc important que vous lisiez et vous familiarisiez avec toutes les consignes de sécurité qui s'y attachent. Conservez soigneusement ce manuel dans un endroit accessible, pour pouvoir vous y référer à tout instant.

Branchements et panneau de commande du subgrave (Figure 1)

1. Indicateur de fonctionnement.
2. Commutateur de mise en fonction (On), automatique (Auto), mise en veille (Standby).
3. Volume entrée niveau Ligne.

4. Volume entrée niveau enceintes acoustiques.
5. Fréquence de réglage filtre passe-bas.
6. Commutateur de sélection du filtre passe-bas.
7. Commutateur extension grave.
8. Commutateur égalisation.
9. Commutateur de mise en phase/hors phase.
10. Prise d'entrée de commutation 12 V Trigger.
11. Prises d'entrée niveau Ligne (gauche et droite).
12. Bornier de prises d'entrée enceintes acoustiques (gauche et droite).
13. Prise d'alimentation secteur.
14. Cartouche du fusible de protection externe.

Domaines d'applications du subgrave

Le premier rôle d'une enceinte subgrave est de reproduire les signaux du canal dit LFE (Low Frequency Effects, le « 1 » de l'expression « 5.1 canaux ») envoyé par un décodeur sonore dans une installation Home Cinema. De plus, le processeur peut aussi être configuré pour envoyer les fréquences les plus basses de tout ou partie des autres canaux, en les ajoutant ainsi au signal du LFE proprement dit. On configure alors les autres enceintes concernées en mode « small » (gamme de fréquences réduite), dans le menu de paramétrage du processeur.

Dans les applications audio stéréo (2 canaux), le subgrave est cette fois utilisé pour étendre la réponse dans le grave et l'extrême-grave, par rapport aux fréquences reproduites par les satellites. Le filtre passe-bas de l'enceinte subgrave doit alors être réglé pour que celle-ci prenne le relais exactement quand la fréquence reproduite par les enceintes satellites commence à chuter.

Positionnement et installation du subgrave

Parce qu'il ne diffuse que de très basses fréquences et parce que les informations relatives à la localisation des sons y sont nettement moins importantes pour l'oreille humaine, le positionnement d'un subgrave est beaucoup moins critique que celui d'enceintes à large bande. Cependant, les meilleurs résultats sont obtenus, généralement, lorsque le subgrave est placé au milieu des enceintes satellites ou encore au voisinage immédiat de l'une d'entre elles. Lorsque vous utilisez deux subgraves, le mieux est que vous en placiez un à proximité de chaque satellite. Le positionner derrière l'auditeur, même dans une installation audio multi-canaux, procure une image généralement moins précise, mais peut représenter un compromis acceptable quand les considérations domestiques le nécessitent.

Comme pour toute enceinte acoustique, les réflexions du son sur les parois de la pièce modifient la qualité de reproduction d'un subgrave car les murs et le sol qui se trouvent à proximité amplifient les basses. Cependant et contrairement à ce qui se passe avec les modèles à large bande, vous pourrez toujours rééquilibrer la balance sonore d'un ensemble utilisant un subgrave actif en réglant son niveau sonore, via sa

commande spécifique. Plus la pièce d'écoute jouera ainsi un rôle de renforcement du grave, en rapprochant le subgrave d'un angle de la pièce, moins celui-ci aura besoin d'être sollicité. Mais cela a un revers : la position en encoignure aura tendance à exciter les résonances de la pièce, et ce de manière erratique. Ce qui, finalement, peut altérer gravement la régularité de la réponse en fréquences. Il n'existe pas de meilleur procédé que l'expérimentation, chaque salle étant très différente d'une autre. Vous devrez explorer une grande variété d'emplacements avant de faire votre choix définitif. Utiliser un extrait musical avec un instrument grave montant et descendant la gamme est très utile pour juger l'équilibre des basses. Écoutez attentivement les notes très contrastées, trop faibles ou exagérément fortes.

Si le subgrave doit être placé dans un espace très confiné (intégré dans un meuble par exemple), cet espace doit être ventilé afin qu'il y ait suffisamment d'air pour refroidir l'appareil ; questionnez votre revendeur à ce sujet.

Le subgrave est prévu pour être directement posé au sol. Il est important de s'assurer qu'il est parfaitement équilibré sur le sol, en utilisant les pointes de découplage fournies partout où cela est possible. Ces pointes sont conçues pour transpercer la moquette et prendre directement contact sur le sol en dur. Avant de les mettre en place, vissez les écrous en les laissant libres, de telle manière qu'ils affleurent la moquette une fois les pointes correctement en contact avec le sol en dur. Vissez complètement les pointes dans leurs inserts filetés, à la base du subgrave. Si le subgrave n'est pas totalement stable sur le sol, dévissez les deux pointes qui ne touchent pas le sol, jusqu'à ce que le subgrave soit parfaitement équilibré sur le sol. Une fois cela assuré, vissez complètement chaque écrou de blocage vers la base du coffret. Il est conseillé de garantir l'équilibrage parfait du subgrave seulement après avoir en avoir précisément déterminé la position dans la pièce d'écoute.

Si le sol n'est pas recouvert de moquette et que vous craignez de le rayer avec les pointes, utilisez entre chaque pointe et le sol une petite pièce métallique (ou simplement une pièce de monnaie), ou bien utilisez les pieds en caoutchouc auto-adhésifs fournis. Ôtez la feuille protectrice de l'adhésif sur chaque pied, puis collez-le fermement dans chaque angle inférieur du subgrave.

La grille frontale à l'avant du subgrave peut être retirée si vous le désirez. Prenez soin de ne jamais toucher aucune des pièces mobiles du haut-parleur, qui pourrait sinon être irrémédiablement endommagé.

Utilisation de plusieurs subgraves

L'utilisation de plusieurs subgraves dans la même installation peut améliorer les performances dans les domaines suivants :

- Maintien de la séparation stéréo sur tout le spectre, même dans les fréquences les plus basses.
- Lissage des phénomènes de résonances de la pièce dans les basses fréquences.
- Niveau de sonore disponible plus élevé.

Dans le cas de deux subgraves utilisés dans une installation audio 2 canaux, la séparation stéréo sera améliorée si chaque canal voit son subgrave positionné le plus près possible de l'enceinte satellite correspondante.

Branchements électriques

Débranchez tous les appareils du système audio/vidéo du réseau électrique tant que le raccordement n'est pas totalement terminé et contrôlé. Vous empêcherez ainsi tout risque de détérioration du matériel en cas de branchement non terminé ou erroné. Le subgrave accepte à la fois des signaux niveau Ligne via ses prises d'entrée Phono RCA (Item 11 sur la Figure 1), ou des signaux niveau haut-parleurs via son bornier de branchement (Item 12 sur la Figure 1). Utilisez le guide suivant pour déterminer quelle est la meilleure méthode de branchement à utiliser dans votre propre installation :

Application : Home Cinema

Subgrave branché directement sur un processeur audio/vidéo, avec amplificateurs de puissance séparés : Figure 2

Subgrave branché directement sur un processeur audio/vidéo, avec amplificateurs de puissance intégrés :

- En utilisant les entrées niveau Ligne : Figure 3
- En utilisant les entrées niveau enceintes acoustiques : Figure 4

Note : on préférera systématiquement l'utilisation des entrées Ligne dans les applications Home Cinema.

Application : audio 2 canaux (stéréo)

Subgrave branché directement sur un amplificateur intégré :

- En utilisant les entrées niveau Ligne : Figure 5
- En utilisant les entrées niveau enceintes acoustiques : Figure 6

Deux subgraves branchés directement sur un amplificateur intégré :

- En utilisant les entrées niveau Ligne : Figure 7
- En utilisant les entrées niveau enceintes acoustiques : Figure 8

Subgrave branché directement sur un ensemble préampli/amplificateur de puissance :

- En utilisant les entrées niveau Ligne : Figure 9
- En utilisant les entrées niveau enceintes acoustiques : Figure 10

Deux subgraves branchés directement sur un ensemble préampli/amplificateur de puissance :

- En utilisant les entrées niveau Ligne : Figure 11
- En utilisant les entrées niveau enceintes acoustiques : Figure 12

Avant la première écoute

Avant même que d'écouter les effets apportés par votre nouveau subgrave et de peaufiner ses réglages, vérifiez deux fois tous les branchements. Vérifiez notamment que :

1. La phase est correcte. Si les entrées niveau enceintes acoustiques sont utilisées, assurez-vous que les entrées positives (+, couleur rouge) du subgrave sont bien reliées aux sorties positives de l'amplificateur, et que les sorties négatives du subgrave (-, couleur noire) sont bien reliées aux sorties négatives de l'amplificateur. Une inversion pourrait se traduire par un son mal défini et des graves manquantes.
2. La confusion gauche/droite est plus facile à mettre en évidence. Elle se traduit par exemple par une mauvaise disposition des différents pupitres de l'orchestre, dans l'image stéréo. Ou, dans une installation Home Cinema, par des déplacements des effets inversés par rapport à ce que l'on voit sur l'image.

Allumage et extinction

Les subgraves seront de préférence allumés les derniers, après allumage de tous les autres maillons de la chaîne, et éteints les premiers. Le sélecteur repéré On/Auto/Standby (Item 2 sur la Figure 1) et l'indicateur de fonctionnement (Item 1 sur la Figure 1) fonctionnent de la manière suivante :

On : Lorsque le commutateur est sur cette position, l'amplificateur est en permanence en mode actif et le témoin lumineux s'éclaire en vert.

Auto : Lorsque vous commutez le subgrave en position « Auto », son amplificateur intégré passe en mode totalement actif et le témoin lumineux s'éclaire en vert. Au bout de 5 minutes, sans signal présent à l'entrée, le subgrave se met automatiquement dans son mode de veille. L'indicateur passe au rouge. Dès qu'un signal est détecté en entrée, l'amplificateur se commut à nouveau en mode actif et le témoin lumineux s'éclaire en vert. Le subgrave se remettra automatiquement en mode de veille s'il n'y a aucun signal présent sur son entrée pendant 5 minutes.

Certains processeurs audio-vidéo utilisent une procédure de réglage automatique qui peut être « interprétée » par le subgrave comme une fonction de mise en veille/activation automatique. Cela peut parfois entraîner des dommages. Nous vous conseillons donc de laisser toujours éteint le subgrave pendant toute la durée de cette procédure automatique.

Standby : Dans cette position Standby, le subgrave devient actif si l'on applique une tension de commutation sur sa prise 12 V Trigger (Item 10 sur la Figure 1). Une tension nulle (0 V) replace le subgrave dans sa position de veille. L'indicateur s'allume en vert quand le subgrave est réellement actif, et rouge quand il est en mode de veille Standby.

Réglages des commandes du subgrave

7 contrôles doivent être pris en considération :

- Le réglage de VOLUME (LINE) niveau Ligne (Item 3 sur la Figure 1)
- Le réglage de VOLUME (SPEAKER) niveau enceintes acoustiques (Item 4 sur la Figure 1)
- Le réglage de la fréquence de coupure (LOW-PASS FREQUENCY) (Item 5 sur la Figure 1)

- Le sélecteur de filtrage passe-bas (LOW-PASS FILTER) (Item 6 sur la Figure 1)
Note : Ceci ne s'applique qu'à l'entrée Ligne LINE. Le filtre reste toujours activé lorsqu'on utilise l'entrée haut-parleurs SPEAKER LEVEL.
- Le sélecteur d'extension du grave BASS (Item 7 sur la Figure 1)
- Le commutateur d'égalisation « EQ » (Item 8 sur la Figure 1)
- Le commutateur de PHASE (Item 9 sur la Figure 1)

Leurs réglages respectifs appropriés dépendent de l'équipement réellement utilisé dans la chaîne en liaison avec le subgrave, et du type de branchements choisis. Si vous utilisez plus d'un seul subgrave, vérifiez que les réglages sur tous les subgraves sont bien identiques.

Note : Les réglages de niveau VOLUME (LINE) et VOLUME (SPEAKER) ne fonctionnent que sur leurs entrées respectives. Celui qui n'est pas utilisé restera de préférence sur sa position Min (minimum).

Réglages en fonctionnement Home Cinema

Réglez le VOLUME (LINE ou SPEAKER) initialement sur sa position 9 heures.

Réglez le sélecteur LOW-PASS FILTER sur sa position repérée OUT.

Réglez le sélecteur EQ sur sa position repérée A.

Réglez le sélecteur de PHASE sur sa position repérée 0°.

Réglez la fréquence de coupure du filtre LOW-PASS FREQ sur sa position repérée 140, si vous utilisez l'entrée niveau enceintes acoustiques. Ce réglage n'a aucun effet si c'est l'entrée niveau Ligne qui est utilisée.

Voir le paragraphe « Réglages fins », plus loin dans ce manuel, pour peaufiner ensuite ces réglages.

Le subgrave n'est pas agréé THX®, mais il peut tout de même être utilisé avec un contrôleur THX® si désiré. Si vous utilisez un contrôleur THX®, assurez-vous que sa fonction « Subwoofer » est bien activée. Celle-ci intègre en effet le filtrage et les réglages de niveau nécessaires au fonctionnement du subgrave, et ce dans tous les modes disponibles. Pour le réglage du niveau (calibration), seuls le générateur de bruit intégré au contrôleur THX® ainsi que ses réglages de niveau devront être employés. Vous devez relever une pression acoustique de 75 dB SPL (pondéré C).

Avec les autres décodeurs, choisissez pour les enceintes avant principales la configuration « small » ou « large », la plus appropriée, avant de débiter les réglages. Utilisez le générateur et les réglages intégrés au décodeur pour calibrer les différentes enceintes du système. Utilisez le réglage de niveau VOLUME du subgrave si la gamme de niveau proposée par le décodeur n'est pas suffisante pour obtenir le même niveau que sur les autres enceintes. Si vous souhaitez obtenir un réglage de grande précision, nous vous recommandons d'acquiescer l'un de ces sonomètres très abordables que l'on trouve dans les magasins de pièces détachées électroniques. Pour le réglage des

différents niveaux, consultez le manuel d'utilisation de votre décodeur/processeur multicanal.

Réglages en fonctionnement Audio 2 canaux

Réglez le VOLUME (LINE ou SPEAKER) initialement sur sa position 9 heures.

Réglez le sélecteur LOW-PASS FILTER sur sa position repérée IN.

Réglez le sélecteur EQ sur sa position repérée A.

Réglez le sélecteur de PHASE sur sa position repérée 0°.

Réglez la fréquence de coupure du filtre LOW-PASS FREQ de telle manière qu'elle corresponde exactement à la fréquence où les satellites montrent une coupure naturelle dans le grave de - 6 dB. Note : cette réponse en fréquence à - 3 dB et - 6 dB est systématiquement indiquée dans les spécifications de toutes les enceintes acoustiques B&W. Si les enceintes satellites n'indiquent que la valeur à - 3 dB, réglez la commande LOW-PASS FREQ entre 0,6 et 0,9 cette valeur. Plus l'enceinte satellite présente une pente de coupure dans le grave douce, plus la fréquence de coupure choisie doit être basse.

Voir le paragraphe « Réglages fins », ci-dessous, pour peaufiner ensuite ces réglages.

Réglages fins Home Cinema

Dans les systèmes Home Cinema, le signal de grave (LFE) est totalement indépendant des signaux reproduits par les autres enceintes de l'installation, et éventuellement de leur section grave reproduite également par le subgrave. La commande LOW-PASS FILTER est donc désactivée sur celui-ci, car c'est le processeur qui se charge de son paramétrage correct, si les enceintes principales sont déclarées en mode « small ». Cependant, la position du réglage PHASE peut, elle, s'avérer importante. Normalement, on le laisse sur sa position 0°. Mais si le subgrave est placé dans une position très éloignée des enceintes frontales, ou si les amplificateurs de puissance qui alimentent celles-ci sont inverseurs de phase, la position 180° peut être préférable. Écoutez soigneusement le résultat obtenu avec le sélecteur dans les deux positions, 0 et 180°, afin de choisir celle qui vous semble donner les meilleurs résultats. S'il n'y a qu'une petite différence, laissez le sélecteur sur la position 0°.

Les processeurs Surround intègrent normalement un générateur de signal test (bruit rose) qui permet d'équilibrer le signal sonore fourni par toutes les enceintes acoustiques, permettant ainsi d'obtenir un équilibre au moins aussi précis qu'en reproduction sonore 2 canaux. Mais n'hésitez pas ensuite à modifier ces réglages théoriques en fonction de vos goûts personnels. Il est également très simple et conseillé de régler le niveau du subgrave, notamment en fonction de certains effets spéciaux dans le grave. Pour des résultats plus réalistes et plus satisfaisants à long terme, il n'est pas rare que l'on doive diminuer le niveau relatif du subgrave par rapport au niveau obtenu avec la procédure de calibration.

Audio 2 canaux

Réglez le système suivant vos préférences en écoutant plusieurs morceaux contenant suffisamment de grave.

Les réglages optimaux des commandes PHASE et LOW-PASS FREQ sont liés entre eux, et dépendent étroitement des caractéristiques de coupure naturelle dans la grave des enceintes satellites. Cela dit, les réglages indiqués ci-dessous sont ceux qui donneront certainement les meilleurs résultats – et la meilleure intégration du subgrave – dans la majorité des situations.

En utilisant les réglages de base, commencez par vérifiez la bonne position du réglage de PHASE. Choisissez la position qui vous semble donner le son le plus « plein » et le plus riche dans la grave. Normalement, c'est la position 0°, mais l'inversion peut être nécessaire dans certains cas, comme la présence d'amplificateurs inverseurs de phase pour les enceintes principales, ou encore un positionnement du caisson de grave très éloigné de ces dernières.

Ensuite, réglez le niveau relatif du subgrave VOLUME (LINE ou SPEAKER) par rapport aux enceintes satellites. Utilisez le plus possible de programmes musicaux pour déterminer ce niveau optimal, selon vos goûts personnels. Un niveau qui vous paraît normal pour tel ou tel enregistrement peut s'avérer trop fort pour tel ou tel autre. Faites aussi vos expérimentations au niveau normal d'écoute, car les résultats varient également en fonction du niveau sonore global.

Enfin, choisissez la fréquence de coupure du filtre passe-bas LOW-PASS FREQ afin d'obtenir la transition la plus douce possible entre le subgrave et les enceintes satellites.

Toutes applications

Le sélecteur repéré BASS EXTENSION propose trois options d'extension du grave offertes par le subgrave. La position A donne l'extension la plus importante, et la position C l'extension la moins importante. La position B propose un compromis entre ces deux extrêmes. Si le système est utilisé dans une grande pièce, à fort volume sonore, limitez l'extension du grave en choisissant la position B ou C ; cela vous garantit aussi que le subgrave ne sera pas utilisé au-delà de ses limites intrinsèques. Mais dans la majorité des installations, ce sélecteur sera utilisé dans sa position A.

Le sélecteur repéré EQ permet de modifier la pente de fonctionnement (roll-off) du subgrave. Les basses que vous entendez sont en fait l'addition du subgrave et des effets des résonances propres à la pièce d'écoute. Vous devez donc, ici, choisir la position du réglage la mieux adaptée à votre pièce d'écoute et à la position du subgrave dans celle-ci. La position A offre une réponse plus « sèche », adaptée à un positionnement du subgrave dans un angle de la pièce, ou permettant de compenser des résonances marquées. La position B est mieux adaptée à une pièce peu résonnante, et un subgrave placé loin des angles de la pièce.

Si vous rencontrez des problèmes avec des basses gonflées et indésirables – certaines notes graves semblent exagérées par rapport aux autres -, il y a certainement chez vous un problème particulier d'interaction de la pièce d'écoute, aggravé par la position du subgrave dans celle-ci. Une simple modification de la position du subgrave – parfois de seulement une quinzaine de centimètres, peut apporter une amélioration très significative. L'utilisation de plusieurs subgraves peut également lisser les effets des résonances avec la pièce, car chaque subgrave tend à exciter des résonances à des fréquences différentes. Si vous modifiez la distance relative entre le ou les subgrave(s) et les autres enceintes du système, tenter de modifier la position du réglage de PHASE. Vous devrez également certainement retoucher le volume du subgrave (en utilisant soit le réglage correspondant des paramétrages du décodeur, soit directement la commande VOLUME du subgrave). N'effectuez ce dernier réglage qu'après avoir définitivement déterminé la position du sélecteur de PHASE.

Entretien

Le coffret du subgrave ne requiert normalement qu'un dépoussiérage régulier. Si vous désirez utiliser un nettoyant antistatique en pulvérisateur, pulvérisez ce produit uniquement sur le chiffon de dépoussiérage, jamais directement sur le coffret. Essayez tout d'abord ses effets sur une petite surface, car certains produits peuvent endommager les parties traitées. Évitez les produits contenant des substances abrasives, ou contenant des acides, de l'ammoniac ou des agents anti-bactériens. N'utilisez jamais aucun produit sur les haut-parleurs. La grille frontale peut être nettoyée avec une brosse à habit classique, après l'avoir doucement retirée de l'enceinte. Évitez de toucher le haut-parleur, ce qui pourrait l'endommager irrémédiablement. Éteignez le subgrave avant toute opération de nettoyage.

Ne pas utiliser le subgrave comme table basse ! Lorsqu'il est en fonctionnement, des objets posés dessus peuvent glisser et tomber. Tout particulièrement, ne posez jamais dessus quelque récipient que ce soit contenant un liquide (par exemple des verres ou un vase avec des fleurs).

Si le système ne doit pas être utilisé pendant une longue période, débranchez le subgrave de son alimentation secteur.

Deutsch

Bedienungsanleitung

Einleitung

Sehr geehrte Kundin, sehr geehrter Kunde,

vielen Dank, dass Sie sich für die Marke Bowers & Wilkins entschieden haben. Bitte lesen Sie sich diese Bedienungsanleitung vor dem Auspacken und der Installation des Produktes genau durch. Dies wird Ihnen bei der optimalen Nutzung des Systems helfen. B&W liefert in über 60 Länder und verfügt über ein weites Netz erfahrener Distributoren, die Ihnen weiterhelfen, auch wenn der Händler Ihr Problem nicht lösen kann.

Umweltinformation



B&W-Produkte entsprechen den internationalen Richtlinien über die Beschränkung der Verwendung bestimmter gefährlicher Stoffe in Elektro- und Elektronikgeräten (Restriction of Hazardous Substances (kurz RoHS genannt)) und über Elektro- und Elektronik-Altgeräte (Waste Electrical and Electronic Equipment (WEEE)). Die hier abgebildeten Symbole stehen für deren Einhaltung und besagen, dass die Produkte ordnungsgemäß recycelt oder diesen Richtlinien entsprechend entsorgt werden müssen. Erkundigen Sie sich diesbezüglich bei der örtlichen Abfallentsorgung.

Kartoninhalt

Im Versandkarton liegen:

- 1 Netzkabel
- 1 Zubehöropaket bestehend aus:
 - 4 M6-Spikes
 - 4 M6-Gummifüßen
 - 4 Sicherungsmuttern (Schlüsselweite 10 mm)

Installation

Der Subwoofer ist sowohl für HiFi-Cinema-Anwendungen als auch zur Steigerung der Bass-Performance von Vollbereichslautsprechern in 2-Kanal-Audiosystemen geeignet. Sollen Audiosysteme ihr volles Leistungspotenzial entfalten, so sind einige Überlegungen hinsichtlich ihrer Installation erforderlich. Nützliche Hinweise hierzu erhalten Sie in dieser Bedienungsanleitung.

Der Subwoofer wird an die Stromversorgung angeschlossen. Daher ist es wichtig, dass Sie sich mit allen Sicherheitshinweisen vertraut machen und alle Warnhinweise beachten. Bewahren Sie die Bedienungsanleitung für eine spätere Wiederverwendung gut auf.

Anschlussmöglichkeiten und Bedienelemente des Subwoofers (Figure (Abb.) 1)

1. LED-Anzeige
2. On/Auto/Stand-By-Schalter
3. Lautstärkeregler (LINE)
4. Lautstärkeregler (SPEAKER)
5. Regler zur Einstellung der Tiefpassfrequenz (LOW-PASS FREQ)
6. Schalter zum Ein-/Ausschalten des Tiefpass-Filters (LOW-PASS FILTER)

7. BASS EXTENSION-Schalter
8. EQ-Schalter
9. Phasenschalter (PHASE)
10. 12 V TRIGGER-Eingang
11. Eingangsbuchsen (LINE IN)
12. Anschlussklemmen (SPEAKER LEVEL IN)
13. Netzeingang
14. Externer Sicherungshalter

Einsatzbereiche des Subwoofers

Die Hauptfunktion eines Subwoofers besteht in der Reproduktion der Signale des LFE (Low Frequency Effects)-Kanals eines A/V-Prozessors. Darüber hinaus kann der Prozessor so konfiguriert werden, dass der Tiefbassanteil einiger oder aller anderen Kanäle der LFE-Information hinzugefügt wird. Dabei werden beim Setup des Prozessors in der Regel die „Kleinen“ Lautsprecher ausgewählt.

Bei 2-Kanal-Anwendungen wird ein Subwoofer genutzt, um die Bässe, die von den Satellitenlautsprechern nicht wiedergegeben werden können, zu reproduzieren. Das Tiefpass-Filter des Subwoofers muss so eingestellt werden, dass der Subwoofer an der Stelle die Wiedergabe übernimmt, an der die Satellitenlautsprecher überfordert sind.

Subwoofer-Positionierung und -Installation

Das Ohr nimmt die Quelle zur Wiedergabe von tiefen Frequenzen kaum wahr, so dass die Positionierung des Subwoofers im Vergleich zu den Vollbereichslautsprechern im Allgemeinen weniger kritisch ist. Die besten Ergebnisse werden jedoch erzielt, wenn der Subwoofer zwischen dem linken und dem rechten Lautsprecher oder in der Nähe eines dieser Lautsprecher platziert wird. Werden zwei Subwoofer eingesetzt, so sollten Sie einen neben den linken und den anderen neben den rechten Lautsprecher stellen. Steht der Subwoofer hinter der Hörposition, so führt dies – auch in Mehrkanal-Surround-Installationen – im Allgemeinen zu einem schlechteren Klangbild. Dies kann aber trotzdem ein akzeptabler Kompromiss sein, wenn die räumlichen Gegebenheiten es nicht anders zulassen.

Wie bei allen Lautsprechern, wird der Klang des Subwoofers durch die Nähe von Wänden beeinflusst. Der Bass wird intensiver, je größer die Oberflächen in nächster Nähe der Lautsprecher sind. Im Gegensatz zu Vollbereichslautsprechern kann die Klangbalance des Gesamtsystems einfach durch Einstellen des Subwoofer-Lautstärkepegels optimiert werden. Je größer die Verstärkung durch den Raum ist, desto niedriger kann die Lautstärke eingestellt werden und desto weniger muss der Subwoofer leisten. Jedoch hat dies nicht nur Vorteile. So werden tiefe Raumresonanzen durch die Platzierung in den Ecken eines Raumes verstärkt, wodurch die Tieftonwiedergabe nicht im Einklang mit der Frequenz steht. Letztendlich gibt es kein Patentrezept, da sich der Klang mit dem Raum verändert. Daher sollten Sie mehrere Positionen ausprobieren, bevor Sie eine Entscheidung treffen. Ein Musikstück mit längeren, variierenden Basspassagen

erleichtert die Einstellung, um schließlich eine erstklassige Tieftonwiedergabe sicherzustellen. Achten Sie auf betonte oder ruhigere Passagen.

Wird der Subwoofer auf begrenztem Raum betrieben (z.B. in speziellem Mobiliar), muss für eine ausreichende Belüftung des Gerätes gesorgt werden. Lassen Sie sich von Ihrem autorisierten Fachhändler beraten.

Der Subwoofer ist so konzipiert, dass er auf den Boden gestellt wird. Stellen Sie unbedingt sicher, dass der Subwoofer fest auf dem Boden steht. Benutzen Sie daher, wann immer möglich, die beiliegenden Spikes. Die Spikes sind so ausgelegt, dass sie sich durch den Teppich bohren und auf der Bodenoberfläche aufliegen. Schrauben Sie zunächst die Sicherungsmuttern so auf die Spikes, dass sie sich oberhalb des Teppichs befinden, wenn die Spikes darunter auf dem Boden aufliegen. Schrauben Sie die Spikes vollständig in die Gewinde am Lautsprecherboden. Steht das Gerät instabil, so lösen Sie die beiden auf dem Boden aufliegenden Spikes so lange, bis die optimale Standfestigkeit erreicht ist. Ziehen Sie nun die Sicherungsmuttern gegen das Gehäuse fest. Sie können sich das Anbringen und Einstellen der Spikes erleichtern, indem Sie zunächst die optimale Lautsprecherposition festlegen.

Liegt kein Teppich und möchten Sie ein Zerkratzen der Bodenoberfläche vermeiden, so verwenden Sie entweder eine Schutzscheibe aus Metall (etwa eine Münze) und legen diese zwischen Spike und Boden oder Sie nutzen die zum Lieferumfang gehörenden GummifüÙe. Schrauben Sie die GummifüÙe in die an der Unterseite des Gehäuses befindlichen Gewinde.

Die an der Subwooferfront befindliche Abdeckung kann gegebenenfalls abgenommen werden. Berühren Sie jedoch auf keinen Fall die beweglichen Teile der Chassis, da hierdurch Beschädigungen hervorgerufen werden können.

Einsatz von mehr als einem Subwoofer

Durch den Einsatz von mehr als einem Subwoofer kann die Performance des Systems folgendermaßen verbessert werden:

- Bis hin zu den tiefsten Frequenzen ist eine präzise Stereokanaltrennung sichergestellt.
- Der Klang wird im Hinblick auf Raumresonanzen, die bei tiefen Frequenzen auftreten, optimiert.
- Ein höherer maximaler Lautstärkepegel wird möglich.

Bei Verwendung von zwei Subwoofern in einem 2-Kanal-Audiosystem wird die Stereokanaltrennung nur verbessert, wenn jeder Kanal seinen eigenen Subwoofer hat, der in der Nähe des jeweiligen Satellitenlautsprechers platziert ist.

Elektrische Anschlüsse

Schließen Sie die zum System gehörenden Geräte erst an das Netz an, wenn die Signalverbindungen hergestellt und geprüft worden sind. Der Subwoofer akzeptiert über die Cinch-Eingänge Hochpegelsignale (Punkt 11 in Figure (Abb.) 1) und über die Anschlussklemmen Speaker Level-Signale (Punkt 12 in Figure (Abb.) 1). Im

Folgenden erhalten Sie Hinweise zur Auswahl der geeigneten Anschlussmethoden in Ihrem System:

Anwendung: HiFi-Cinema

Der Subwoofer ist an einen A/V-Prozessor angeschlossen, der wiederum mit separaten Endstufen verbunden ist: Figure (Abb.) 2

Der Subwoofer ist an einen A/V-Prozessor mit integrierten Endstufen angeschlossen:

- Einsatz der Hochpegeleingänge: Figure (Abb.) 3
- Einsatz der Speaker Level-Eingänge: Figure (Abb.) 4

Hinweis: Bei HiFi-Cinema-Anwendungen ist es stets besser, den Subwoofer über seine Hochpegeleingänge anzuschließen.

Anwendung: 2-Kanal-Audio

Der Subwoofer ist an einen Vollverstärker angeschlossen:

- Einsatz der Hochpegeleingänge: Figure (Abb.) 5
- Einsatz der Speaker Level-Eingänge: Figure (Abb.) 6

Zwei Subwoofer sind an einen Vollverstärker angeschlossen:

- Einsatz der Hochpegeleingänge: Figure (Abb.) 7
- Einsatz der Speaker Level-Eingänge: Figure (Abb.) 8

Der Subwoofer ist an eine Vor-/Endstufenkombination angeschlossen:

- Einsatz der Hochpegeleingänge: Figure (Abb.) 9
- Einsatz der Speaker Level-Eingänge: Figure (Abb.) 10

Zwei Subwoofer sind an eine Vor-/Endstufenkombination angeschlossen:

- Einsatz der Hochpegeleingänge: Figure (Abb.) 11
- Einsatz der Speaker Level-Eingänge: Figure (Abb.) 12

Vor der Inbetriebnahme

Bevor Sie mit der Klangoptimierung Ihres neuen Systems beginnen und die Komponenten aufeinander abstimmen, sollten Sie noch einmal die Anschlüsse prüfen. Stellen Sie sicher, dass:

1. Die Polarität korrekt ist. Vergewissern Sie sich bei Anschluss an die Speaker Level-Anschlussklemmen, dass die positiven Anschlussklemmen am Subwoofer (mit + und rot gekennzeichnet) mit den positiven Ausgangsanschlüssen des Verstärkers und die negativen Anschlussklemmen am Subwoofer (mit – und schwarz gekennzeichnet) mit den negativen Ausgangsanschlüssen des Verstärkers verbunden werden. Durch falsches Anschließen wird der Klang unpräzise und der Bass schwach.
2. Die Signale aus dem linken und rechten Kanal nicht vermischt werden. Das kann beispielsweise dazu führen, dass die Musik eines Orchesters genau seitenverkehrt wahrgenommen wird oder, was noch gravierender ist, dass der Ton aus Ihrer HiFi-Cinema-Anlage nicht zur Handlung auf dem Bildschirm passt.

Ein- und Ausschalten

Subwoofer sollten nach den anderen Geräte ein- und vor den anderen Geräten abgeschaltet werden. Der On/Auto/Stand-By-Schalter (Punkt 2 in Figure (Abb.) 1) funktioniert folgendermaßen:

On: Befindet sich der Schalter in dieser Position, ist der Subwoofer permanent eingeschaltet. Die LED-Anzeige leuchtet grün.

Auto: Wird der Schalter in die Auto-Position gesetzt, wird der Subwoofer zunächst vollständig aktiviert. Die LED-Anzeige leuchtet grün. Liegt fünf Minuten lang kein Eingangssignal an, schaltet der Subwoofer automatisch in den Standby-Modus. Die LED-Anzeige leuchtet rot. Wird ein Eingangssignal empfangen, schaltet sich der Subwoofer automatisch ein. Die LED-Anzeige leuchtet grün. Liegt fünf Minuten lang kein Eingangssignal an, schaltet der Subwoofer automatisch in den Standby-Modus.

A/V-Prozessoren mit „automatischem“ Setup können unter Umständen „Probleme“ mit Subwoofern haben, die eine Auto-/Standby-Funktion besitzen. Dies kann möglicherweise zu Schäden führen. Lassen Sie den Schalter am besten in der On-Position, wenn solch ein Prozessor genutzt wird.

Stand-By: Haben Sie für den Schalter die Stand-By-Position gewählt, wird der Subwoofer aktiviert, wenn am Trigger-Eingang 12 V anliegen (Punkt 10 in Figure (Abb.) 1). Die LED-Anzeige leuchtet grün. Bei 0 V am Eingang schaltet der Subwoofer in den Standby-Modus. Die LED-Anzeige leuchtet rot.

Einstellen der Regler bzw. Schalter des Subwoofers

Es stehen sieben Regler bzw. Schalter zur Verfügung:

- Lautstärkeregler (LINE) – Punkt 3 in Figure (Abb.) 1
- Lautstärkeregler (SPEAKER) – Punkt 4 in Figure (Abb.) 1
- Regler zur Einstellung der Tiefpassfrequenz (LOW-PASS FREQ) – Punkt 5 in Figure (Abb.) 1
- Schalter zum Ein-/Ausschalten des Tiefpass-Filters (LOW-PASS FILTER) – Punkt 6 in Figure (Abb.) 1
Hinweis: Dies gilt nur für den Hochpegeleingang. Das Filter befindet sich immer in einem Schaltkreis mit dem Eingang SPEAKER LEVEL.
- BASS EXTENSION-Schalter – Punkt 7 in Figure (Abb.) 1
- EQ-Schalter – Punkt 8 in Figure (Abb.) 1
- Phasenschalter (PHASE) – Punkt 9 in Figure (Abb.) 1

Die jeweiligen Einstellungen hängen von dem mit dem Subwoofer verbundenen Equipment und den Anschlussmodi zusammen. Verwenden Sie mehr als einen Subwoofer, so stellen Sie sicher, dass die gewählten Einstellungen für alle die gleichen sind.

Hinweis: Die Lautstärkeregler LINE und SPEAKER funktionieren nur bei Nutzung der entsprechenden Eingänge. Ein nicht genutzter Lautstärkeregler sollte am besten auf Min gesetzt werden.

Einstellungen bei HiFi-Cinema-Anwendungen

Setzen Sie den Lautstärkeregler (LINE oder SPEAKER) zunächst auf 9 Uhr.

Setzen Sie den Schalter LOW-PASS FILTER auf OUT.

Setzen Sie den EQ-Schalter zunächst auf A.

Setzen Sie den Phasenschalter (PHASE) zunächst auf 0°.

Setzen Sie den Regler zur Einstellung der Tiefpassfrequenz (LOW-PASS FREQ) auf 140, wenn die Speaker Level-Eingänge genutzt werden. Die Einstellung ist unerheblich, wenn die Hochpegeleingänge (LINE IN) verwendet werden.

Weitere Einzelheiten entnehmen Sie bitte dem Abschnitt „Feinabstimmung“.

Der Subwoofer ist keine THX®-lizenzierte Komponente, kann aber gegebenenfalls an einen THX®-Controller angeschlossen werden. Bei Einsatz eines THX®-Controllers stellen Sie sicher, dass die Subwoofer-Funktion aktiviert ist. Dazu gehört das Einstellen des Filters und des Pegels, wie es für den Subwoofer in allen Modi erforderlich ist. Nutzen Sie für die PegelEinstellung die internen Testtöne (rosa Raschen) und die Kanal-Einstellmöglichkeiten, die der THX®-Controller bietet. Auf alle Fälle sollte der mit Hilfe der Testtöne ermittelte Pegel an der Hörposition 75 dB SPL (Messgerät in Position C) betragen.

Bei Nutzung anderer Prozessoren setzen Sie die Front- und Surroundlautsprecher auf „Groß“ oder „Klein“, bevor Sie mit dem Einpegeln beginnen. Nutzen Sie die internen Testtöne und Einstellmöglichkeiten des Prozessors zum Einpegeln aller Lautsprecher. Verwenden Sie den Lautstärkeregler am Subwoofer nur, wenn die Möglichkeiten am Prozessor nicht ausreichen, um die richtigen Pegel einzustellen. Preiswerte SPL-Meter sind in jedem Elektronikfachgeschäft zu finden. Der Bedienungsanleitung zu Ihrem Prozessor können Sie weitere Einzelheiten zum Einpegeln entnehmen.

Einstellungen bei 2-Kanal-Audio-Anwendungen

Setzen Sie den Lautstärkeregler (LINE oder SPEAKER) zunächst auf 9 Uhr.

Setzen Sie den Schalter LOW-PASS FILTER auf IN.

Setzen Sie den EQ-Schalter zunächst auf A.

Setzen Sie den Phasenschalter (PHASE) zunächst auf 0°.

Stellen Sie den Regler zur Einstellung der Tiefpassfrequenz (LOW-PASS FREQ) passend so ein, dass sie zur Trennfrequenz (-6 dB) der Satellitenlautsprecher passt. In den Technischen Daten jedes B&W-Lautsprechermodells finden Sie sowohl den Wert -3 dB als auch den Wert -6 dB. Gibt der Hersteller der Satellitenlautsprecher nur -3 dB an, liegt die optimale Einstellung für den Regler zur Einstellung der Tiefpassfrequenz (LOW-PASS FREQ) zwischen dem 0,6fachen und dem 0,9fachen dieser Zahl.

Weitere Informationen erhalten Sie im Abschnitt „Feinabstimmung“.

Feinabstimmung

HiFi-Cinema

Das Subwoofer(LFE)-Signal ist in HiFi-Cinema-Anwendungen eher ein separater Kanal als eine Signalenergieerweiterung zu den Satellitenlautsprechern. Setzen Sie den Schalter zum Ein-/Ausschalten des Tiefpass-Filters (LOW-PASS FILTER) auf Out, da der Prozessor die Filterfunktion für die auf „Klein“ eingestellten Lautsprecher übernimmt. Jedoch ist immer noch die optimale Position für den Phasenschalter (PHASE) zu finden. In der Regel wird dieser Schalter auf 0° gesetzt. Steht der Subwoofer deutlich von den anderen Lautsprechern entfernt oder kehrt der die anderen Lautsprecher antreibende Endverstärker das Signal um, so ist möglicherweise die 180°-Position zu bevorzugen. Setzen Sie den Schalter in beide Positionen und entscheiden Sie sich für diejenige, bei der der Klang am vollsten ist. Ist kein deutlicher Unterschied wahrnehmbar, lassen Sie den Schalter auf 0°.

Surround-Prozessoren verfügen normalerweise über einen eingebauten Testtongenerator, der zur Einstellung der relativen Pegel aller Lautsprecher genutzt werden kann. Sie sollten sich jedoch nicht scheuen, die Einstellungen nach Ihrem persönlichen Geschmack zu verändern. Man neigt häufig dazu, sich von den Möglichkeiten, die der Subwoofer (besonders bei Spezialeffekten) bietet, beeindrucken zu lassen. Oftmals ist aber eine realistischere Wiedergabe langfristig zufriedenstellender. Dazu sollte die Einstellung des Subwooferpegels unter dem Standardpegel liegen.

2-Kanal-Audio

Setzen Sie das System in die von Ihnen bevorzugte Position und spielen Sie Stücke mit kontinuierlichen Basspassagen.

Die optimalen Einstellungen des Phasenschalters (PHASE) und des Reglers zur Einstellung der Tiefpassfrequenz (LOW-PASS FREQ) sind voneinander und von der Trennfrequenz der Satellitenlautsprecher abhängig. Jedoch sind die oben empfohlenen Einstellungen dieser Bedienelemente für den Betrieb mit den meisten Satellitenlautsprechern geeignet. Nutzen Sie die ursprünglichen Einstellungen und prüfen Sie die Einstellung des Phasenschalters (PHASE). Wählen Sie die Option, bei der der Klang am vollsten ist. Normalerweise stellt die empfohlene Option das Optimum dar, unter bestimmten Umständen kann es aber auch anders sein. Das kann zutreffen, wenn die Endverstärker, die die Satellitenlautsprecher antreiben, das Signal umkehren oder wenn der Subwoofer nicht in der Nähe der Satellitenlautsprecher steht.

Stellen Sie nun den Lautstärkeregler des Subwoofers (LINE oder SPEAKER) relativ zu den Satelliten systemen entsprechend Ihren Wünschen ein. Nutzen Sie eine große Bandbreite an Programmen, um eine Einstellung zu bekommen, die in den meisten Fällen für ein gutes Ergebnis sorgt. Eine Einstellung, die in einem Fall beeindruckend wirkt, kann an anderer Stelle störend sein. Hören Sie bei einem realistischen Lautstärkepegel, da sich die Wahrnehmung der musikalischen Balance mit dem Schallpegel ändert.

Stellen Sie zum Schluss den Regler zur Einstellung der Tiefpassfrequenz (LOW-PASS FREQ) so ein, dass ein homogener Übergang zwischen dem Subwoofer und den Satellitenlautsprechern gewährleistet ist.

Alle Anwendungen

Der BASS EXTENSION-Schalter des Subwoofers bietet drei Einstellmöglichkeiten. Bei Position A ist die Bassenergieerweiterung am größten und bei Position C am geringsten. Position B liegt zwischen den beiden anderen. Wird das System bei sehr hohen Lautstärkepegeln oder in einem großen Hörraum betrieben, kann eine Einschränkung der Bassenergieerweiterung durch Auswahl von Position B oder Position C dabei helfen, dass der Subwoofer nicht über seine Grenzen hinaus belastet wird. In den meisten Situationen sollte der BASS EXTENSION-Schalter in Position A gelassen werden.

Der EQ-Schalter bietet zwei Einstellmöglichkeiten. Der Bass, den Sie hören, ist eine Mischung aus dem Subwoofer und den Raumklangeffekten. Sie sollten sich für die Einstellung entscheiden, die dem Raum und der Position des Subwoofers in diesem Raum am besten gerecht wird. Position A ist besser geeignet, wenn sich der Subwoofer in der Ecke oder in einem resonanzstarken Raum befindet. Setzen Sie den Schalter bei geringeren Raumresonanzen und wenn der Subwoofer nicht in der Ecke steht in Position B.

Werden bestimmte Basspassagen mehr betont als andere, ist der Klang der Anlage vermutlich nicht optimal an den Raum angepasst. Hierbei lohnt es sich, die Position des Subwoofers so lange zu verändern, bis er optimal platziert ist. Selbst kleinste Änderungen in der Position – beispielsweise 15 cm – können einen erheblichen Einfluss auf den Klang haben. Der Einsatz von mehreren Subwoofern kann die Wirkung von Raumresonanzen mildern, da jeder Subwoofer in unterschiedlichen Frequenzbereichen Resonanzen erzeugen wird. Wird der relative Abstand vom Subwoofer/von den Subwoofern und den Satellitenlautsprechern zur Hörposition verändert, kann es unter Umständen erforderlich sein, die Einstellung des Phasenschalters (PHASE) zu ändern. Ferner ist die Lautstärkeeinstellung des Subwoofers zu prüfen (entweder über die Ausgangspegel des Prozessors oder den Lautstärkeregler des Subwoofer-Verstärkers), aber erst, nachdem die Phase korrekt eingestellt worden ist.

Pflege

Die Gehäuseoberflächen müssen in der Regel nur abgestaubt werden. Bei Verwendung eines Aerosol- oder sonstigen Reinigers entfernen Sie die Abdeckung vorsichtig vom Gehäuse. Sprühen Sie den Reiniger zunächst auf ein Tuch, nicht direkt auf das Gerät. Testen Sie zunächst an einer kleinen, unauffälligen Stelle, da einige Reinigungsprodukte die Oberflächen beschädigen. Verwenden Sie keine scharfen bzw. säure- oder alkalihaltigen oder antibakteriellen Produkte. Verwenden Sie für die Chassis keine Reinigungsmittel. Der Stoff kann nach dem Entfernen der Abdeckung mit einer normalen Kleiderbürste gereinigt werden. Vermeiden Sie es, das Lautsprecherchassis

zu berühren, da dies zu Beschädigungen führen kann. Schalten Sie den Subwoofer vor dem Reinigen ab.

Benutzen Sie den Subwoofer nicht als Ablagefläche. Auf der Oberfläche abgestellte Gegenstände können wackeln und so die Klangqualität beeinträchtigen. Insbesondere Flüssigkeiten (beispielsweise Getränke oder Blumenvasen mit Wasser) sollten niemals auf den Subwoofer gestellt werden.

Wird das System für längere Zeit nicht in Betrieb genommen, ziehen Sie den Netzstecker aus der Steckdose.

Español

Manual de instrucciones

Introducción

Querido cliente,

Gracias por haber elegido a Bowers & Wilkins. Le rogamos que lea cuidadosamente el presente manual antes de desembalar e instalar el producto ya que ello le ayudará a optimizar las prestaciones de este último. B&W mantiene una red de importadores altamente motivados en más de 60 países que le ayudarán a resolver cualquier problema que su detallista no pueda solucionarle.

Información Relativa al Medio Ambiente



Los productos B&W han sido diseñados para satisfacer la normativa internacional relativa a la Restricción del Uso de Sustancias Peligrosas (RoHS) en equipos eléctricos y electrónicos y la eliminación de Desperdicios Referentes a Equipos Eléctricos y Electrónicos (WEEE). El símbolo con el cubo de la basura tachado indica el pleno cumplimiento de estas directrices y que los productos correspondientes deben ser reciclados o procesados adecuadamente en concordancia con las mismas. Para recibir orientación sobre cómo deshacerse de este producto de la manera apropiada, consulte con su organización de recogida de desperdicios local.

Contenido de la Caja del Embalaje

Verifique que la caja contenga:

- 1 Cable de alimentación
- 1 Paquete de accesorios que contiene:
 - 4 puntas metálicas desacoplo M6
 - 4 pies de desacoplo de goma M6
 - 4 tuercas de bloqueo (con arandelas planas de 10 mm)

Instalación

El subwoofer ha sido diseñado tanto para instalaciones de Cine en Casa como para incrementar la respuesta en graves de cajas acústicas de gama completa ("full range") en sistemas de audio de 2 canales. Todas las instalaciones de audio requieren algo de reflexión si se desea que rindan al máximo de sus posibilidades, por lo que este manual está pensado para guiar al usuario a lo largo del proceso que lo hace posible.

El subwoofer necesita ser conectado a una toma de corriente eléctrica alterna, por lo que es importante que usted se familiarice con las instrucciones de seguridad y respete todas las advertencias. Mantenga este manual en un lugar seguro y de fácil acceso para el caso de que necesite consultarlo en el futuro.

El Panel de Conexiones y Control del Subwoofer (Figura 1)

1. Indicador de estado.
2. Conmutador de Puesta en Marcha, Arranque Automático y Modo de Espera ("Standby").
3. Nivel de volumen de la entrada de línea.
4. Nivel de volumen de la entrada de nivel alto.
5. Frecuencia de corte del filtro paso bajo.
6. Conmutador de selección del filtro paso bajo.
7. Conmutador de extensión de la respuesta en graves.
8. Conmutador de equalización.
9. Conmutador de inversión de la fase absoluta.
10. Entrada para señal de disparo de 12 V.
11. Conectores (izquierdo y derecho) de la entrada de línea.
12. Terminales de conexión (izquierdo y derecho) de las entradas de nivel alto.
13. Entrada de alimentación.
14. Portafusibles externo.

Aplicaciones de los Subwoofers

La función primaria de un subwoofer consiste en reproducir las señales correspondientes al canal de Efectos de Baja Frecuencia (LFE). Además, el procesador de sonido envolvente puede ser configurado para desviar la sección de graves de algunos o todos los demás canales y añadiría a la información LFE configurando dichas cajas acústicas en "small" ("pequeñas") durante su puesta a punto inicial.

En las aplicaciones de audio de 2 canales, el subwoofer es utilizado para extender la respuesta en graves más allá de las posibilidades de las cajas acústicas de que se disponga (habitualmente denominadas "satélites" si son de tipo compacto). El filtro paso bajo del subwoofer debería ser ajustado de tal modo que este último comience a trabajar justo en el punto en que la respuesta en graves de las cajas acústicas del equipo empiece a disminuir de manera natural.

Colocación e Instalación del Subwoofer

Puesto que el oído humano tiene poca sensibilidad a la ubicación de fuentes de baja frecuencia, la posición de los subwoofers en la sala de escucha resulta menos crítica en comparación a la de las cajas acústicas convencionales de gama completa. Dicho esto, los mejores resultados se obtienen si el subwoofer es colocado entre las cajas acústicas principales izquierda y derecha o en las cercanías de una de ellas. Si utiliza dos subwoofers, es mejor situar uno cerca de la caja acústica izquierda y otro cerca de la caja acústica derecha. La colocación del subwoofer detrás de los oyentes, incluso en instalaciones de sonido envolvente multicanal, suele proporcionar una imagen sonora de inferior calidad aunque puede constituir un compromiso aceptable en caso de que lo dicten las consideraciones domésticas.

Tal y como sucede con todas las cajas acústicas, la proximidad de las paredes de la sala afecta al sonido de un subwoofer. Generalmente, los graves sufren un incremento en su nivel cuanto más superficies haya en las cercanías de los altavoces que los producen. Sin embargo, y contrariamente a lo que sucede con las cajas acústicas de gama completa, usted siempre puede restaurar el correcto balance tonal global del sistema ajustando el nivel de volumen del subwoofer. Cuando más realce aplique a los graves presentes en su sala, menos tendrán que trabajar los otros altavoces. Pero también hay un punto oscuro: la ubicación del subwoofer en las esquinas de la sala suele excitar con más intensidad las resonancias (modos propios) de baja frecuencia de la misma, desequilibrando los graves con respecto al resto de frecuencias. No existe ninguna alternativa a la experimentación pura y simple puesto que cada sala se comporta de manera diferente; en consecuencia, evalúe la respuesta del subwoofer en una amplia variedad de posiciones antes de tomar una decisión definitiva. Una melodía con un bajo que ascienda o descienda progresivamente en la escala musical resulta muy útil para evaluar la suavidad de la respuesta en graves. Escuche atentamente tanto los párrafos más exagerados como los más suaves.

Si el subwoofer va a ser utilizado en un espacio restringido (por ejemplo el interior de un mueble hecho a medida), dicho espacio debe estar ventilado con el fin de permitir que haya una circulación de aire suficiente para refrigerar el aparato. Consulte a su detallista para que le asesore al respecto.

Si el subwoofer ha sido diseñado para ser ubicado únicamente en el suelo, es importante asegurarse de que descansen firmemente sobre este último con ayuda –por poco que sea posible– de las puntas de desacoplo suministradas de serie. Dichas puntas han sido diseñadas para perforar cualquier alfombra y descansar sobre la superficie del suelo. Para empezar, inserte las tuercas de bloqueo en las puntas de desacoplo de tal modo que aquéllas permanezcan ligeramente por encima de la alfombra cuando las puntas estén debajo de esta última. Si el recinto se mueve cuando está situado sobre el suelo, afloje las dos puntas que no contacten con este último hasta que el recinto descansa firmemente sin moverse. Finalmente, fije firmemente las tuercas contra el recinto. Puede resultar más cómodo colocar y ajustar las puntas de desacoplo una vez optimizada la ubicación del recinto.

Si no hay ninguna alfombra y desea evitar la presencia de arañazos en la superficie del suelo, coloque un disco protector metálico (una moneda podría servir) entre la punta y el suelo o utilice los pies de goma suministrados de serie. Coloque los pies de goma enroscando uno en cada uno de los orificios dispuestos para ello en la zona inferior del recinto.

Si el usuario así lo desea, es posible retirar la rejilla protectora del panel frontal del subwoofer. No obstante, procure no tocar las partes móviles del altavoz ya que podrían producirse daños en este último.

Uso de Varios Subwoofers

El empleo de más de un subwoofer en una misma instalación puede mejorar las prestaciones sonoras de la siguiente manera:

- Manteniendo la separación estereofónica en las frecuencias más bajas.
- Permitiendo unos niveles de presión sonora más elevados.
- Suavizando los efectos de las resonancias de baja frecuencia de la sala de escucha.

En el caso concreto de dos subwoofers utilizados en un sistema de audio de 2 canales, la separación estereofónica sólo mejorará si cada canal tiene su propio subwoofer cerca de la correspondiente caja acústica.

Conexiones Eléctricas

Desconecte todos los componentes de su equipo de sonido de la red eléctrica hasta que haya realizado y comprobado todas las conexiones de señal. De este modo evitará el riesgo de que se produzcan daños en caso de que se realicen conexiones incorrectas. El subwoofer puede aceptar tanto señales de nivel de línea como de nivel alto a través, respectivamente, de los terminales RCA (Elemento 11 de la Figura 1) y los bornes para conexión de cajas acústicas (Elemento 12 de la Figura 1) ubicados en su panel posterior. Utilice la siguiente guía para seleccionar el modo de conexión más adecuado para su instalación:

Aplicación: Cine en Casa

Subwoofer conectado a un Procesador de A/V con etapas de potencia separadas: Figura 2.

Subwoofer conectado a un Procesador de A/V con amplificadores de potencia integrados:

- utilizando entradas de línea: Figura 3.
- utilizando entradas de nivel alto: Figura 4.

Nota: En las aplicaciones de Cine en Casa se recomienda la conexión del subwoofer mediante las entradas de línea.

Aplicación: Audio de 2 Canales

Subwoofer conectado a un Amplificador Integrado.

- utilizando entradas de línea: Figura 5.
- utilizando entradas de nivel alto: Figura 6.

Dos Subwoofers conectados a un Amplificador Integrado.

- utilizando entradas de línea: Figura 7.
- utilizando entradas de nivel alto: Figura 8.

Subwoofer conectado a un conjunto Previo/Etapa de Potencia.

- utilizando entradas de línea: Figura 9.
- utilizando entradas de nivel alto: Figura 10.

Dos Subwoofers conectados a un conjunto Previo/Etapa de Potencia.

- utilizando entradas de línea: Figura 11.
- utilizando entradas de nivel alto: Figura 12.

Antes de Empezar

Antes de proceder a la evaluación de la calidad sonora de su nueva instalación y a realizar el ajuste fino de la misma, compruebe las conexiones efectuadas. Asegúrese de que:

1. La puesta en fase sea correcta. Si se utilizan las entradas de nivel alto, asegúrese de que los terminales positivos del subwoofer (designados por + y de color rojo) estén conectados a los terminales de salida positivos del amplificador y que los terminales negativos del subwoofer (designados por - y de color negro) estén conectados a los terminales de salida negativos del amplificador. Si la conexión es incorrecta, es posible que se obtenga un sonido difuso, una falta manifiesta de graves o una combinación de ambas cosas.
2. No haya cruces entre los canales izquierdo y derecho, hecho que podría derivar en, por ejemplo, que una orquesta estuviese situada en la posición incorrecta o, peor aún, los sonidos de su sistema de Cine en Casa fueran en dirección opuesta a la de la acción que transcurre en la pantalla.

Puesta en Marcha y Desconexión

Le recomendamos que ponga en marcha el subwoofer en el momento en que cualquier componente del equipo le envíe una señal. Del mismo modo, en el momento de apagar el sistema desconecte el subwoofer en primer lugar. El conmutador de Puesta en Marcha/Arranque Automático/Modo de Espera (Elemento 2 de la Figura 1) y el Indicador de Estado (Elemento 1 de la Figura 1) funcionan del siguiente modo:

On: Con el conmutador en esta posición, el subwoofer permanecerá siempre activado y el indicador se iluminará en color verde.

Auto: Con el conmutador en esta posición, la primera vez que ponga en marcha el subwoofer el amplificador interno se colocará en su posición de pleno funcionamiento y el indicador luminoso se situará en color verde. Al cabo de un periodo de unos 5 minutos sin señal de entrada, el subwoofer volverá automáticamente a la posición de espera y el indicador luminoso cambiará de nuevo a color rojo. Cuando se detecte una señal en la entrada, el subwoofer se situará automáticamente en su posición de pleno funcionamiento y el indicador luminoso cambiará a color verde. El subwoofer regresará al modo de espera al cabo de 5 minutos de ausencia de señal en su entrada.

Es posible que los procesadores de A/V equipados con un procedimiento de calibración automática sean "confundidos" por los subwoofers que incluyan una función de arranque/modo de espera automático, hasta el punto de que se produzca una condición de funcionamiento potencialmente perjudicial para el equipo. En el caso de que se utilice uno de tales procesadores, es mejor dejar el(los) subwoofer(s) en su modo de pleno funcionamiento durante el proceso de configuración.

Standby: En esta posición, el subwoofer se activará cuando se aplique una señal de 12 voltios continuos a su Entrada Trigger (Elemento 10 de la Figura 1). La presencia de 0 voltios en dicha entrada hará que el subwoofer regrese al modo de espera. El indicador luminoso parpadeará en color verde cuando el subwoofer esté activado y en rojo cuando el subwoofer esté en el modo de espera.

Ajuste de los Controles del Subwoofer

Hay 7 controles a considerar:

- El control VOLUME (LINE) (Elemento 3 de la Figura 1).
- El control VOLUME (SPEAKER) (Elemento 4 de la Figura 1).
- El control LOW-PASS FREQ (frecuencia) (Elemento 5 de la Figura 1).
- El conmutador LOW-PASS FILTER (Elemento 6 de la Figura 1).
Nota: Esto se aplica solamente a la entrada LINE. Cuando se utiliza la entrada de nivel alto (SPEAKER LEVEL), el filtro siempre está activado.
- El conmutador de Extensión BASS (Elemento 7 de la Figura 1).
- El conmutador de Ecuación EQ (Elemento 8 de la Figura 1).
- El conmutador de selección de la fase PHASE (Elemento 9 de la Figura 1).

Los ajustes apropiados dependen del resto de componentes utilizados con el subwoofer y de los modos de conexión. Si se está utilizando más de un subwoofer, asegúrese de que los controles de cada uno estén ajustados en la misma posición.

Nota: Los controles VOLUME (LINE) y VOLUME (SPEAKER) sólo funcionan con las entradas correspondientes. En caso de que un determinado control de volumen no vaya a ser utilizado, lo mejor es dejarlo en la posición Min.

Ajustes para Cine en Casa

Ajuste inicialmente el control VOLUME (LINE o SPEAKER) en la posición equivalente a las 9 en punto.

Sitúe el conmutador LOW-PASS FILTER en OUT.

Sitúe inicialmente el conmutador EQ en la posición A.

Sitúe inicialmente el conmutador PHASE en 0°.

Sitúe el control LOW-PASS FREQ (frecuencia) en 140 si se utilizan las entradas de nivel alto. En el caso de que se utilicen las entradas de línea, este ajuste es irrelevante.

Para más información, diríjase a la sección "Ajuste Fino".

Este subwoofer no está homologado THX®, pero en caso de que así se desee puede utilizarse con un controlador THX®. Si se utiliza un controlador THX®, asegúrese de que la función de subwoofer esté activada ya que la misma incorpora todos los ajustes de nivel y filtrado requeridos por el subwoofer en todos sus modos de funcionamiento. Para la calibración de nivel deberían utilizarse los controles de

nivel y el generador interno de tonos de prueba del controlador THX®. En todos los casos, los niveles deberían ajustarse para obtener una presión sonora de 75 dB (medidos con ponderación C) en la posición de escucha utilizando la señal de ruido rosa de prueba del controlador.

Con otros procesadores, configure las cajas acústicas frontales y de sonido envolvente en "large" ("grandes") o "small" ("pequeñas") antes de ajustar los niveles correspondientes. Utilice los controles de nivel y el generador de señales de prueba interno del controlador para ajustar los niveles de todas las cajas acústicas del equipo. Si el procesador no dispone de un rango de ajuste suficiente para alcanzar los niveles de presión sonora correctos, actúe sobre el control VOLUME del subwoofer.

Pueden obtenerse fácilmente sonómetros de precio muy asequible –que deberían utilizarse para calibrar los niveles correspondientes a cada acústica– en tiendas de componentes electrónicos. Consulte el manual de instrucciones de su procesador de A/V para obtener más detalles sobre el procedimiento de ajuste de los niveles de las cajas acústicas.

Audio Estereofónico de 2 Canales

Ajuste inicialmente el control VOLUME en la posición correspondiente a las 9 en punto.

Sitúe el conmutador LOW-PASS FILTER en IN.

Sitúe inicialmente el conmutador EQ en la posición A.

Sitúe inicialmente el conmutador PHASE en 0°.

Sitúe el control LOW-PASS FREQ para que concuerde con la frecuencia de corte a -6 dB de las cajas acústicas satélites.

Nota: Las frecuencias de corte a -3 dB y -6 dB pueden encontrarse en las especificaciones de cualquier modelo de B&W. No obstante, si el fabricante de las cajas acústicas satélites sólo indica la frecuencia de corte a -3 dB, el ajuste óptimo para la frecuencia de corte del filtro paso bajo estará situado entre 0'6 y 0'9 veces dicho valor. Cuanto más gradual sea la velocidad de decrecimiento (es decir la pendiente de caída) del filtro divisor de frecuencias de las cajas acústicas satélites, menor debería ser el valor de la mencionada frecuencia.

Para más información, diríjase a la sección "Ajuste Fino".

Ajuste fino

Cine en Casa

En los sistemas de Cine en Casa, la señal de subwoofer (LFE) corresponde más a un canal separado que a una extensión de la señal enviada a las cajas acústicas satélites. En este caso el filtro paso bajo no actúa en el circuito de entrada de nivel de línea puesto que es el procesador el que se encarga de proporcionar todo el filtrado a cualquier caja acústica configurada como "small" ("pequeña"). Sin embargo, la posición del conmutador PHASE debe seguir siendo tenida en cuenta. Por lo general, la fase debe ser ajustada en 0° pero si el subwoofer está colocado a una distancia significativamente distinta de

las demás cajas acústicas o la etapa de potencia que ataca a estas últimas invierte la señal, la posición 180° podría resultar más adecuada. Haga pruebas de escucha colocando el conmutador en las dos posiciones y elija la que proporcione el sonido más convincente. Si la diferencia percibida es poca, deje el conmutador en 0°.

Por regla general, los procesadores de sonido envolvente incluyen una señal de ruido calibrada que puede ser utilizada para establecer los niveles relativos de todas las cajas acústicas, haciendo de este modo que la tarea resulte algo más sencilla que en el caso del audio estereofónico de 2 canales. Aún así, no tenga miedo de alterar los ajustes para que se adapten a sus preferencias personales. Es muy fácil dejarse impresionar por las posibilidades del subwoofer, en especial durante la reproducción de ciertos efectos especiales de baja frecuencia. Muy a menudo, se obtiene una restitución más realista –que a largo plazo también acaba resultando más satisfactoria- ajustando el nivel del subwoofer en un valor más bajo que el que corresponde a la calibración estándar.

Audio Estereofónico de 2 Canales

Coloque el producto en la posición que le resulte más favorable y reproduzca en su equipo piezas con un fuerte contenido de frecuencias bajas.

Los ajustes óptimos para el conmutador PHASE y el control LOW-PASS FREQ están interrelacionados y además dependen de la frecuencia de corte inferior de las cajas acústicas satélites y la pendiente de corte inferior del filtro divisor de frecuencias de las cajas acústicas satélites. Aún así, se han elegido los ajustes recomendados anteriormente para el conmutador PHASE y el control LOW-PASS FREQ ya que se adaptan bien a mayoría de diseños utilizados para la reproducción de graves.

Utilizando como guía la lista de ajustes iniciales, compruebe en primer lugar la posición del conmutador PHASE. Elija la posición que proporcione un sonido más abierto y rico. Por regla general, la posición recomendada será óptima aunque es posible que ello no sea así en determinadas circunstancias, como por ejemplo si las etapas de potencia que alimentan las cajas acústicas satélites invierten la señal o los subwoofers no están situados cerca de las cajas acústicas satélites.

A continuación, ajuste el nivel de salida (VOLUME LINE o SPEAKER) del subwoofer con respecto a las cajas acústicas satélites en función de sus preferencias. Utilice un amplio abanico de grabaciones musicales con el fin de establecer un ajuste intermedio que sea válido para todos. Piense al respecto que un ajuste que proporcione un sonido impresionante con un determinado tema musical puede ser desastroso para otro. Escuche la música a niveles de presión sonora sensatos puesto que la percepción del balance varía con el nivel del sonido.

Ya para finalizar, ajuste el control LOW-PASS FREQ para conseguir la transición más suave posible entre el subwoofer y las cajas acústicas satélites.

Todo Tipo de Aplicaciones

El conmutador BASS EXTENSION ofrece tres opciones para extender la respuesta en graves del subwoofer. La posición A es la que ofrece la mayor extensión mientras que la posición C ofrece la extensión más reducida. Por su parte, la posición B proporciona un ajuste de compromiso. Si su equipo va a trabajar con unos niveles de volumen muy elevados o va a ser instalado en una sala de grandes dimensiones, es posible que la restricción de la extensión de la respuesta en graves seleccionando la posición B o C contribuya a asegurar que el subwoofer no sea forzado a trabajar por encima de sus posibilidades. No obstante, en la mayoría de situaciones el conmutador BASS EXTENSION debería dejarse en la posición A.

El conmutador EQ altera la pendiente de corte del filtro de graves y por tanto la extensión de la respuesta en graves del subwoofer. Los graves que usted oye son una combinación de los emitidos por el subwoofer más los efectos debidos a la acústica de su sala de escucha, por lo que debería elegir la posición que mejor se adapte a esta última y a la ubicación del subwoofer. Así, la posición A proporciona una respuesta más “seca” y por tanto más adecuada si se coloca el subwoofer en una esquina o se quiere compensar una sala resonante. Por su parte, la posición B es más apropiada para una sala menos resonante y una ubicación alejada de las esquinas.

Si detecta problemas relacionados con una concentración excesiva de graves -es decir si ciertas notas bajas son exageradas con respecto a otras- es muy posible que se deban a la interacción del equipo con la sala de escucha, por lo que le recomendamos que experimente con la posición del subwoofer. Piense que un pequeño cambio en la ubicación -del orden de unos 15 centímetros- puede tener efectos muy importantes sobre el sonido. El uso de varios subwoofers puede suavizar los efectos debidos a las resonancias de la sala puesto que cada subwoofer tenderá a excitar resonancias a frecuencias distintas. Si usted altera de modo apreciable las distancias relativas entre el(los) subwoofer(s) y las cajas acústicas satélites con respecto a los oyentes, reajuste el selector PHASE. También debería comprobar el ajuste de nivel del subwoofer (utilizando los controles del nivel de salida del procesador de A/V o el control VOLUME del amplificador del subwoofer dependiendo de cada situación) aunque sólo después de ajustar correctamente la fase.

Cuidado y Mantenimiento

Por norma general, el recinto del subwoofer sólo requiere que de cuando en cuando se le quite el polvo. Si desea utilizar un limpiador de tipo aerosol o de otro tipo, retire primero la rejilla protectora tirando suavemente hacia fuera del recinto. Pulverice los aerosoles en la gamuza de limpieza, nunca directamente sobre el producto. Pruebe primero con un área pequeña, ya que algunos productos de limpieza pueden dañar algunas de las superficies. Evite utilizar productos abrasivos o que contengan

ácido, álcalis o agentes antibacterianos. La rejilla protectora puede limpiarse con un cepillo normal para la ropa una vez haya sido retirada del recinto. Evite tocar el transductor ya que podría dañarlo. Desconecte por completo el subwoofer antes de limpiarlo.

No utilice el subwoofer como mesa ya que cuando está funcionando es muy posible que la vibración que genera haga que los objetos situados en su panel posterior se desplacen. En particular, procure evitar que se viertan líquidos en el interior del subwoofer (procedentes, por ejemplo, de bebidas o floreros).

Si su equipo no va a ser utilizado durante un largo período de tiempo, desconecte el subwoofer de la red eléctrica.

Português

Manual do utilizador

Introdução

Estimado Cliente,

Obrigado por ter escolhido a Bowers & Wilkins. Por favor leia totalmente este manual antes de desembalar e instalar o produto. Ajudá-lo-á a otimizar a sua performance. A B&W é distribuída em mais de 60 países no mundo inteiro e mantém uma rede de distribuidores dedicados que serão capazes de o ajudar no caso de surgirem problemas que o lojista não consiga resolver.

Informação Ambiental



Todos os produtos B&W são desenhados de molde a cumprir com as directivas internacionais de Restrição de Substâncias Perigosas (RoHS) em material eléctrico e electrónico e o desperdício de Lixo de Equipamento Eléctrico Electrónico (WEEE). Estes símbolos indicam o cumprimento e que os produtos devem ser correctamente reciclados ou processados de acordo com estas directivas. Consulte a organização local de recolha de desperdícios para uma orientação sobre a forma correcta de se desfazer deste equipamento.

Consulte a sua organização local de disposição de lixos, para ser correctamente conduzido no processo de abate deste equipamento.

Conteúdo da Embalagem

Verifique se a caixa contém:

- 1 Cabo se corrente
- 1 Conjunto de acessórios contendo:
 - 4 Spikes de rosca M6
 - 4 Pés de borracha M6
 - 4 Porcas de travamento

Instalação

Este subwoofer foi desenhado para aplicações de Cinema em Casa e para aumentar a performance de graves de colunas de sistemas de audio de 2-canais de 'gama total'. Todas as instalações de audio requerem alguns cuidados na instalação se pretender que as mesmas alcancem o seu potencial de performance máxima, este manual guiá-lo-á através desse processo.

O subwoofer requer ligação à alimentação eléctrica, como tal é importante que se familiarize com as instruções de segurança e observe todos os avisos. Mantenha este manual num lugar seguro para futura consulta.

Ligações e Painel de Controlo do Subwoofer (Figura 1)

1. Indicador de status
2. Interruptor de Stand-by, Auto, Ligado.
3. Volume de entrada de linha
4. Volume de entrada de colunas.

5. Filtro de frequências passa-baixas.
6. Selector de filtro passa-baixas.
7. Selector de extensão de baixos.
8. Selector de equalização.
9. Selector reversor de fase (phase).
10. Entrada de disparador de 12V.
11. Fichas de entrada de linha (direita e esquerda).
12. Terminais de entrada de nível de colunas (esquerda e direita).
13. Entrada de corrente.
14. Suporte de fusível exterior.

Aplicações do Subwoofer

A principal aplicação do subwoofer é reproduzir sinais de efeitos de baixas frequências (LFE), provenientes de um processador áudio-visual. Adicionalmente, o processador poderá ser configurado para dirigir a parte dos graves de alguns ou todos os outros canais e adicioná-la à informação LFE. Normalmente isto é efectuado ao seleccionar as colunas para "smal" na parametrização do processador.

Em aplicações de áudio de 2-canal um subwoofer é utilizado para estender a resposta mais baixo do que a providenciada pelas colunas satélite. O filtro passa-baixas do subwoofer deve ser configurado de forma a que o mesmo retome o sinal onde as colunas satélite entram em quebra.

Instalação e Posicionamento do Subwoofer

O ouvido tem dificuldade em perceber a localização do som de baixa frequência, como tal o posicionamento de subwoofers na sala é regra geral menos crítico quando comparado com colunas de gama total. No entanto os melhores resultados são normalmente obtidos se o subwoofer for colocado entre as colunas direita e esquerda ou nas proximidades de uma delas. Se forem utilizados dois subwoofers, o melhor é colocar um perto da coluna direita e outro da coluna esquerda. Colocar um subwoofer por detrás da posição de audição, mesmo em instalações multicanal de surround, geralmente resulta numa imagem inferior, mas poderá ser um compromisso aceitável se considerações domésticas assim o exigirem.

Tal como com todas as colunas, a proximidade de paredes ou cantos afecta o som do subwoofer. O volume de graves aumenta à medida que mais superfícies ficam nas proximidades das colunas. No entanto, contrariamente às colunas de gama total, o equilíbrio tonal do sistema pode ser corrigido pelo ajuste do nível de volume do subwoofer. Quanto maior for o reforço da sala, menor o volume necessário e menos esforço fará o subwoofer; mas existe um lado negativo. Subwoofers colocados perto dos cantos geram muitas vezes mais ressonâncias de baixas frequências, tornando o baixo mais irregular com a frequência. Não existe substituto para a experimentação, já que todas as salas se comportam de forma diferente, como tal o subwoofer deve ser testado em várias posições antes de tomada a

decisão final quanto à sua colocação. Uma peça com uma linha de graves crescente ou decrescente na escala musical é útil para perceber a linearidade da resposta de graves. Procure notas puxadas ou calmas.

Se o subwoofer for utilizado num espaço confinado (por ex. dentro de um móvel), o espaço deverá ser ventilado de forma a permitir que o ar circule livremente e arrefeça a unidade. Peça um conselho ao seu revendedor.

O subwoofer está apenas indicado para colocação no chão. É importante que assegure que o sub. se mantém firme no chão utilizando sempre que possível os spikes fornecidos. Os spikes são desenhados para perfurar alcatifa e assentar no chão. Inicialmente, enrosque as porcas de travamento nos spikes o suficiente a deixar as mesmas ligeiramente acima da alcatifa enquanto os spikes acentam no chão logo a baixo. Aparafuse completamente os spikes nos orifícios da base da caixa. Se a caixa balançar quando colocada no chão, desaperte os dois spikes que não tocam o chão até que esta se mantenha firme sem baloiçar. Por fim, aperte as porcas contra a caixa. Poderá ser mais conveniente colocar e ajustar os spikes após a optimização do posicionamento das colunas.

Se não existir carpete e desejar evitar riscar a superfície do chão, utilize quer um disco protector metálico (talvez uma moeda) entre o spike e o chão ou então utilize os pés de borracha fornecidos. Coloque os pés de borracha aparafusando cada um deles aos orifícios respectivos da parte de baixo da caixa.

A grelha colocada na frente do subwoofer poderá ser retirada se assim desejado. No entanto tome atenção para não tocar nas partes moveis da unidade já que a poderá danificar.

Utilizando Múltiplos Subwoofers

Utilizando múltiplos subwoofers numa instalação pode melhorar a performance das seguintes formas:

- Mantendo a separação estéreo até às frequências mais baixas.
- Suavizando os efeitos das ressonâncias de baixa frequência da sala.
- Permitindo um nível de pressão sonora máximo mais elevado.

No caso de se utilizar dois subwoofers num sistema de áudio de dois canais, a separação estéreo apenas será melhorada se acada canal tiver o seu próprio subwoofer localizado perto de cada coluna satélite.

Ligações Eléctricas

Desligue todos os equipamentos do sistema de áudio da corrente eléctrica até que as ligações de sinal tenham sido efectuadas e verificadas. Isto evita o risco de danos enquanto se efectuam as ligações ou caso estas se encontrem danificadas. O subwoofer pode aceitar sinais de linha através das tomadas phono RCA (item 11 na Figura 1) e sinais de nível de colunas através dos terminais adequados para o efeito

(item 12 na Figura 1). Utilize o seguinte guia para seleccionar o metodo de ligação apropriado para a sua instalação:

Aplicação: Cinema em Casa

Subwoofer ligado ao processador AV com amplificadores separados: Figura 2

Subwoofer ligado ao processador AV com amplificadores integrados:

- utilizando entradas de nível de linha: Figura 3
- utilizando entradas de nível de colunas: Figura 4

Nota: O subwoofer fica sempre mais bem ligado através das suas entradas de nível de linha em aplicações de cinema em casa.

Aplicação: Audio de 2-canal

Subwoofer ligado ao amplificador integrado:

- utilizando as entradas de nível de linha: Figura 5
- utilizando as entradas de nível de colunas: Figura 6

Dois subwoofers ligados ao amplificador integrado:

- utilizando as entradas de nível de linha: Figura 7
- utilizando as entradas de nível de colunas: Figura 8

Subwoofer ligado a conjunto Pre/Amplificador de potência:

- utilizando a entrada de nível de linha: Figura 9
- utilizando a entrada de nível de colunas: Figura 10

Dois subwoofers ligados a conjunto Pre/Amplificador de potência:

- utilizando as entradas de nível de linha: Figura 11
- utilizando as entradas de nível de colunas: Figura 12

Antes da Audição

Antes de afinar e ouvir o seu novo subwoofer, verifique novamente as ligações. Certifique-se em particular que:

1. A fase está correcta. Se as entradas de nível de colunas forem utilizadas, assegure-se que os terminais positivos no subwoofer (marcados como + e de cor vermelha) são ligados aos terminais de saída positivos e que os terminais negativos no subwoofer (marcados como - e de cor preta) são ligados aos terminais de saída negativos do amplificador. Uma ligação incorrecta pode gerar num som confuso e com poucos graves.
2. Que os canais esquerdo e direito não se encontram trocados. A troca dos mesmos pode resultar no aparecimento de elementos de uma orquestra com a localização errada na imagem estéreo, ou que efeitos sonoros numa reprodução de Cinema em Casa não correspondam à respectiva acção no écran.

Ligar e Desligar

Os Subwoofers devem ser ligados depois... e desligados antes dos restantes equipamentos do

sistema. O selector de On/Auto/Standby (Item 2 na Figura 1) e indicador de Status (Item 1 na Figura 1) operam da seguinte forma:

On: Com o selector em On, o subwoofer permanecerá totalmente activo e o indicador ficará verde.

Auto: com o selector em Auto, o subwoofer ficará inicialmente totalmente activo e o indicador a verde: Cerca de 5 minutos após não receber sinal, o subwoofer entrará automaticamente em modo "adormecido". O indicador acenderá a vermelho. Quando um sinal é detectado na entrada, o subwoofer ficará activo automaticamente e o indicador passará a verde. O subwoofer retornará ao modo "adormecido" após 5 minutos sem presença de sinal.

Os processadores Audio-Visuais incorporam um procedimento "automático" que pode ser "confundido" por subwoofers com a função "pronto"/"adormecido". Uma potencial condição de falha pode surgir. Os subwoofers devem ser deixados ligados e totalmente activos durante a parametrização se for utilizado esse tipo de processador.

Standby: Com o selector em Standby o subwoofer ficará activo quando forem aplicados 12V ao Trigger de entrada (Item 10 na Figura 1). Zero volts na entrada recolocará o subwoofer em modo "adormecido". O indicador acenderá a verde quando o subwoofer estiver activo e a vermelho quando estiver "adormecido".

Definindo os Controlos do Subwoofer

Existem 7 controlos a considerar:

- O controlo de VOLUME (LINHA) (Item 3 na Figura 1)
- O controlo de VOLUME (COLUNAS) (Item 4 na Figura 1)
- O controlo de FREQ PASSA-BAIXAS (frequencias) (Item 5 na Figura 1)
- O selector do FILTRO PASSA-BAIXA (Item 6 na Figura 1)
Note: Isto aplica-se apenas á entrada de LINHA. O filtro está sempre activo no circuito com a entrada de NÍVEL de COLUNAS.
- O selector de Extensão de BAIXOS (Item 7 na Figura 1)
- O selector de EQ (equalização) (Item 8 na Figura 1)
- O selector de PHASE (Item 9 na in Figura 1)

As afinações apropriadas dependem do equipamento utilizado com o subwoofer e dos modos de ligação. Se utilizar mais do que um subwoofer, assegure-se que os controlos em cada um dos dois estão afinados da mesma forma.

Note: Os controlos de VOLUME (LINHA) e VOLUME (COLUNA) apenas operam na sua respectiva entrada. Se algum dos volumes não for utilizado deverá ser colocado no mínimo.

Ajustes para Cinema em Casa

Ajuste inicialmente o controlo de VOLUME (LINHA ou COLUNAS) para a posição das 9 horas.

Coloque o selector do FILTRO PASSA-BAIXAS para OUT.

Ajuste inicialmente o selector de EQ para a posição A.

Ajuste inicialmente o selector de PHASE para 0°.

Coloque o controlo de FREQ PASSA-BAIXAS (frequencia) para 140 se as entradas de nível de colunas forem utilizadas.

O ajuste é irrelevante se forem utilizadas as entradas de nível de linha.

Leia a secção "Afinação" para obter mais informações.

O subwoofer não é um componente licenciado pela THX®, mas poderá ser utilizado com um controlador THX® se assim o desejar. Se um controlador THX® for utilizado, assegure-se que a função subwoofer está activa. Esta incorpora todas as filtragens e definições de nível necessárias ao subwoofer em todos os modos. Para uma calibração de nível, o teste de ruído interno e controlo de canais do controlador THX® deve ser utilizado. Em todos os casos os níveis devem ser definidos de molde a obter uma leitura de 75dB SPL (C-weighted) na posição de audição a partir do sinal de teste interno do controlador.

Com outros processadores, configure a colunas frontais e de surround para "large" ou "small" conforme mais apropriado antes de definir os níveis. Utilize o sinal de teste interno e os controlos de volume do processador para definir os níveis de todas as colunas. Altere apenas o controlo de VOLUME no subwoofer se não existir ganho suficiente no processador para atingir os níveis correctos. Medidores de pressão sonora acessíveis à venda em casas da especialidade podem ser utilizados para calibrar os níveis. Leia o manual do processador para mais detalhes sobre como ajustar os níveis.

Ajustes para audio de 2-canais

Ajuste inicialmente o nível do controlo de VOLUME (LINHA ou COLUNAS) para a posição das 9 horas.

Coloque o selector do FILTRO PASSA-BAIXAS para IN.

Ajuste inicialmente o selector de EQ para a posição A.

Ajuste inicialmente o selector de PHASE para 0°.

Coloque o controlo de FREQ PASSA-BAIXAS no ponto de quebra de baixas frequencias definido para as colunas satellite a -6dB. Note: tanto os valores de -3dB como os de -6dB podem ser encontrados nas especificações de cada modelo de colunas B&W. Se o fabricante de colunas apenas fizer referência a uma frequência de corte a -3dB, o melhor ajuste para o controlo de FREQ PASSA BAIXAS deverá ser entre 0.6 e 0.9 vezes esse valor. Quanto mais gradual for o corte de frequência dos satellites, mais baixo deverá ser o ajuste.

Leia a secção "Afinação" para obter mais informações.

Afinação

Cinema em Casa

Em sistemas de cinema em casa, o sinal de subwoofer (LFE) é um canal separado e não uma extensão do sinal das colunas satélite. O FILTRO PASSA-BAIXAS é desligado (ou colocado na frequência mais alta), pois o processador providencia toda a filtragem para qualquer coluna definida para "small". No entanto, a posição do selector de PHASE deve ser ajustável. Normalmente a fase (phase) deverá estar em 0°, mas se o subwoofer for colocado a uma distância significativamente diferente das restantes colunas, ou o amplificador que as alimenta inverter o sinal, a posição de 180° poderá ser preferível. Oíça com o selector em ambas as posições e escolha a que porporciona o som mais cheio. Se existir pouca diferença, deixe o selector a 0°.

Os processadores de Surround normalmente possuem um sinal de ruído calibrado que poderá ser usado para ajustar os níveis relativos de todas as colunas, facilitando mais a tarefa do que para audio de 2 canais. No entanto, não tenha receio de alterar os ajustes para as suas preferências pessoais. É bastante fácil deixar-se levar pelas capacidades do seu subwoofer especialmente com alguns efeitos de baixa frequência. Muitas vezes uma reprodução mais realista, e mais satisfatória a longo prazo, é obtida pelo ajuste do nível do subwoofer mais baixo que o nível de calibração standard.

Audio de 2-canais

Monte o sistema na posição preferencial e reproduza uma secção de musicas com um forte conteúdo de graves.

Os ajustes optimos do selector de PHASE e controlo de FREQ PASSA-BAIXAS estão interrelacionados e igualmente dependentes das características de corte de baixas frequencias das colunas satellites. No entanto, os ajustes recomendados acima para o controlo de FREQ PASSA-BAIXOS e PHASE foram escolhidos para integrar correctamente com os alinhamentos de graves da maior parte das colunas.

Utilizando as afinações iniciais, verifique primeiramente o estado do selector de PHASE. Escolha a opção que lhe proporciona um som mais cheio. Normalmente a opção recomendada poderá ser optima, mas poderá não o ser em certas circunstâncias. Estas podem ter que ver com o facto de os amplificadores que alimentam as colunas satellite inverterem o sinal ou que o subwoofer não esteja colocado proximo das mesmas.

Seguidamente, ajuste a seu gosto o VOLUME (LINHA ou COLUNAS) do subwoofer relativamente aos satellites. Utilize uma larga variedade de programas musicais para obter um valor médio de ajuste. Uma calibração que soa impressionante numa peça pode soar excessiva noutra. Oíça a um nível de volume realista já que a percepção do equilibrio musical varia com o nível sonoro.

Por ultimo, ajuste o controlo de FREQ PASSA-BAIXAS de molde a proporcionar a transição mais suave entre o subwoofer e as colunas satélites.

Todas as aplicações

O selector de EXTENSÃO DE BAIXOS oferece três ganhos de extensão de subwoofer. A posição A oferece a maior extensão e a posição C a menor. A posição B providencia um ajuste de compromisso. Se o sistema é para ser utilizado a elevados volumes ou numa sala de grandes dimensões, restringir a extensão de graves seleccionando quer B ou C pode ajudar a assegurar que não é pedido que o subwoofer exceda os seus limites.. Na maioria das situações o selector de EXTENSÃO DE BAIXOS deverá ser deixado na posição A.

O selector de EQ altera o alinhamento do decaimento de baixos do subwoofer. O baixo que ouve é uma combinação do subwoofer mais os efeitos da sala e deve escolher um posicionamento que melhor complementa a sua sala e a localização do subwoofer. A posição A proporciona um alinhamento mais "seco", mais indicado para a colocação do subwoofer num canto ou para compensar uma sala mais ressonante. A posição B é mais indicada para uma sala de acustica menos ressonante e utilização longe dos cantos.

Se tiver problemas com graves ribombantes – em que certas notas graves são mais exageradas que outras – então provavelmente terá um problema de interacção com a sala e deve efectuar experiências com a colocação do subwoofer. O que pode parecer pequenas alterações de posicionamento – cerca de 15cm (6in) – pode exercer uma profunda alteração no som. A utilização de multiplos subwoofers pode suavisar o efeito das ressonâncias da sala, já que cada subwoofer terá tendencia para excitar ressonâncias a diferentes frequencias. Se alterar de forma apreciável as distâncias relativas dos subwoofers e colunas satellites à posição de audição, reveja o posicionamento do selector de PHASE. Deverá igualmente ajustar o volume do subwoofer (utilizando, quer os níveis de saída do processador quer o controlo de VOLUME no amplificador do subwoofer como achar mais apropriado), mas apenas após ajustar correctamente a fase (PHASE).

Manutenção

As superficies da caixa apenas requerem limpeza do pó. Se desejar utilizar um spray ou outro agente de limpeza, retire primeiro a grelha, puxando-a gentilmente da caixa. Pulverize o aerosol para a pano de limpeza, não directamente para o produto. Teste primeiro numa pequena superfície, já que alguns produtos de limpeza são abrasivos, contêm acido ou agentes anti-bacterianos. Não utilize agentes de limpeza nas unidades. Quando estiver fora da coluna a grelha pode ser limpa com uma escova normal. Evite tocar na unidade, já que a pode danificar. Desligue o subwoofer antes de o limpar.

Não utilize o subwoofer como mesa de apoio. Quando em uso, objectos deixados em cima do subwoofer têm tendencia para vibrar. Em particular, evite o risco

de que liquidos sejam derramados (por ex. de bebidas ou vasos de flores).

Se o sistema estiver sem funcionar durante um longo período, desligue o subwoofer da corrente eléctrica.

Italiano

Manuale di istruzioni

Introduzione

Caro cliente,

Grazie per avere scelto Bowers & Wilkins.

Vi preghiamo di leggere completamente questo manuale prima di sballare ed installare questo prodotto; questo vi sarà d'aiuto nell'ottimizzare le prestazioni del prodotto. B&W ha una rete distributiva in più di 60 paesi in tutto il mondo, in grado di aiutarvi per gestire eventuali problemi che il vostro rivenditore non riesce a risolvere.

Informazioni per l'ambiente



Tutti i prodotti B&W sono realizzati in conformità con le normative internazionali: Restriction of Hazardous Substances (RoHS) per apparecchi elettronici ed elettrici, ed alle norme Waste Electrical and Electronic Equipment (WEEE). Questi simboli indicano la compatibilità con queste norme, e che il prodotto deve essere riciclato o smaltito in ottemperanza a queste direttive. Consultate l'autorità competente locale per maggiori dettagli sulle modalità di smaltimento.

Contenuto dell'imballo

Verificate che nell'imballo siano presenti:

- 1 Cavo di alimentazione
- 1 Kit di accessori contenente:
 - 4 Piedini a punta M6
 - 4 Piedini in gomma M6
 - 4 Dadi di fissaggio (da 10mm)

Installazione

Questo subwoofer è stato progettato per l'impiego sia in sistemi Home Theatre che per enfatizzare le basse frequenze in sistemi audio 2 canali. Tutte le installazioni audio richiedono alcuni accorgimenti per raggiungere le prestazioni ottimali, questo manuale vi aiuterà in questo processo.

Il subwoofer richiede un collegamento all'alimentazione di rete, perciò è importante familiarizzare con le istruzioni di sicurezza e seguire tutte le avvertenze. Conservate questo manuale in un luogo sicuro per potervi fare riferimento in futuro.

Collegamento del Subwoofer e descrizione del pannello di controllo (Figura 1)

1. Indicatore di stato.
2. Commutatore On, Auto, Stand-by.
3. Volume dell'ingresso a livello di linea.
4. Volume dell'ingresso diffusore.
5. Frequenza del filtro passa-basso
6. Commutatore di selezione filtro passa-basso.
7. Commutatore Bass extension.
8. Commutatore di equalizzazione.

9. Commutatore inversione di fase.
10. Ingresso trigger 12V.
11. Connettori ingresso livello di linea (sinistro e destro).
12. Connettori degli altoparlanti (sinistro e destro).
13. Ingresso alimentazione.
14. Portafusibile esterno.

Applicazioni del subwoofer

La funzione principale del subwoofer è di riprodurre i segnali del canale degli effetti a bassa frequenza (LFE) di un processore audio-video. Inoltre, il processore può anche essere configurato per deviare le basse frequenze di alcuni o di tutti i canali verso il subwoofer ,configurando i relativi diffusori in modalità "small" nella procedura di impostazione.

Nelle applicazioni audio 2 canali il subwoofer è utilizzato per estendere la risposta alle basse frequenze delle due casse principali. Il filtro passa-basso del subwoofer dovrebbe essere impostato in modo che il subwoofer intervenga quando i diffusori non riescono più a riprodurre le frequenze più basse.

Posizionamento ed installazione del subwoofer

L'orecchio umano non percepisce la posizione della sorgente di suoni a bassa frequenza, perciò il posizionamento è in qualche modo meno impegnativo di quello dei diffusori full-range. Comunque, i risultati migliori si ottengono se il subwoofer viene collocato fra i diffusori destro e sinistro o in prossimità di uno di essi. Se utilizzate due subwoofer è meglio collocarne uno vicino ad ogni diffusore. Collocare il subwoofer dietro agli ascoltatori, anche in installazioni home theatre multicanale , generalmente genera una immagine acustica inferiore, tuttavia può risultare un compromesso accettabile nel caso fosse dettato da limitazioni di spazio dell'ambiente dove viene installato.

Così come per tutti i tipi di diffusori, la vicinanza con le pareti della stanza condiziona il suono. Generalmente i bassi aumentano quando i diffusori vengono posizionati vicino alle pareti o negli angoli. Tuttavia, a differenza dei diffusori full-range, potete sempre ricreare il corretto bilanciamento di tutto il sistema modificando il livello di volume del subwoofer. Più la stanza tende ad amplificare le basse frequenze, meno il subwoofer deve lavorare; ma c'è un inconveniente. Posizionando i diffusori negli angoli vengono amplificate le basse frequenze nella stanza rendendo il basso più irregolare. Non c'è alcuna alternativa per ovviare a questo inconveniente se non sperimentare le varie posizioni in quanto ogni locale si comporta diversamente, pertanto provate il subwoofer in varie posizioni prima di prendere la decisione finale. Un brano musicale con una scala di bassi ascendente e discendente è utile per determinare la linearità della risposta alle basse frequenze. Provate ad ascoltare gli estremi inferiori e superiori della gamma dei bassi.

Se il subwoofer deve essere utilizzato in uno spazio angusto (per esempio incassato in un mobile dedicato), il suo alloggiamento dovrà essere ventilato per consentire

una sufficiente circolazione d'aria per raffreddare l'unità. Chiedete consiglio al vostro rivenditore.

Il subwoofer è stato realizzato per poggiare direttamente sul pavimento. È importante assicurarsi che il subwoofer poggi saldamente sul pavimento utilizzando, quando possibile, i piedini a punta forniti in dotazione. Le punte dei piedini sono studiate appositamente per trapassare il tappeto sottostante e poggiare direttamente sulla superficie del pavimento. Avvitare prima completamente i dadi sulla parte filettata in modo da lasciare i dadi appena sopra al tappeto quando le punte poggiano sul pavimento sottostante. Avvitare completamente i piedini sugli inserti filettati alla base del cabinet. Se il subwoofer non è stabile regolare i piedini sul lato verso cui si inclina fino a ottenere la stabilità ottimale; infine serrate i dadi contro il cabinet. È consigliabile inserire e regolare i piedini a punta dopo che è stata decisa la collocazione definitiva del subwoofer.

Se il subwoofer non deve essere collocato su di un tappeto e volete evitare di rovinare la superficie del pavimento, potete collocare un dischetto protettivo di metallo (ad esempio una moneta) sotto ogni punta o utilizzare al posto delle punte i quattro piedini in gomma forniti in dotazione.

La griglia protettiva sulla parte frontale del subwoofer può essere rimossa se lo desiderate. Comunque, fate attenzione a non toccare le parti in movimento dell'unità altoparlante poiché potrebbe danneggiarsi.

Utilizzo di più subwoofers

L'utilizzo di più subwoofers in un sistema può migliorare la resa delle seguenti caratteristiche:

- Mantenimento della separazione stereo alle frequenze più basse.
- Eliminazione degli effetti delle risonanze nel locale di ascolto sulle basse frequenze.
- Aumento del volume massimo di uscita

Se state utilizzando due subwoofers in un sistema audio 2 canali, la separazione stereo viene migliorata se ogni canale ha il proprio subwoofer collocato vicino al diffusore relativo.

Collegamenti elettrici

Scollegate tutto l'impianto audio dall'alimentazione fino a che i collegamenti non siano stati effettuati e controllati. Ciò evita il rischio di danni durante le operazioni di collegamento. Il subwoofer può ricevere ed inviare segnali attraverso i connettori RCA Phono (voce 11 in Figura 1) ed i connettori per i diffusori (voce 12 in Figura 1).

Utilizzate la seguente tabella per scegliere il corretto metodo di cablaggio per il vostro sistema:

Applicazione: Home Theatre

Subwoofer collegato ad un processore AV con amplificatori di potenza separati: Figura 2

Subwoofer collegato ad un processore AV con amplificatori di potenza integrati:

- Utilizzate gli ingressi a livello di linea: Figura 3

- Utilizzate le uscite per i diffusori: Figura 4

Nota: È sempre meglio collegare il subwoofer attraverso i suoi ingressi di livello di linea in applicazioni home theatre.

Applicazione: Audio 2 canali

Subwoofer collegato ad un amplificatore integrato:

- Utilizzate gli ingressi a livello di linea: Figura 5
- Utilizzate le uscite per i diffusori: Figura 6

2 subwoofers collegati ad un amplificatore integrato:

- Utilizzate gli ingressi a livello di linea: Figura 7
- Utilizzate le uscite per i diffusori: Figura 8

Subwoofer collegato ad un pre/amplificatore integrato:

- Utilizzate gli ingressi a livello di linea: Figura 9
- Utilizzate le uscite per i diffusori: Figura 10

2 subwoofers collegati ad un pre/amplificatore integrato:

- Utilizzate gli ingressi a livello di linea: Figura 11
- Utilizzate le uscite per i diffusori: Figura 12

Prima dell'ascolto

Prima dell'ascolto e della messa a punto del vostro nuovo subwoofer, controllate accuratamente i collegamenti. In particolare, assicuratevi che:

1. La fase sia posizionata correttamente. Se utilizzate i connettori di uscita dei diffusori, assicuratevi che il terminale positivo sul subwoofer (contrassegnato + e di colore rosso) sia collegato al connettore positivo di uscita sull'amplificatore, e che il terminale negativo sul subwoofer (contrassegnato - e di colore nero) sia collegato al connettore negativo di uscita sull'amplificatore. Un errato collegamento può dare luogo ad un suono confuso ed una mancanza di bassi.
2. Il canale destro e quello sinistro non siano invertiti. Questo può produrre come risultato, per esempio, che l'orchestra si trovi nella posizione opposta dell'immagine stereo o, ancor peggio, che i suoni nel vostro sistema home theatre vadano nella direzione opposta all'azione sullo schermo.

Accensione e spegnimento

Vi raccomandiamo di accendere i subwoofers prima degli altri componenti del sistema, ed allo stesso modo quando li spegnete disattivate i subwoofers per ultimi.

L'interruttore On/Auto/Standby (oggetto 1 in Figura 2) e il led indicatore di stato (oggetto 1 in Figura 1) funzionano in questo modo:

ON: Con l'interruttore in questa posizione, il subwoofer resta costantemente acceso e la spia è verde.

AUTO: Non appena si attiva il subwoofer su Auto, il subwoofer è completamente attivo e il led indicatore diventa verde. Dopo un periodo di circa 5 minuti senza un segnale di ingresso, il subwoofer automaticamente entra in modalità di attesa: "sleep" e il led indicatore diventa rosso. Quando viene rilevato un segnale in ingresso, il subwoofer si riaccende automaticamente e il led indicatore diventa verde. Il subwoofer dopo un

periodo di circa 5 minuti senza un segnale di ingresso entra in modalità "sleep"

I processori audio-video dotati di una procedura "automatica" di impostazione potrebbero essere "confusi" da subwoofer con funzione automatica di attivazione/disattivazione al rilevamento del segnale in ingresso; potenzialmente potrebbe verificarsi una condizione di guasto. Se utilizzate un processore di questo tipo, sarebbe meglio lasciare i subwoofer accesi e pienamente attivi durante la procedura di impostazione.

Standby: Con il commutatore impostato su Standby, il subwoofer si attiverà quando sarà applicato un segnale 12V all'ingresso Trigger (oggetto 10 in Figura 1). Un segnale in ingresso pari a zero Volt riporterà il subwoofer in modalità "sleep", il led indicatore diventerà verde quando il subwoofer è attivo, e rosso quando il subwoofer è in modalità "sleep".

Impostazione dei controlli del subwoofer

Ci sono 7 possibili impostazioni:

- Il controllo del VOLUME (LINE) (oggetto 3 in Figura 1)
- Il controllo del VOLUME (SPEAKER) (oggetto 4 in Figura 1)
- Il controllo della FREQUENZA PASSA-BASSO (frequenza) (oggetto 5 in Figura 1)
- L'interruttore del FILTRO PASSA-BASSO (oggetto 6 in Figura 1)

Nota: Questo si applica solo all'ingresso LINE. Il filtro è sempre sul circuito dell'ingresso SPEAKER LEVEL.

- Il selettore BASS Extension (oggetto 7 in Figura 1)
- L'interruttore EQ (equalizzazione) (oggetto 8 in Figura 1)
- L'interruttore della FASE (oggetto 9 in Figura 1)

Le regolazioni ottimali dipendono dagli altri componenti utilizzati con il subwoofer e dalle modalità di collegamento. Se utilizzate più di un subwoofer, assicuratevi che i parametri di regolazione su ciascuno di essi siano gli stessi.

Nota: I controlli del VOLUME (LINE) e VOLUME (SPEAKER) sono riferiti solo ai rispettivi ingressi di linea e volume. E' meglio impostare al minimo un controllo del volume non utilizzato

Impostazioni per utilizzo in sistema home theater

Regolate il controllo del VOLUME (LINE o SPEAKER) in posizione ore 9

Regolate l'interruttore di FILTRO PASSA-BASSO su OUT

Regolate l'interruttore EQ inizialmente in posizione A

Spostate l'interruttore FASE inizialmente su 0°

Regolate il controllo della FREQUENZA PASSA-BASSO (frequenza) su 140, se sono utilizzati gli ingressi dei diffusori. L'impostazione è irrilevante se utilizzate gli ingressi a livello di linea.

Per maggiori dettagli in merito, consultate il paragrafo "Messa a punto".

Questo non è un subwoofer certificato THX®, ma può essere utilizzato con un processore THX®. Se utilizzate un processore THX® assicuratevi che la funzione subwoofer sia abilitata. In questo modo sono inseriti tutti i filtri e le regolazioni necessarie al subwoofer in tutte le modalità di ascolto. Per la regolazione dei livelli, dovrebbero essere usati il test di rumore interno e le regolazioni di livello dei canali del processore THX®. In tutti i casi i livelli dovrebbero essere regolati in modo tale da ottenere 75 dB di pressione sonora (pesato C) nella posizione d'ascolto, con il segnale di test interno del processore.

Con altri processori, configurate i diffusori anteriori e surround come "large" o "small" come desiderate, prima di regolare i livelli. Utilizzate il segnale interno di test e le regolazioni di volume del processore per regolare i livelli di tutti i diffusori. Agite sul VOLUME del subwoofer solo se con il processore non riuscite ad ottenere i giusti livelli di segnale desiderato.

Sono facilmente reperibili presso i negozi di elettronica dei misuratori di livello sonoro poco costosi, e dovrebbero essere usati per regolare accuratamente i livelli. Fate riferimento al manuale di istruzioni del vostro processore per ulteriori dettagli sulle regolazioni dei livelli.

Utilizzo in sistemi audio 2 canali

Regolate il controllo del VOLUME (LINE o SPEAKER) in posizione ore 9

Regolate l'interruttore di FILTRO PASSA-BASSO su IN

Regolate l'interruttore EQ inizialmente in posizione A

Spostate l'interruttore FASE inizialmente su 0°

Regolate il selettore di FREQUENZA PASSA-BASSO in modo che corrisponda a -6dB dei diffusori satelliti.

Nota: Le caratteristiche -3dB e -6dB si possono verificare sulle specifiche di tutti i tipi diffusori B&W. Comunque se il produttore dei vostri diffusori specifica solo la frequenza a -3dB, l'impostazione ottimale per il filtro passa basso dovrebbe essere tra 0.6 e 0.9 volte il valore di questa caratteristica. Più graduale sarà la curva di caduta del diffusore, più l'impostazione della frequenza dovrà essere verso il basso.

Per maggiori dettagli in merito, consultate il paragrafo "Messa a punto".

Messa a punto

Home theatre

In sistemi home theatre il segnale del subwoofer (LFE) è un canale separato, più che un'estensione del segnale ai diffusori satelliti. Il filtro PASSA-BASSO viene disattivato (o impostato al valore massimo), perché il processore fornisce tutti i filtri per qualsiasi diffusore posto su "small". Tuttavia, la posizione dell'interruttore di fase può essere variata a piacere. Normalmente la fase sarà settata su 0°, ma se il subwoofer viene posto a una notevole distanza dagli altri diffusori, oppure l'amplificatore di potenza che pilota gli altri diffusori sembra invertire il segnale, potrebbe essere consigliabile la posizione a 180°. Ascoltate la riproduzione di un brano con l'interruttore in entrambe le posizioni e scegliete quello che vi sembra il suono più pieno. Se la differenza è minima, lasciate l'interruttore a 0°.

In genere i processori surround hanno un segnale di test calibrato che può essere utilizzato per impostare i livelli di tutti i diffusori, rendendo il compito in un certo senso più semplice che con l'audio a 2 canali. Comunque, non abbiate paura ad alterare le regolazioni secondo le vostre preferenze. E' facile lasciarsi trasportare dalla potenzialità dinamica del subwoofer, in particolar modo con alcuni effetti sulle basse frequenze. Spesso è possibile ottenere un'immagine più realistica, e più soddisfacente, regolando il livello del subwoofer più basso del livello di regolazione standard.

Audio a 2 canali

Regolate il sistema nella modalità preferita, ed ascoltate alcuni brani con un ricco contenuto di basse frequenze.

Le regolazioni ottimali della fase e della frequenza PASSA/BASSO sono correlate e dipendono anche dalla caratteristica della frequenza di taglio alle basse frequenze dei diffusori satellite. Comunque, le regolazioni consigliate in precedenza per la frequenza passa basso e la fase devono essere scelte per aggiungere nel miglior modo possibile bassi profondi ed allineati a quelli riprodotti dai diffusori.

Utilizzando le impostazioni iniziali, per prima cosa controllate la posizione del selettore della fase. Scegliete la posizione in cui il suono vi sembra più pieno. Normalmente la posizione consigliata nella guida è quella ottimale, ma potrebbe variare in alcuni casi, ad esempio se state usando le uscite di linea e l'amplificatore che pilota i diffusori satelliti inverte il segnale, o se il subwoofer non è posizionato vicino ai satelliti.

A questo punto, regolate il VOLUME (LINE o SPEKAER) del subwoofer dei relativi satelliti a vostro piacimento. Provate ad ascoltare un'ampia varietà di brani per trovare una regolazione ottimale del sistema. Potreste riscontrare che un brano ad un determinato livello di regolazione ha un suono eccezionale, ed un altro brano allo stesso livello potrebbe risultare eccessivamente potente. Ascoltate ad un volume normale e non eccessivo poiché la percezione del bilanciamento varia in funzione del livello sonoro.

Infine, regolate la frequenza del filtro passa basso del subwoofer in modo da minimizzare la differenza tra la risposta in frequenza del subwoofer ed i diffusori satelliti.

Tutte le applicazioni

Il selettore BASS EXTENSION permette di scegliere tra tre diverse impostazioni del subwoofer. La posizione A permette di ottenere la maggiore estensione, mentre in posizione C si ha la minima estensione. La posizione B è una impostazione intermedia tra le due precedenti. Se il sistema deve essere utilizzato ad alti livelli di volume o in un ambiente molto grande, contenendo l'estensione dei bassi utilizzando le impostazioni B o C potrebbe aiutare ad assicurare che il subwoofer non superi i suoi limiti prestazionali. Nella maggior parte delle situazioni il selettore BASS EXTENSION dovrebbe essere lasciato in posizione A.

Il selettore EQ agisce sull'allineamento della curva dei bassi. I suoni bassi riprodotti sono una combinazione del subwoofer più gli effetti derivati dalla risonanza del locale, quindi scegliete la posizione dei componenti dell'impianto nella stanza che vi dà migliori risultati. La posizione A è adatta per il posizionamento del subwoofer in un angolo o per compensare una stanza che rimbomba. La posizione B è invece più adatta per una stanza con una resa acustica neutra ed un posizionamento del subwoofer lontano dagli angoli.

Se avete problemi di bassi eccessivi – se alcune note basse sono esuberanti più di altre – probabilmente avete problemi dovuti all'ambiente d'ascolto ed è consigliabile intervenire sul posizionamento del subwoofer. Quelli che possono sembrare piccoli spostamenti – anche di 15 cm – possono avere effetti molto rilevanti sul suono. L'utilizzo di più subwoofer può attenuare gli effetti delle risonanze della stanza poiché ogni subwoofer tenderà a stimolare risonanze a frequenze diverse. Se modificate in modo considerevole la distanza fra i/subwoofer e i diffusori satellite e la posizione di ascolto, effettuate nuovamente la regolazione della fase. Dovreste anche verificare il livello del volume del subwoofer (utilizzando sia i controlli sui livelli di uscita del processore, sia il controllo del VOLUME del subwoofer in maniera adeguata) ma solo dopo aver regolato correttamente la fase.

Cura del subwoofer

Il cabinet del subwoofer normalmente necessita solo di essere spolverato. Se preferite utilizzare un prodotto spray per la pulizia, rimuovete prima dal cabinet la griglia di protezione tirandola delicatamente.

Non spruzzate il prodotto direttamente sul cabinet, spruzzatelo sul panno. Vi consigliamo di provare prima a pulire solo una piccola parte del cabinet, poiché alcuni prodotti potrebbero danneggiare alcune superfici. Non utilizzate prodotti abrasivi o contenenti acidi, alcali o agenti anti-batterici. Non utilizzate prodotti di pulizia sugli altoparlanti. Il panno della griglia può essere pulito con un normale spazzola morbida per indumenti, dopo che la griglia è stata tolta dal cabinet. Evitate di toccare l'altoparlante, poiché potrebbe danneggiarsi. Spegnete sempre il subwoofer prima di pulirlo.

Non utilizzate il subwoofer come un tavolo. Quando è in funzione gli oggetti lasciati sul piano superiore tendono a vibrare. In particolare, evitate di posizionare contenitori con liquidi (es. bicchieri pieni o vasi di fiori).

Se il sistema non viene usato per parecchio tempo, scollegate il subwoofer dalla alimentazione.

Nederlands

Handleiding

Introduction

Geachte cliënt,

Dank u voor de aanschaf van een Bowers & Wilkins product. Lees deze handleiding in zijn geheel door voordat u het product uitpakt en installeert. Op die manier zult u optimaal profijt hebben van het product. B&W heeft een netwerk van toegewijde distributeurs in meer dan 60 landen die u kunnen helpen voor het geval u een probleem heeft dat uw leverancier niet kan oplossen.

Milieu



De producten van B&W zijn ontwikkeld conform de internationale richtlijnen omtrent de Restriction of Hazardous Substances (RoHS – Beperking van Gevaarlijke Stoffen) in elektrische en elektronische apparatuur en de verwerking van Waste Electrical and Electronic Equipment (WEEE – Afgedankte Elektrische en Elektronische Apparatuur). Deze symbolen geven aan dat aan deze richtlijnen wordt voldaan en dat het product op de juiste manier dient te worden gerecycled of bewerkt in overeenstemming met deze richtlijnen. Raadpleeg zonnig de plaatselijke milieudienst voor nadere informatie.

Inhoud

Controleer of de volgende zaken aanwezig zijn:

- 1 Netsnoer
- 1 Doos toebehoren met de volgende inhoud:
 - 4 Spikes M6
 - 4 Rubber voetjes M6
 - 4 Contramoeren (10 mm)

Installatie

Deze subwoofer is ontwikkeld voor zowel Home Theatre installaties als voor verbetering van het laag bij breedband luidsprekers in een tweekanalen audiosysteem. Elke audio-installatie vergt enig denkwerk om tot optimale prestaties te komen en deze handleiding leidt u door dat proces.

De subwoofer dient op het lichtnet te worden aangesloten; neem daarom goede nota van de veiligheidsaankwijzingen en houd u er aan. Bewaar deze handleiding op een veilige plaats voor eventueel later gebruik.

Subwoofer Aansluitingen & Bedieningspaneel (afbeelding 1)

1. Status indicatie.
2. Aan, Auto, Standby schakelaar.
3. Volume lijningang.
4. Volume ingang luidsprekerniveau.
5. Frequentie laagdoorlaat filter.
6. Laagdoorlaat filter functie.
7. Extra bas schakelaar.

8. Equalizer schakelaar.
9. Faseschakelaar.
10. 12 V trigger ingang.
11. Lijningangen (links en rechts).
12. Luidsprekeringangen (links en rechts).
13. Lichtnetaansluiting.
14. Externe zekeringhouder.

Subwoofer Toepassingen

De primaire functie van een subwoofer is het reproduceren van de signalen het LFE (Low Frequency Effects) kanaal van een audiovisuele processor. Daarnaast kan een subwoofer worden geconfigureerd om het laag van sommige of alle andere kanalen aan de LFE informatie toe te voegen. Doorgaans gebeurt dat door 'small' (klein) te kiezen in de setup procedure van de processor.

In tweekanalen audio toepassingen wordt een subwoofer gebruikt om het bereik in het laag uit te breiden als aanvulling op de satellieten. Het laagdoorlaat filter van de subwoofer wordt zo ingesteld dat deze het overneemt op het punt waar het signaal van de satellieten afvallen.

Subwoofer Opstelling en Installatie

Het oor is op lage frequenties niet erg gevoelig voor richting en daardoor is de positie van de subwoofer in de luisterkamer minder kritisch dan die van breedband luidsprekers. De beste resultaten worden meestal bereikt door de subwoofer tussen de linker en rechter luidspreker, dan wel in de nabijheid van één van beide te plaatsen. Wanneer twee subwoofers worden gebruikt, verdient het aanbeveling de één bij de linker en de ander bij de rechter luidspreker op te stellen. De opstelling van een subwoofer achter de luisterpositie, ook in meerkanaal surround sound systemen, geeft doorgaans een slecht ruimtebeeld, maar kan een bruikbaar alternatief zijn wanneer de situatie geen andere oplossing toestaat.

De klank van een subwoofer wordt net als elke luidspreker beïnvloed door de nabijheid van wanden in de kamer. De bas wordt versterkt naarmate er meer wanden in de nabijheid van de luidspreker zijn. In tegenstelling tot breedband luidsprekers, kan de balans van het gehele systeem worden gecorrigeerd met de volumeregelaar van de subwoofer. Hoe meer extra versterking de kamer oplevert, hoe lager het volume kan worden ingesteld en hoe minder de subwoofer hoeft te doen; er is echter een schaduwzijde. Subwoofers die in of bij een hoek staan veroorzaken meer laagresonanties in de kamer, wat het laag afhankelijk van de frequentie onevenwichtig maakt. Daar elke kamer andere eigenschappen heeft, is het belangrijk te experimenteren met verschillende posities van de subwoofer voordat een definitieve opstelling wordt gekozen. Een stuk muziek met een oplopende of aflopende baslijn is handig voor het bepalen van de kwaliteit van het laag. Let speciaal op overdreven of wegvallende noten.

Wanneer de subwoofer wordt ingebouwd, bijvoorbeeld in een meubel, rekening houden met voldoende ventilatie voor koeling. Raadpleeg hierover uw leverancier.

De subwoofer is bedoeld voor plaatsing op de vloer. Het is belangrijk dat de subwoofer stevig op de grond staat en gebruik indien mogelijk de spikes. Deze zijn bedoeld om door het tapijt heen te prikken zodat de luidspreker op de ondergrond staat. Schroef om te beginnen de contramoeren ver genoeg op de spikes om deze juist boven het tapijt te brengen wanneer de spikes op de vloer er onder staan. Schroef de spikes helemaal in de openingen met schroefdraad in de onderzijde van de kast. Wanneer de kast wiebelt draait u de schroef die de vloer niet raakt zover uit tot deze de vloer wel raakt en de kast niet meer wiebelt. Draai tenslotte de contramoeren tegen de kast vast. Het is wellicht praktisch de spikes aan te brengen en af te stellen wanneer de uiteindelijke positie van de subwoofer is gevonden.

Wanneer u een vloer heeft zonder tapijt en u wilt beschadiging voorkomen, gebruik dan een metalen schijfje (muntstuk o.i.d.) tussen de spike en de vloer, of gebruik de bijgevoegde rubber voetjes. Schroef de voetjes daarvoor in de gaten onderin de kast.

Desgewenst kan de grill op de voorzijde van de subwoofer worden verwijderd. Pas op dat u de bewegende delen van de eenheid niet aanraakt zodat deze wordt beschadigd.

Gebruik Meerdere Subwoofers

Het gebruik van meerdere subwoofers in één installatie kan de prestaties op de volgende punten verbeteren:

- Stereobeeld handhaven tot op de laagste frequenties
- Het reduceren van het effect van kamerresonanties op lage frequenties.
- Bereiken van een hoger maximum geluidsniveau.

In het geval dat twee subwoofers worden gebruikt in een tweekanalen audiosysteem wordt de kanaalscheiding alleen verbeterd wanneer elk kanaal een subwoofer heeft die wordt opgesteld in de nabijheid van de bijbehorende satelliet luidspreker.

Elektrische Verbindingen

Neem de netstekkers van alle audioapparatuur uit het stopcontact tot alle signaalverbindingen zijn gemaakt en gecontroleerd. Zo voorkomt u dat apparatuur wordt beschadigd tijdens het maken of wijzigen van verbindingen. De subwoofer accepteert zowel lijnniveau signalen via de cinch ingangen (item 11, afbeelding 1) als luidsprekerniveau signalen via de klemmen (item 12, afbeelding 1). Gebruik de volgende leidraad voor het kiezen van de juiste verbindingen in uw installatie:

Toepassing: Home Theatre

Subwoofer verbonden met AV Processor en twee afzonderlijke eindversterkers: afbeelding 2.

Subwoofer verbonden met AV Processor met geïntegreerde eindversterkers:

- via lijningangen: afbeelding 3
- via luidsprekerniveau ingangen: afbeelding 4

Opmerking: in home theater toepassingen verdient het altijd aanbeveling de subwoofer aan te sluiten via de lijningangen.

Toepassing: Tweekanalen Audio

Subwoofer aangesloten op een geïntegreerde versterker:

- Via de lijningangen: afbeelding 5
- Via de luidsprekerniveau ingangen: afbeelding 6

Twee subwoofers aangesloten op een geïntegreerde versterker:

- Via de lijningangen: afbeelding 7
- Via de luidsprekerniveau ingangen: afbeelding 8

Subwoofer aangesloten op gescheiden voor/eindversterkers:

- Via de lijningangen: afbeelding 9
- Via de luidsprekerniveau ingangen: afbeelding 10

Twee subwoofers aangesloten op gescheiden voor/eindversterkers:

- Via de lijningangen: afbeelding 11
- Via de luidsprekerniveau ingangen: afbeelding 12

Controleer voordat u uw nieuwe subwoofer in gebruik neemt en de opstelling verfijnt, eerst nogmaals de aansluitingen. Controleer vooral:

1. De fase: wanneer de luidsprekerniveau ingangen worden gebruikt, controleren of de plus aansluitingen van de subwoofer (gemarkeerd + en rood) zijn verbonden met de positieve aansluitingen van de versterker en de negatieve uitgangen van de subwoofer (gemarkeerd – en zwart) met de negatieve aansluitingen van de versterker. Onjuiste fase maakt het klankbeeld vaag en verzwakt het laag.
2. Links en rechts: verwisseling van links en rechts heeft o.a. tot gevolg dat de instrumenten groepen van een orkest op de verkeerde plaats in het stereobeeld staan en dat Home Theater geluidseffecten niet kloppen met het beeld.

In- en Uitschakelen

Subwoofers kunnen het best als laatste worden ingeschakeld en als eerste worden uitgeschakeld. De schakelaar On/Auto/Standby (item 2, afb. 1) en de statusindicatie (item 1, afb. 1) werken als volgt:

On (aan): met de schakelaar op ON is de subwoofer ingeschakeld en de indicatie licht groen op.

Auto (automatisch): met de schakelaar op Auto wordt de subwoofer ingeschakeld en licht de indicatie groen op. Na ca. 5 minuten zonder ingangssignaal gaat de subwoofer automatisch in standby en wordt de indicatie rood. Zodra een ingangssignaal binnenkomt, wordt de subwoofer automatisch geactiveerd en licht de indicatie weer groen op. De subwoofer gaat na vijf minuten zonder signaal weer automatisch in standby.

Audiovisuele processoren met een automatische configuratie kunnen in verwarring raken met subwoofers die een automatische standby functie hebben. Er kan in zo'n situatie zelfs schade ontstaan. Bij gebruik van zo'n processor kan de subwoofer het beste worden ingeschakeld en actief gelaten gedurende de gehele setup.

Standby: met de schakelaar op Standby wordt de subwoofer actief wanneer 12 V wordt toegevoerd aan de Trigger Ingang (item 10, afb. 1). Nul volt op de ingang zet de subwoofer in standby. De indicatie licht groen op wanneer de subwoofer actief is en rood wanneer deze in standby staat.

Instellingen op de Subwoofer

Er zijn 7 instellingen:

- VOLUME (LIJN) instelling (item 3, afb. 1)
- VOLUME (SPEAKER) instelling (item 4, afb. 1)
- LOW PASS FREQ (laagdoorlaat frequentie) instelling (item 5, afb. 1)
- LOW PASS FILTER (laagdoorlaat filter) schakelaar (item 6, afb. 1)
Opmerking: dit geldt alleen voor de lijningang (LINE). Het filter is altijd aanwezig in het luidsprekerniveau ingang (SPEAKER LEVEL).
- BASS Extension (extra bas) schakelaar (item 7, afb. 1)
- EQ (equalizer) schakelaar (item 8, afb. 1)
- PHASE (fase) schakelaar (item 9, afb. 1)

De juiste instelling wordt bepaald door de apparatuur waarmee de subwoofer wordt gebruikt en de wijze van aansluiten. Bij gebruik van meer dan één subwoofer is het belangrijk dat de instellingen op elke subwoofer hetzelfde zijn.

Opmerking: de VOLUME (LINE) en VOLUME (SPEAKER) hebben alleen effect op de respectievelijke lijn- en luidsprekerniveau ingangen. Zet een ongebruikte volumeregelaar bij voorkeur op 'Minimum'.

Home Theater Instellingen

Zet om te beginnen de VOLUME (LINE of SPEAKER) regelaar in de stand 9 uur.

Zet de LOW PASS FILTER schakelaar op OUT (uit).

Zet de EQ schakelaar op A.

Zet de PHASE schakelaar op 00.

Zet de LOW PASS FREQ (frequentie) regelaar op 140 wanneer de luidsprekerniveau ingangen worden gebruikt. Wanneer de lijningangen worden gebruikt is deze instelling niet actief.

Raadpleeg voor meer informatie de paragraaf 'Fijninstellen'.

De subwoofer is geen THX® gecertificeerde component, maar kan desgewenst worden gebruikt met een THX® controller. Is dat het geval, controleer dan of de subwoofer functie is geactiveerd. Dat omvat alle filters en niveau-instellingen voor de subwoofer in alle functies. Voor het kalibreren van het niveau gebruikt u de ingebouwde testgenerator en de niveau-instellingen van de THX® controller. In alle gevallen wordt het niveau met het ingebouwde testsignaal van de controller ingesteld op 75 dB SPL (C-gewogen) op de luisterpositie.

Bij andere processoren stelt u de front en surround luidsprekers in op 'large' (groot) of 'small' (klein) als van toepassing voordat u de niveaus instelt. Gebruik

het ingebouwde testsignaal en de volumeregelaars van de processor om het niveau van alle luidsprekers in te stellen. Wijzig het VOLUME van de subwoofer alleen wanneer het bereik van de processor niet groot genoeg is om het juiste niveau in te stellen. In de vakhandel zijn zeer betaalbare niveaumeters te koop waarmee de niveaus kunnen worden gekalibreerd. Raadpleeg de handleiding van de processor voor nadere informatie over het instellen van de niveaus.

Tweekanalen Audio Instellingen

Zet om te beginnen de VOLUME (LINE of SPEAKER) regelaar in de stand 9 uur.

Zet de LOW PASS FILTER schakelaar op IN (aan).

Zet de EQ schakelaar op A.

Zet de PHASE schakelaar op 00.

Zet de LOW PASS FREQ instelling in een positie die overeenkomt met de -6 dB laag afval van de satelliet luidsprekers. Opmerking: zowel de -3 dB als de -6 dB punten vindt u in de specificaties van elke B&W luidspreker. Wanneer een fabrikant van satellieten alleen het -3 dB punt opgeeft voor de LOW PASS FREQ instelling, vermenigvuldig die waarde dan met 0,6 tot 0,9. Hoe geleidelijker de satelliet luidsprekers afvallen, hoe lager de frequentie dient te worden ingesteld.

Zie de paragraaf 'Fijninstellen' hierna voor nadere informatie.

Fijninstellen

Home Theater

In Home Theater systemen is het subwoofer (LFE) kanaal meer een apart kanaal dan een uitbreiding van het signaal naar de satelliet luidsprekers. Het LOW PASS FILTER is uitgeschakeld (of op maximum gezet) omdat de processor alle filtering verzorgt wanneer de luidsprekers op 'small' (klein) zijn gezet. De positie van de PHASE schakelaar dient echter wel te worden beoordeeld. Normaal gesproken staat de fase op 0° maar wanneer de subwoofer op een duidelijke grotere afstand van de andere luidsprekers staat of de eindversterker die de andere luidsprekers aanstuurt keert het signaal om (inverterend) dan kan de stand 180° de voorkeur verdienen. Luister naar muziek in beide posities en kies de stand die het volste geluid geeft. Als er nauwelijks verschil is laat u de schakelaar op 0° staan.

Surround Sound processoren hebben doorgaans een testsignaal – meestal ruis – dat wordt gebruikt om de relatieve luidsprekerniveaus in te stellen, waarmee het wat makkelijker wordt dan voor tweekanalen audio. Aarzel overigens niet de instellingen nadat is gekalibreerd naar eigen inzicht aan te passen. Men laat zich vaak verleiden teveel accent te leggen op het effect van lage frequenties en op den duur voldoet een iets lager niveau van de subwoofer dan het standaard kalibratie niveau meestal beter.

Tweekanalen Audio

Stel het systeem op conform uw voorkeur en speel wat opnamen met een behoorlijke inhoud aan lage tonen.

De optimale instelling van de PHASE schakelaar en de LOW PASS FREQ instelling hebben wederzijds invloed op elkaar en zijn afhankelijk van de laagafval van de satelliet luidsprekers. De eerder aanbevolen instellingen voor de LOW PASS FREQ instelling en de PHASE schakelaar verdienen ook de voorkeur voor de meeste combinaties met satelliet luidsprekers.

Uitgaande van de eerste instelling (als eerder aangegeven) controleert u de positie van de PHASE schakelaar. Kies de stand die het meeste laag geeft. Normaal gesproken geeft de aangegeven stand een optimaal resultaat, in bepaalde omstandigheden echter niet. Dat kan komen doordat de eindversterkers het signaal in fase omkeren, of door de afstand van de satellieten tot de subwoofer.

Vervolgens stelt u het VOLUME (LINE of SPEAKER) van de subwoofer in relatie tot de satellieten in. Gebruik veel verschillend programmamateriaal om een gemiddelde instelling te bereiken. Een instelling die indrukwekkend klinkt op het ene stuk, kan overdreven klinken op een ander. Luister vooral op een realistisch niveau daar de muzikale balans wisselt met het geluidsniveau.

Tenslotte stelt u het LOW PASS FILTER zo in dat een zo rustig mogelijke overgang tussen subwoofer en satelliet luidsprekers wordt bereikt.

Alle Toepassingen

De schakelaar BASS EXTENSION (extra bas) biedt drie gradaties voor extra bas van de subwoofer. Positie A geeft de grootste toename, positie C de minste, terwijl positie B daartussen ligt. Wanneer het systeem op zeer luid niveau wordt gebruikt of in zeer grote kamers, is het reduceren van het laag door B of C te kiezen verstandig om te voorkomen dat de subwoofer de grenzen van zijn capaciteit niet overschrijdt. In de meeste gevallen kan de schakelaar BASS EXTENSION in positie A blijven.

De EQ schakelaar wijzigt de afval van de subwoofer. Het laag dat u hoort is een combinatie van de subwoofer en de eigenschappen van de kamer en u kiest de positie die het beste past bij de eigenschappen van de kamer en de opstelling van de subwoofer. Positie A geeft een 'droger' resultaat, passend bij de opstelling van een subwoofer in een hoek en compenseert voor een kamer met sterke resonanties. Positie B past bij een wat minder uitgesproken kamerakoestiek en opstelling niet in de hoek.

Heeft u problemen met een onevenwichtig laag – sommige tonen zijn meer benadrukt dan andere – dan is de combinatie met de kamer niet in optimaal en verdient het aanbeveling te experimenteren met de opstelling van de subwoofer. Wat misschien een kleine verandering van positie lijkt – 15 cm (6") of zo – kan een ingrijpend effect hebben op de klank. Het gebruik van meerdere subwoofers kan ook het effect van kamerresonanties verminderen daar elke subwoofer op verschillende frequenties resonanties aanstoot. Wanneer u de afstanden van de subwoofer(s) en de satelliet luidsprekers tot de luisterpositie verandert, dient ook de stand van de PHASE schakelaar opnieuw

te worden gezien. Controleer ook het VOLUME van de subwoofer (met de processoruitgang of VOLUME op de subwoofer versterker) maar pas nadat de fase correct is ingesteld.

Nazorg

De kast heeft niet meer zorg nodig dan regelmatig afstoffen. Wilt u een spuitbus of een ander reinigingsmiddel gebruiken, verwijder dan eerst de grill door deze voorzichtig van het kast te trekken. Spuit het middel op een doek, nooit direct op de subwoofer. Probeer het eerst op een klein oppervlak uit; sommige middelen tasten de materialen aan. Vermijd schuurmiddelen en die welke vergif, alkali of antibacteriële middelen bevatten. Gebruik nooit reinigingsmiddelen op de eenheid zelf. Het doek van de grill kan worden schoongemaakt met een kledingborstel terwijl deze van de kast is genomen. Vermijd aanraking van de eenheid daar deze gemakkelijk wordt beschadigd. Schakel de subwoofer uit alvorens deze schoon te maken.

Gebruik de subwoofer niet als tafel. Wanneer de subwoofer actief is, leiden objecten die er op staan gemakkelijk tot rammelen. Zorg vooral dat er geen vloeistoffen in de subwoofer terecht kunnen komen (zet er geen vazen of drankjes op).

Wanneer het systeem voor langere tijd niet zal worden gebruikt, neem dan de stekker van de subwoofer uit het stopcontact.

Ελληνικά

Οδηγίες Χρήσεως

Εισαγωγή

Αγαπητέ πελάτη,

Σας ευχαριστούμε που επιλέξατε την Bowers & Wilkins.

Παρακαλούμε, διαβάστε προσεκτικά τις οδηγίες που περιλαμβάνονται σε αυτό το φυλλάδιο, για να μπορέσετε να βελτιστοποιήσετε την απόδοσή του συστήματός σας.

Η B&W έχει ένα δίκτυο αποκλειστικών αντιπροσώπων σε περισσότερες από 60 χώρες, οι οποίοι θα μπορούν να σας βοηθήσουν στην περίπτωση που συναντήσετε κάποια προβλήματα που δεν μπορεί να λύσει το κατάστημα από όπου αγοράσατε το ηχείο.

Πληροφορίες σχετικά με την προστασία του περιβάλλοντος



Όλα τα προϊόντα της B&W είναι σχεδιασμένα έτσι ώστε να συμμορφώνονται με τις διεθνείς οδηγίες σχετικά με τον περιορισμό των επιβλαβών ουσιών (Restriction of Hazardous Substances – RoHS) στις ηλεκτρικές και ηλεκτρονικές συσκευές, καθώς και με την διάθεση ηλεκτρικών και ηλεκτρονικών αποβλήτων (Waste Electrical and Electronic Equipment – WEEE). Τα δύο σύμβολα σημαίνουν συμμόρφωση με τις οδηγίες αυτές, και ότι τα προϊόντα πρέπει να ανακυκλωθούν ή να υποστούν την κατάλληλη επεξεργασία.

Για περισσότερες πληροφορίες σχετικά με τη διάθεση ειδικών απορριμμάτων, απευθυνθείτε στις αρμόδιες υπηρεσίες των τοπικών αρχών.

Περιεχόμενα συσκευασίας

Ελέγξτε τη συσκευασία του ηχείου. Θα πρέπει να περιλαμβάνει τα εξής:

- 1 καλώδιο τροφοδοσίας
- 1 πακέτο με παρελκόμενα που περιέχει:
 - 4 ακίδες σταθεροποίησης με βίδες M6
 - 4 λαστιχένια πέλματα με βίδες M6
 - 4 παξιμάδια ασφάλισης

Εγκατάσταση

Το subwoofer έχει σχεδιαστεί τόσο για συστήματα οικιακού κινηματογράφου, όσο και στερεοφωνικά συστήματα όπου ενισχύει την απόδοση των χαμηλών, συνεργαζόμενο με ηχεία πλήρους εύρους συχνότητας. Προκειμένου να αποδώσουν στο μέγιστο των δυνατοτήτων τους, τα ηχητικά συστήματα χρειάζονται κάποιο σχεδιασμό για την εγκατάστασή τους, διαδικασία η οποία περιγράφεται σε αυτό το φυλλάδιο.

Το subwoofer συνδέεται στην πρίζα, και γι' αυτό θα πρέπει να διαβάσετε και να ακολουθήσετε πιστά όλες τις οδηγίες ασφαλείας. Κρατήστε το

φυλλάδιο που κρατάτε στα χέρια σας για ενδεχόμενη μελλοντική χρήση.

Υποδοχές σύνδεσης – Πλήκτρα λειτουργίας (Εικόνα 1)

1. Δείκτης λειτουργίας.
2. Διακόπτης ενεργοποίησης / αυτόματης ενεργοποίησης.
3. Ένταση εισόδου επιπέδου line (line level).
4. Ένταση εισόδου επιπέδου ηχείων (speaker level).
5. Συχνότητα φίλτρου low-pass.
6. Διακόπτης επιλογής φίλτρου low-pass.
7. Διακόπτης ενίσχυσης χαμηλών συχνοτήτων.
8. Διακόπτης ισοστάθμισης.
9. Διακόπτης αντιστροφής φάσης.
10. Είσοδος σήματος ενεργοποίησης 12V (12V trigger).
11. Είσοδοι line [αριστερή (left), δεξιά (right)].
12. Είσοδοι επιπέδου ηχείων [αριστερή (left), δεξιά (right)].
13. Υποδοχή καλωδίου ρεύματος.
14. Υποδοχή εξωτερικής ασφάλειας.

Εφαρμογές του subwoofer

Η βασική λειτουργία ενός subwoofer είναι να αναπαράγει το σήμα του καναλιού χαμηλών συχνοτήτων (LFE) ενός πολυκαναλιού συστήματος οικιακού κινηματογράφου. Επιπλέον, αν ο επεξεργαστής surround το επιτρέπει, μπορεί να αναπαράγει και τις πολύ χαμηλές συχνότητες των άλλων καναλιών (αν π.χ. τα υπόλοιπα ηχεία του συστήματος δεν αποδίδουν ικανοποιητικά τα μπάσα). Η λειτουργία αυτή εκτελείται συνήθως ορίζοντας τα άλλα ηχεία ως "μικρά" από τον επεξεργαστή.

Σε στερεοφωνικά συστήματα, το subwoofer χρησιμοποιείται για να ενισχύσει τα μπάσα περισσότερο από όσο μπορούν να τα αποδώσουν τα ηχεία - "δουροφόροι". Το φίλτρο low-pass (το φίλτρο που ορίζει τη συχνότητα κάτω από την οποία τα μπάσα αποδίδονται από το subwoofer) θα πρέπει να ρυθμιστεί έτσι ώστε να αναλαμβάνει το subwoofer όταν η απόδοση των χαμηλών από τα άλλα ηχεία μειώνεται.

Τοποθέτηση και εγκατάσταση του subwoofer

Το ανθρώπινο αυτί αντιλαμβάνεται δύσκολα μία πηγή ήχου που παράγει χαμηλές συχνότητες, οπότε η θέση του subwoofer στο χώρο είναι γενικά λιγότερο καθοριστική από αυτή των άλλων ηχείων.

Ωστόσο, το καλύτερο αποτέλεσμα επιτυγχάνεται όταν το subwoofer είναι τοποθετημένο μεταξύ του αριστερού και του δεξιού ηχείου, ή κοντά σε ένα από αυτά. Αν χρησιμοποιείτε δύο subwoofers, είναι καλύτερα να τοποθετήσετε από ένα κοντά σε κάθε ηχείο.

Η τοποθέτηση του subwoofer πίσω από τη θέση ακρόασης, ακόμη και σε πολυκάναλα συστήματα οικιακού κινηματογράφου, δεν δίνει συνήθως τόσο καλό αποτέλεσμα, αλλά μπορεί να είναι ένας αποδεκτός συμβιβασμός αν ο χώρος είναι περιορισμένος ή η διάταξή του δεν επιτρέπει άλλη επιλογή.

Όπως συμβαίνει με όλα τα ηχεία, η απόσταση του subwoofer από τους τοίχους του δωματίου επηρεάζει τον ήχο του. Η ένταση των μπάσων αυξάνεται όσο πιο κοντά είναι το ηχείο σε κάποια επιφάνεια. Αντίθετα όμως με τα ηχεία πλήρους εύρους, η συνολική ισορροπία των συχνοτήτων μπορεί να διορθωθεί ρυθμίζοντας την ένταση του subwoofer. Όσο περισσότερο τονίζεις τις χαμηλές συχνότητες ο χώρος, τόσο λιγότερο πρέπει να "εργάζεται" το subwoofer. Όμως υπάρχει και ένα μειονέκτημα: τα subwoofers που βρίσκονται κοντά σε γωνίες, συχνά δημιουργούν περισσότερες αντηχήσεις χαμηλών συχνοτήτων, υπερτονίζοντας έτσι τα μπάσα στο συνολικό άκουσμα. Ο μόνος τρόπος για να βρείτε την κατάλληλη θέση είναι ο πειραματισμός, αφού κάθε χώρος έχει τη δική του ακουστική συμπεριφορά. Θα πρέπει να δοκιμάσετε διαφορετικά σημεία για το subwoofer πριν καταλήξετε στην τελική του θέση. Ένα μουσικό κομμάτι με μπάσο που καλύπτει ένα μεγάλο μέρος μίας μουσικής κλίμακας είναι ιδανικό για να καταλάβετε αν οι χαμηλές συχνότητες αποδίδονται ομαλά, προσέχοντας ιδιαίτερα τις νότες με μεγάλο και μικρή ένταση.

Αν τοποθετήσετε το subwoofer σε ένα περιορισμένο χώρο (π.χ. ένα κλειστό έπιπλο), ο χώρος αυτός θα πρέπει να έχει ανοίγματα που επιτρέπουν την καλή κυκλοφορία του αέρα ώστε να μην υπερθερμανθεί το ηχείο. Για περισσότερες πληροφορίες σχετικά με τον κατάλληλο τύπο επίπλου απευθυνθείτε στο κατάστημα από όπου αγοράσατε το subwoofer ή στην αντιπροσωπεία της B&W.

Το subwoofer είναι σχεδιασμένο για να τοποθετείται μόνο στο δάπεδο. Είναι σημαντικό να είναι απόλυτα σταθερό, και γι' αυτό όπου είναι δυνατό συνιστάται η χρήση των ακίδων στήριξης που το συνοδεύουν.

Τα πέλματα με τις ακίδες διαπερνούν τα χαλιά και στηρίζουν τη βάση των ηχείων στην επιφάνεια του δαπέδου. Πρώτα, βιδώστε λίγο τα παξιμάδια ασφάλισης στις ακίδες, αφήνοντάς τα λίγο επάνω από το χαλί. Βιδώστε τελείως τις ακίδες στις υποδοχές με το σπειράωμα που υπάρχουν στην κάτω πλευρά της βάσης. Αν το ηχείο δεν στηρίζεται καλά, ξεβιδώστε τις δύο ακίδες που δεν αγγίζουν το δάπεδο, όσο χρειάζεται ώστε το ηχείο να σταθεροποιηθεί. Τέλος βιδώστε τελείως τα παξιμάδια ασφάλισης. Είναι καλύτερα να τοποθετήσετε τις ακίδες αφού έχετε καταλήξει στην τελική θέση των ηχείων.

Αν δεν υπάρχει χαλί και δεν θέλετε να γδαρθεί το δάπεδο, μπορείτε να τοποθετήσετε ένα μεταλλικό δίσκο (π.χ. ένα νόμισμα) μεταξύ

ακίδων και δαπέδου, ή να χρησιμοποιήσετε τα λαστιχένια πέλματα. Η τοποθέτηση των λαστιχένιων πελμάτων και η σταθεροποίηση του ηχείου γίνεται όπως και με τις ακίδες.

Μπορείτε αν θέλετε να αφαιρέσετε το προστατευτικό πλέγμα του ηχείου (γρίλια). Προσέξτε όμως να μην αγγίξετε το μεγάφωνο γιατί μπορεί να του προκαλέσετε ζημιά.

Χρήση πολλών subwoofers

Η χρήση πολλών subwoofers σε ένα σύστημα μπορεί να βελτιώσει την απόδοσή του ως εξής:

- Διατηρώντας το στερεοφωνικό διαχωρισμό των χαμηλών συχνοτήτων.
- Ομαλοποιώντας τις μπάσες αντηχήσεις του χώρου.
- Επιτρέποντας μεγαλύτερη συνολική ένταση.

Σε στερεοφωνικά συστήματα με δύο subwoofers, ο στερεοφωνικός διαχωρισμός θα βελτιωθεί μόνο αν κάθε κανάλι έχει το δικό του subwoofer, τοποθετημένο κοντά στο αντίστοιχο ηχείο- "δоруφόρο".

Συνδέσεις

Μην βάλετε το SUBWOOFER στην πρίζα πριν ολοκληρώσετε τις συνδέσεις. Πριν κάνετε οποιαδήποτε σύνδεση κλείστε όλες τις συσκευές του συστήματος και βγάλτε τις από την πρίζα. Το subwoofer δέχεται σήμα επιπέδου line, μέσω των υποδοχών RCA (βλ. Εικόνα 1, ένδειξη 11) ή επιπέδου ηχείων, μέσω των αντίστοιχων ακροδεκτών (βλ. Εικόνα 1, ένδειξη 12). Οι οδηγίες που ακολουθούν θα σας βοηθήσουν να επιλέξετε την κατάλληλο τύπο σύνδεσης για το σύστημά σας.

Συστήματα οικιακού κινηματογράφου

Σύνδεση subwoofer στον επεξεργαστή surround με ξεχωριστούς τελικούς ενισχυτές: Εικόνα 2.

Σύνδεση subwoofer σε επεξεργαστή surround με ενσωματωμένους τελικούς ενισχυτές:

- Μέσω των υποδοχών line (RCA): Εικόνα 3
- Μέσω των ακροδεκτών ηχείων: Εικόνα 4

Σημείωση: Στα συστήματα οικιακού κινηματογράφου είναι καλύτερα να συνδέετε το subwoofer μέσω των υποδοχών line.

Στερεοφωνικά συστήματα

Σύνδεση ενός subwoofer σε ολοκληρωμένο ενισχυτή:

- Μέσω των υποδοχών line (RCA): Εικόνα 5
- Μέσω των ακροδεκτών ηχείων: Εικόνα 6

Δύο subwoofers συνδεδεμένα σε ολοκληρωμένο ενισχυτή:

- Μέσω των υποδοχών line (RCA): Εικόνα 7
- Μέσω των ακροδεκτών ηχείων: Εικόνα 8

Σύνδεση ενός subwoofer σε σύστημα προενισχυτή/τελικού:

- Μέσω των υποδοχών line (RCA): Εικόνα 9
 - Μέσω των ακροδεκτών ηχείων: Εικόνα 10
- Δύο subwoofers συνδεδεμένα σε ολοκληρωμένο ενισχυτή:

- Μέσω των υποδοχών line (RCA): Εικόνα 11
- Μέσω των ακροδεκτών ηχείων: Εικόνα 12

Πριν την πρώτη ακρόαση

Πριν δοκιμάσετε για πρώτη φορά το σύστημά σας με το νέο subwoofer, και πριν κάνετε τις τελικές ρυθμίσεις, ελέγξτε άλλη μία φορά τις συνδέσεις. Ειδικότερα, βεβαιωθείτε ότι:

1. Η πολικότητα είναι σωστή. Αν χρησιμοποιήσετε τους ακροδέκτες ηχείων, συνδέστε το θετικό ακροδέκτη του ηχείου (ο κόκκινος ακροδέκτης, με την ένδειξη "+") στο θετικό ακροδέκτη του ενισχυτή, και τον αρνητικό ακροδέκτη του ηχείου (ο μαύρος ακροδέκτης, με την ένδειξη "-") στον αρνητικό ακροδέκτη του ενισχυτή. Αν δεν τηρήσετε τη σωστή πολικότητα στις συνδέσεις, είναι πολύ πιθανό η ηχητική απεικόνιση να μην είναι καλή και τα μπάσα να είναι περιορισμένα.
2. Μην αντιστρέψετε τη σύνδεση του αριστερού (Left) και του δεξιού (Right) καναλιού, γιατί μπορεί να επηρεαστεί η ηχητική εικόνα (π.χ. τα όργανα μίας ορχήστρας να ακούγονται από "λάθος" θέση σε ένα στερεοφωνικό σύστημα, ή τα ηχητικά εφέ να μην συγχρονίζονται με τη δράση στην οθόνη ενός πολυκάναλου συστήματος οικιακού κινηματογράφου.

Ενεργοποίηση – Απενεργοποίηση

Καλό είναι τα subwoofers να τίθενται σε λειτουργία τελευταία, μετά από όλες τις άλλες συσκευές του συστήματος. Ο διακόπτης On/Auto/Standby (Ενεργοποίηση / Αυτόματο / Αναμονή Λειτουργίας – Εικόνα 1, ένδειξη 2), και η ένδειξη κατάστασης λειτουργίας (Status Indicator – Εικόνα 1, ένδειξη 1), λειτουργούν ως εξής:

On: Όταν ο διακόπτης είναι στη θέση "On", το subwoofer είναι σε πλήρη λειτουργία, και η ένδειξη ανάβει με πράσινο χρώμα.

Auto: Στη θέση "Auto", το subwoofer θα τεθεί αρχικά σε πλήρη λειτουργία και η ένδειξη θα ανάψει με πράσινο χρώμα. Αν περάσουν 5 λεπτά χωρίς το ηχείο να δεχτεί κάποιο σήμα, θα τεθεί αυτόματα σε αναμονή λειτουργίας και η ένδειξη θα γίνει κόκκινη. Μόλις εντοπίσει σήμα, το subwoofer θα ενεργοποιηθεί αυτόματα και η ένδειξη θα γίνει πράσινη, ενώ αν περάσουν πάλι 5 λεπτά χωρίς σήμα, το ηχείο θα τεθεί σε αναμονή λειτουργίας.

Οι επεξεργαστές surround που διαθέτουν σύστημα αυτόματης εκτέλεσης αρχικών ρυθμίσεων, μπορεί να "μπερδεύουν" από subwoofers με λειτουργία αυτόματης ενεργοποίησης/απενεργοποίησης, και να

προκύψει κάποιο σφάλμα στις ρυθμίσεις. Αν έχετε τέτοιο επεξεργαστή, καλό είναι κατά τις αρχικές ρυθμίσεις να έχετε το subwoofer πλήρως ενεργοποιημένο (θέση "On").

Standby: Όταν ο διακόπτης είναι στη θέση "Standby", το subwoofer θα ενεργοποιείται μόλις δεχτεί ένα σήμα 12V στην είσοδο Trigger (Εικόνα 1, ένδειξη 10). Όταν δεν δέχεται σήμα ενεργοποίησης, το ηχείο θα τίθεται σε αναμονή λειτουργίας. Η ένδειξη λειτουργίας θα ανάβει με πράσινο χρώμα όταν το subwoofer είναι ενεργοποιημένο, και με κόκκινο όταν είναι σε αναμονή.

Πλήκτρα ρυθμίσεων

Το subwoofer έχει 7 πλήκτρα ρυθμίσεων:

- Πλήκτρο VOLUME LINE (για τις εισόδους LINE – Εικόνα 1, ένδειξη 3).
 - Πλήκτρο VOLUME SPEAKER (για τους ακροδέκτες ηχείων – Εικόνα 1, ένδειξη 4).
 - Πλήκτρο LOW-PASS FREQ (Συχνότητα φίλτρου low-pass – Εικόνα 1, ένδειξη 5).
 - Διακόπτης LOW-PASS FILTER (Εικόνα 1, ένδειξη 6).
- Σημείωση:** Ο διακόπτης αυτός λειτουργεί μόνο για την είσοδο LINE. Όταν χρησιμοποιείται η είσοδος επιπέδου ηχείων (SPEAKER LEVEL – ακροδέκτες) το φίλτρο είναι πάντα ενεργό.
- Διακόπτης BASS Extension (Ενίσχυση μπάσων – Εικόνα 1, ένδειξη 7).
 - Διακόπτης EQ (Ισοστάθμιση – Εικόνα 1, ένδειξη 8).
 - Διακόπτης PHASE (Φάση – Εικόνα 1, ένδειξη 9).

Οι κατάλληλες ρυθμίσεις εξαρτώνται από τον τύπο του συστήματος, και το είδος της σύνδεσης. Αν χρησιμοποιήσετε περισσότερα από ένα subwoofers, οι θέσεις των πλήκτρων θα πρέπει να είναι σε όλα ίδιες.

Σημείωση: Τα ρυθμιστικά έντασης, VOLUME LINE και VOLUME SPEAKER λειτουργούν μόνο για τις αντίστοιχες εισόδους (RCA line και ακροδέκτες ηχείων). Το ρυθμιστικό Volume που δεν χρησιμοποιείται, θα πρέπει να είναι τελείως χαμηλωμένο.

Ρυθμίσεις για συστήματα οικιακού κινηματογράφου

Αρχικά, βάλτε το ρυθμιστικό έντασης (VOLUME – LINE ή SPEAKER) στη θέση που αντιστοιχεί στην ένδειξη "9:00" ενός ρολογιού.

Βάλτε το διακόπτη LOW-PASS FILTER στη θέση OUT.

Βάλτε το διακόπτη EQ αρχικά στη θέση A.

Βάλτε το διακόπτη PHASE αρχικά στη θέση 0°.

Αν χρησιμοποιείτε τους ακροδέκτες ηχείων για τη σύνδεση του subwoofer, βάλτε το ρυθμιστικό

LOW-PASS FREQ στο 140. Αν χρησιμοποιείτε τις υποδοχές line, η θέση του ρυθμιστικού αυτού δεν έχει σημασία.

Για περισσότερες λεπτομέρειες διαβάστε πιο κάτω, την ενότητα "Τελικές ρυθμίσεις".

Αυτό το subwoofer δεν είναι σχεδιασμένο για το σύστημα THX®, αλλά αν έχετε, μπορείτε να το χρησιμοποιήσετε με έναν επεξεργαστή THX®. Αν έχετε τέτοιο επεξεργαστή, βεβαιωθείτε ότι η λειτουργία subwoofer είναι ενεργοποιημένη. Η λειτουργία αυτή περιλαμβάνει όλα τα φίλτρα και τις στάθμες για subwoofer, σε όλους τους τύπους αναπαραγωγής / επεξεργασίας. Για να ρυθμίσετε τις στάθμες, θα πρέπει να χρησιμοποιήσετε το δοκιμαστικό σήμα και τα σχετικά ρυθμιστικά πλήκτρα του επεξεργαστή THX®. Σε κάθε περίπτωση οι στάθμες θα πρέπει να ρυθμιστούν έτσι, ώστε, με το δοκιμαστικό σήμα του επεξεργαστή, να επιτυγχάνεται SPL 75dB (C-weighted) στη θέση ακρόασης.

Με άλλο τύπου επεξεργαστές surround, πριν ρυθμίσετε τις στάθμες ορίστε τα δύο εμπρόσθια ηχεία ως "μεγάλα" ή "μικρά", ανάλογα με την ικανότητά τους να αποδίδουν τα μπάσα. Χρησιμοποιήστε το δοκιμαστικό σήμα και τα ρυθμιστικά έντασης του επεξεργαστή για να ρυθμίσετε τις εντάσεις όλων των ηχείων. Αλλάξτε τη θέση του ρυθμιστικού VOLUME του subwoofer μόνο αν ο επεξεργαστής δεν φτάνει το εύρος που χρειάζεται για ρυθμίσεις τις εντάσεις στη σωστή στάθμη. Στο εμπόριο κυκλοφορούν φτηνοί μετρητές έντασης ήχου, με τους οποίους μπορείτε να υπολογίσετε τις στάθμες. Για περισσότερες πληροφορίες διαβάστε και τις οδηγίες που συνοδεύουν τον επεξεργαστή.

Ρυθμίσεις για στερεοφωνικά συστήματα

Αρχικά, βάλτε το ρυθμιστικό έντασης (VOLUME – LINE ή SPEAKER) στη θέση που αντιστοιχεί στην ένδειξη "9:00" ενός ρολογιού.

Βάλτε το διακόπτη LOW-PASS FILTER στη θέση IN.

Βάλτε το διακόπτη EQ αρχικά στη θέση A.

Βάλτε το διακόπτη PHASE αρχικά στη θέση 0°.

Ρυθμίστε το πλήκτρο LOW-PASS FREQ έτσι ώστε αντιστοιχεί στα -6dB της χαμηλής συχνότητας αποκοπής των ηχείων-"δоруφóρων". Σημείωση: Στα χαρακτηριστικά των ηχείων της B&W εμφανίζονται και οι δύο τιμές, -3dB και -6dB. Αν ο κατασκευαστής των δικών σας ηχείων δίνει μόνο την τιμή -3dB, η βέλτιστη θέση του ρυθμιστικού LOW-PASS FREQ θα βρίσκεται μεταξύ 0,6 και 0,9 επί την τιμή αυτή. Όσο πιο σταδιακή είναι η συχνότητα roll-off των ηχείων-"δоруφóρων", τόσο πιο χαμηλά θα πρέπει να οριστεί η συχνότητα LOW-PASS.

Για περισσότερες λεπτομέρειες διαβάστε την ενότητα "Τελικές ρυθμίσεις" που ακολουθεί.

Τελικές ρυθμίσεις

Πριν κάνετε τις τελικές ρυθμίσεις ελέγξτε πάλι όλες τις συνδέσεις του συστήματος και βεβαιωθείτε ότι έχουν γίνει σωστά και είναι ασφαλείς.

Συστήματα οικιακού κινηματογράφου

Στα συστήματα οικιακού κινηματογράφου το subwoofer δέχεται το σήμα ενός ξεχωριστού καναλιού (LFE, το κανάλι ".1" ενός συστήματος 5.1), και δεν ενισχύει απλά τα μπάσα του συνολικού ακουσματος. Το φίλτρο LOW-PASS παραμένει απενεργοποιημένο (ή στη μέγιστη θέση), γιατί ο επεξεργαστής παρέχει όλο το "φιλτράρισμα" που απαιτείται για τα ηχεία που έχουν οριστεί ως "μικρά".

Αντίθετα, ο διακόπτης PHASE ίσως πρέπει να ρυθμιστεί. Φυσιολογικά, η φάση θα πρέπει να είναι στο 0°, αλλά αν το subwoofer είναι τοποθετημένο σε δυσανάλογη απόσταση από τα άλλα ηχεία, ή αν ο ενισχυτής που οδηγεί τα άλλα ηχεία αντιστρέφει το σήμα, η θέση 180° ίσως είναι προτιμότερη. Ακούστε το subwoofer με το διακόπτη και στις δύο θέσεις, και επιλέξτε αυτή που δίνει το πληρέστερο άκουσμα. Αν η διαφορά είναι μικρή, αφήστε το διακόπτη στη θέση 0°.

Οι επεξεργαστές surround παρέχουν συνήθως ένα δοκιμαστικό σήμα με τη βοήθεια του οποίου μπορείτε να ρυθμίσετε τις στάθμες όλων των ηχείων του συστήματος, κάνοντας έτσι τη διαδικασία λίγο πιο απλή από ότι θα ήταν σε ένα στερεοφωνικό σύστημα. Ωστόσο, αν το θεωρείτε αναγκαίο μην διστάσετε να ρυθμίσετε τις στάθμες σύμφωνα με τις δικές σας προτιμήσεις. Είναι εύκολο να παρασυρθεί κανείς από τη δυνατότητα του subwoofer να αποδίδει τις χαμηλές συχνότητες, και να τις υπερτονίσει επηρεάζοντας έτσι αρνητικά το συνολικό άκουσμα, ειδικά όταν αποδίδονται ορισμένα μπάσα εφέ ταινιών. Συχνά, μία πιο ρεαλιστική, και μακροπρόθεσμα πιο ευχάριστη, ηχητική εικόνα επιτυγχάνεται βάζοντας το subwoofer σε χαμηλότερη θέση από αυτή που ορίζει η τυπική ρύθμιση μέσω του δοκιμαστικού σήματος.

Στερεοφωνικά συστήματα

Κάντε τις αρχικές ρυθμίσεις. Με τα ηχεία στη τελική θέση που έχετε επιλέξει βάλτε να παίζει ένα μουσικό κομμάτι με σταθερά μπάσα.

Οι βέλτιστες ρυθμίσεις του διακόπτη PHASE και του πλήκτρου LOW-PASS FREQ είναι αλληλένδετες, ενώ εξαρτώνται και από τη χαμηλή συχνότητα αποκοπής των ηχείων-"δоруφóρων". Ωστόσο, οι θέσεις που συνιστώνται πιο πάνω για τα δύο αυτά πλήκτρα έχουν δοκιμαστεί και λειτουργούν ικανοποιητικά με τα περισσότερα ηχεία.

Ξεκινώντας με τις αρχικές ρυθμίσεις, ελέγξτε πρώτα το διακόπτη PHASE. Επιλέξτε τη θέση που δίνει το πληρέστερο άκουσμα. Συνήθως η συνιστώμενη θέση (0°) είναι και η ιδανική, αλλά υπάρχουν περιπτώσεις – π.χ. αν το subwoofer

είναι τοποθετημένο μακριά από τα άλλα ηχεία, ή αν ο ενισχυτής που οδηγεί τα άλλα ηχεία αντιστρέφει το σήμα – όπου η θέση 180° ίσως δώσει καλύτερο αποτέλεσμα.

Στη συνέχεια ρυθμίστε την ένταση του subwoofer με το πλήκτρο VOLUME (LINE ή SPEAKER), έτσι ώστε να σας ικανοποιεί η στάθμη του σε σχέση με αυτή των "δουροφόρων". Κάντε δοκιμές ακούγοντας αρκετά και διαφορετικού είδους μουσικά κομμάτια, μέχρι να πλησιάσετε όσο γίνεται σε μία "χρυσή τομή". Μία ρύθμιση που μπορεί να ακούγεται εντυπωσιακή με κάποιο είδος μουσικής ίσως να είναι υπερβολική για κάποιο άλλο. Κάντε τις ακουστικές δοκιμές με τη συνολική ένταση σε ρεαλιστικό επίπεδο, γιατί η αντίληψη της ακουστικής ισορροπίας αλλάζει με τις διαφορετικές εντάσεις.

Τέλος, ρυθμίστε το πλήκτρο LOW-PASS FREQ έτσι ώστε η μετάβαση των συχνοτήτων μεταξύ "δουροφόρων" και subwoofer να είναι όσο το δυνατό πιο ομαλή.

Για όλες τις εφαρμογές

Ο διακόπτης BASS EXTENSION έχει τρεις επιλογές για την ενίσχυση των μπάσων, με τη θέση A να δίνει τη μεγαλύτερη, και τη θέση C τη μικρότερη ενίσχυση. Αν πρόκειται να χρησιμοποιήσετε το σύστημα σε πολύ υψηλή ένταση ή σε μεγάλο χώρο ακρόασης, καλό είναι να επιλέξετε μία από τις θέσεις B ή C, έτσι ώστε να μην χρειαστεί το subwoofer να ξεπεράσει τα όρια των δυνατοτήτων του. Στις περισσότερες άλλες περιπτώσεις η θέση A δίνει το καλύτερο αποτέλεσμα.

Ο διακόπτης EQ ρυθμίζει την ευθυγράμμιση roll-off των χαμηλών συχνοτήτων. Τα μπάσα που ακούτε είναι ένας συνδυασμός του ήχου του subwoofer και της ακουστικής του χώρου, και γι' αυτό θα πρέπει να βάλετε το διακόπτη αυτόν στη θέση που ταιριάζει περισσότερο στο χώρο και στο σημείο που έχετε τοποθετήσει το subwoofer. Η θέση A δίνει μία περισσότερο "επίπεδη" ευθυγράμμιση, που είναι η κατάλληλη για χώρους με μεγάλη αντήχηση ή αν έχετε τοποθετήσει το subwoofer κοντά σε γωνία. Η θέση B προτείνεται για χώρους με μικρή αντήχηση και όταν το subwoofer βρίσκεται μακριά από γωνίες.

Η "άνιση" απόδοση των μπάσων οφείλεται συνήθως στην ακουστική του χώρου, και αξίζει να πειραματιστείτε λίγο ως προς τη θέση του subwoofer ή/και των ακροατών για να έχετε καλύτερο αποτέλεσμα. Ακόμα και μία μικρή αλλαγή στη θέση του ηχείου (π.χ. 1 – 1,5 m) μπορεί να βελτιώσει σημαντικά το συνολικό ήχο.

Η χρήση περισσότερων από ένα subwoofers μπορεί να εξομαλύνει το πρόβλημα των αντηχήσεων του χώρου, αφού κάθε subwoofer θα διεγείρει αντηχήσεις σε διαφορετικές συχνότητες. Αν αλλάξετε τις σχετικές αποστάσεις μεταξύ του subwoofer (ή των subwoofers), των "δουροφόρων", και της θέσης

ακρόασης, εξετάστε πάλι τη θέση του διακόπτη PHASE. Μπορείτε επίσης να ρυθμίσετε πάλι την ένταση, είτε από το πλήκτρο VOLUME του subwoofer είτε από τα αντίστοιχα πλήκτρα του ενισχυτή / επεξεργαστή, αλλά μόνο αφού έχετε βεβαιωθεί ότι ο διακόπτης PHASE είναι στη σωστή θέση.

Φροντίδα του ηχείου

Κανονικά, ο μόνος καθαρισμός που απαιτεί το φινιρίσμα του subwoofer είναι ένα ξεσκόνισμα. Εάν θέλετε να χρησιμοποιήσετε κάποιο καθαριστικό με τη μορφή σπρέι, αφαιρέστε πρώτα την προστατευτική γρίλια, τραβώντας την προσεκτικά από την καμπίνα. Ρίξτε το σπρέι στο πανί με το οποίο θα καθαρίσετε το ηχείο και όχι κατευθείαν επάνω στην καμπίνα. Δοκιμάστε το πρώτα σε μία μικρή επιφάνεια γιατί κάποια καθαριστικά μπορεί να προκαλέσουν ζημιά. Μην χρησιμοποιείτε ιδιαίτερα δραστικά καθαριστικά, ή καθαριστικά που περιέχουν οξέα, αλκαλικά στοιχεία ή αντιβακτηριδιακά, και σε καμία περίπτωση μην χρησιμοποιήσετε καθαριστικό στο μεγάφωνο. Φροντίστε να μην πέσει καθαριστικό επάνω στη γρίλια, γιατί μπορεί να αφήσει σημάδια. Καθαρίστε το ύφασμα της γρίλιας – αφού την αφαιρέσετε από το ηχείο – με μία απλή βούρτσα ρούχων. Αποφύγετε να αγγίξετε το μεγάφωνο, γιατί μπορεί να του προκαλέσετε ζημιά. Πριν καθαρίσετε το subwoofer θέστε το εκτός λειτουργίας και βγάλτε το από την πρίζα.

Μην χρησιμοποιείτε το subwoofer σαν τραπέζι. Αν υπάρχουν αντικείμενα επάνω του όταν είναι σε λειτουργία μπορεί να τρίζουν από τις δονήσεις και να επηρεάσουν το άκουσμα. Προσέξτε ιδιαίτερα ώστε να μη χυθούν υγρά επάνω στο ηχείο (π.χ. από ποτά ή βάζα).

Αν δεν πρόκειται να χρησιμοποιήσετε το σύστημά σας για μεγάλο χρονικό διάστημα, βγάλτε το subwoofer από την πρίζα.

Русский

Руководство по эксплуатации

Введение

Уважаемый покупатель,

Благодарим за приобретение активного сабвуфера производства компании Bowers & Wilkins!

Пожалуйста, внимательно прочтите данное руководство. Оно поможет оптимизировать характеристики Вашей аудиосистемы. B&W поддерживает сеть специализированных дистрибьюторов более чем в 60-ти странах. Если у Вас возникли какие-либо проблемы, с которыми не может справиться дилер, наши дистрибьюторы охотно придут к Вам на помощь.

Информация по защите окружающей среды



Все продукты B&W созданы в полном соответствии с международными директивами по ограничению использования опасных материалов (Restriction of Hazardous Substances – RoHS) в электрическом и электронном оборудовании, а также по его утилизации (Waste Electrical and Electronic Equipment – WEEE). Знак перечеркнутого мусорного бака означает соответствие директивам и то, что продукт должен быть правильно утилизирован или переработан. Проконсультируйтесь с вашей местной организацией, которая занимается утилизацией отходов, по вопросам правильной сдачи вашего оборудования в утиль.

Содержимое упаковки

Убедитесь, что в коробке имеется:

- 1 сетевой кабель
- 1 дополнительная упаковка, содержащая:
 - 4 шипа с резьбой M6
 - 4 резиновых опоры с резьбой M6
 - 4 контргайки (плоские 10 мм)

Инсталляция

Сабвуфер спроектирован как для работы в составе комплектов домашнего театра, так и для дополнения басовой составляющей «полнодиапазонных» колонок в 2-канальных аудио системах. Любая аудио система требует продуманного подхода к инсталляции для реализации ее полного потенциала, и в этой Инструкции приводится руководство по достижению оптимального звучания.

Сабвуфер требует подсоединения к электрической сети, поэтому важно, чтобы вы ознакомились со всеми инструкциями по безопасности и соблюдали все меры предосторожности. Сохраните эту Инструкцию в надежном месте для будущего руководства.

Панель с органами управления и разъемами для подключения сабвуфера (Рис. 1)

1. Индикатор состояния.
2. Выключатель On, Auto, Stand-by.
3. Регулировка уровня на линейном входе.
4. Регулировка уровня на колоночном входе.
5. Частота среза фильтра высоких частот LPF.
6. Селектор фильтра высоких частот LPF.
7. Переключатель расширения басов.
8. Переключатель эквалайзера.
9. Переключатель фазы.
10. 12-В триггерный вход.
11. Разъемы линейного входа (левый и правый).
12. Клеммы колоночного входа (левая и правая).
13. Вход сетевого питания.
14. Корпус внешнего предохранителя.

Применение сабвуфера

Основная функция сабвуфера – воспроизведение канала низкочастотных эффектов Low Frequency Effects (LFE), получаемого от аудио видео процессора. Кроме того, процессор может быть настроен на перенаправление низкочастотных составляющих от некоторых или всех каналов в канал LFE. Обычно это делается путем задания колонок «малыми» – “small” в ходе процедуры установки процессора.

В 2-канальных аудио системах сабвуфер используется для воспроизведения басов, более низких, чем могут выдать сателлитные колонки. Кроссовер сабвуфера должен быть настроен таким образом, чтобы сабвуфер начинал работать там, где отдача сателлитных колонок начинает падать.

Размещение и инсталляция сабвуфера

Наши уши с трудом определяют направление на источник низкочастотного звука, поэтому расположение сабвуферов в комнате для прослушивания, вообще говоря, менее критично, чем для полнодиапазонных колонок. Однако наилучшие результаты обычно получаются, если сабвуфер установить между левой и правой АС, поблизости к одной из них. Если используется два сабвуфера, то лучше всего установить один около левой, а другой – около правой колонки. Размещение сабвуфера за спиной слушателей, даже в многоканальных системах окружающего звука, обычно приводит к ухудшению звукового образа, но может оказаться приемлемым компромиссом, если это диктует обстановка в доме.

Как и для других акустических систем, близость к границам комнаты влияет на звучание сабвуфера. Громкость по низким частотам возрастает по мере того, как все больше стен приближается к источнику звука. Однако, в отличие от полнодиапазонных колонок, общий баланс в

системе можно подкорректировать, отрегулировав уровень громкости сабвуфера. Чем больше усиление, получаемое за счет стен помещения, тем меньшую громкость следует установить, и тем меньше нагрузка на сабвуфер; но в этом есть и негативная сторона. Сабвуферы, размещенные в углах, часто порождают множество комнатных резонансов, делая бас более неравномерным по частоте. Здесь ничто не может заменить эксперимент, т.к. все комнаты ведут себя по-разному, так что сабвуфер следует попробовать установить во множестве разных мест, прежде чем сделать окончательный выбор. Музыкальные произведения с басовыми партиями, повышающими или понижающими свою частоту, могут оказаться полезными для оценки гладкости басового отклика. Внимательно вслушайтесь в слишком громкие или же слишком тихие ноты.

Если сабвуфер будет использоваться в замкнутом пространстве (например, встраиваться в мебель), то должна быть обеспечена вентиляция, достаточная для его охлаждения. Посоветуйтесь со своим дилером по этому вопросу.

Сабвуфер предназначен только для напольной установки. Важно всюду, где это возможно, обеспечить прочное положение сабвуфера на полу с помощью шипов, входящих в комплект. Шипы рассчитаны на то, чтобы проткнуть ковер и опираться на поверхность пола. Сначала наверните контргайки на шипы так, чтобы остался небольшой зазор над ковром при шипах, прочно стоящих на полу. Заверните шипы до упора в отверстие с резьбой в основании корпуса сабвуфера. Если корпус шатается, отверните назад шипы, которые не касаются пола, чтобы он прочно встал на все опоры. Наконец, затяните контргайки в сторону корпуса. Более удобно отрегулировать высоту шипов после того, как вы выберете оптимальное место для колонок.

Если у вас нет ковра, и вы хотите избежать царапин на полу, используйте защитные металлические диски (например, монеты), вставляемые между шипами и полом, или же установите резиновые ножки из комплекта. Привинтите резиновые опоры и выровняйте корпус точно так же, как и в случае с шипами.

Защитная решетка (гриль), прикрепленная на фронтальной поверхности сабвуфера, может быть снята по желанию. Однако будьте осторожны и не касайтесь подвижных деталей драйвера (динамика), чтобы не повредить их.

Использование нескольких сабвуферов

Используя несколько сабвуферов в одной установке, вы можете улучшить качество звучания следующим образом:

- Сохранить разделение стерео каналов вплоть до самых нижних частот.
- Сгладить влияние низкочастотных резонансов помещения.

- Увеличить максимальное звуковое давление.

Если два сабвуфера используются в 2-канальной аудио системе, разделение стерео каналов можно улучшить лишь в том случае, когда в каждом канале имеется собственный сабвуфер, установленный около соответствующей сателлитной колонки.

Электрические соединения

Во избежание повреждений отсоедините питание всего аудио оборудования на время проверки всех подсоединений.

Сабвуфер принимает сигналы линейного уровня через гнезда RCA Phono (позиция 11 на рис. 1), а также сигналы высокого уровня через клеммы (позиция 12 на рис. 1), расположенные на задней панели.

Выбирая способ соединения сабвуфера в вашей аудиосистеме, воспользуйтесь следующими рекомендациями:

Применение: Домашний театр

Сабвуфер подсоединен к AV процессору без встроенных усилителей мощности: рис. 2.

Сабвуфер подсоединен к AV процессору со встроенными усилителями мощности::

- с использованием входов линейного уровня: рис. 3
- с использованием входов высокого уровня: рис. 4

Примечание: в домашних кинотеатрах всегда лучше подсоединить сабвуфер сигналом линейного уровня.

Применение: 2-канальная аудиосистема

Сабвуфер подсоединен к интегрированному усилителю:

- с использованием входов линейного уровня: рис. 5
- с использованием входов высокого уровня: рис. 6

Два сабвуфера, подсоединенные к интегрированному усилителю:

- с использованием входов линейного уровня: рис. 7
- с использованием входов высокого уровня: рис. 8

Сабвуфер подсоединен к предусилителю или усилителю мощности:

- с использованием входов линейного уровня: рис. 9
- с использованием входов высокого уровня: рис. 10

Два сабвуфера, подсоединенные предусилителю или усилителю мощности:

- с использованием входов линейного уровня: рис. 11

- с использованием входов высокого уровня:
рис. 12

Перед проверкой качества звучания

Перед проверкой качества звучания новой аудиосистемы и её точной настройкой, дважды проверьте правильность всех соединений. Убедитесь в том, что:

1. Правильно выбрана фаза – если используются входы высокого уровня, убедитесь, что положительные клеммы на сабвуфере (маркированные + и красного цвета) подключены к положительным клеммам колонок, а отрицательные (маркированные – и черного цвета) подключены к отрицательным клеммам колонок. Неправильный выбор фазы приводит к размытости звука с неустойчивым звуковым образом или к нехватке басов, или к тому и к другому вместе.
2. Правый и левый каналы не перепутаны. Это может привести к тому, что, скажем, звучание инструментов в оркестре покажется зеркально отражённым или же, что ещё более неприятно, звуки в домашнем театре не будут совпадать с происходящим на экране телевизора.

Включение и выключение питания

Рекомендуется включать сабвуфер после всех остальных компонентов, а выключать его, наоборот, первым.

Переключатель On/Auto/Standby (позиция 2 на рис. 1) и индикатор состояния Status Indicator (позиция 1 на рис. 1) работают следующим образом:

On: При переключателе в этом положении, сабвуфер постоянно остаётся включённым и световой индикатор светится зелёным цветом.

Auto: При переключателе в положении Auto, при первом включении сабвуфер полностью включается и световой индикатор светится зелёным цветом. Примерно через 5 минут, если на вход не поступил сигнал, сабвуфер автоматически переходит в режим «сна» (готовности) и цвет индикатора меняется на красный. При обнаружении входного сигнала усилитель автоматически переходит в рабочий режим и индикатор становится зелёным. Затем сабвуфер опять вернется в режим «сна» (готовности), если не будет получать сигнал более 5 минут.

Аудио видео процессоры с системами автоматической коррекции акустики помещения могут быть сбиты с толку сабвуферами с функцией автоматического включения / «засыпания». При этом может возникнуть потенциально опасная ситуация. Лучше всего включить сабвуфер полностью на время процедуры автонастройки, если процессор ее использует.

Standby: При переключателе в положении Standby сабвуфер переходит в активное состояние, когда на его вход подается триггерный (пусковой) сигнал 12 В Trigger Input (позиция 10 на рис. 1). Нулевое напряжение на этом входе вернет сабвуфер в состояние «сна». Индикатор светится зеленым, когда сабвуфер активен, и красным – когда он переходит в состояние «сна».

Настройка сабвуфера с помощью органов управления

Сабвуфер снабжен 7-ю органами управления:

- Регулятором громкости по линейному входу VOLUME (LINE) (позиция 3 на рис. 1)
- Регулятором громкости по колоночному входу высокого уровня VOLUME (SPEAKER) (позиция 4 на рис. 1)
- Регулятором частоты среза LOW-PASS FREQ (позиция 5 на рис. 1)
- Выключателем НЧ-фильтра LOW-PASS FILTER (позиция 6 на рис. 1)
Примечание: Этот переключатель затрагивает только линейный вход – LINE. Фильтр всегда находится на пути сигнала, поступающего на вход колоночного уровня – SPEAKER LEVEL.
- Выключателем режима расширения басов BASS Extension (позиция 6 на рис. 1)
- Выключателем режима эквализации EQ (позиция 8 на рис. 1)
- Переключателем фазы PHASE (позиция 10 на рис. 1)

Оптимальное положение регуляторов зависит от того, какое оборудование используется совместно с сабвуфером и способа его соединения. При использовании более одного сабвуфера, убедитесь, что регуляторы обоих сабвуферов находятся в одинаковом положении.

Примечание: Регуляторы громкости VOLUME (LINE) и VOLUME (SPEAKER) действуют только на своих входах. Не используемый регулятор громкости лучше всего вывести на минимум.

Настройки для домашнего театра

Установите регуляторы громкости VOLUME (LINE) или SPEAKER) для начала в положение «9 часов».

Установите выключатель LOW-PASS FILTER в положение OUT.

Установите выключатель EQ для начала в положение A.

Установите переключатель фазы PHASE для начала в положение 0°.

Установите регулятор частоты среза LOW-PASS FREQ в положение 140, если используются входы колоночного уровня.

Эта установка ни на что не влияет, если используются входы линейного уровня.

См. также раздел «Точная настройка».

Сабвуфер не является лицензированным компонентом THX®, но, при желании, может быть использован с контроллером THX®. Если Вы пользуетесь контроллером THX®, убедитесь, что активирована его функция сабвуфера. В этом случае контроллер сам выполняет всю фильтрацию сигнала и установку уровня для сабвуфера во всех режимах. Для калибровки уровня громкости следует использовать тестовый генератор шума и регуляторы уровня каналов контроллера THX®. Во всех случаях на месте прослушивания должен быть достигнут уровень звукового давления 75 дБ (взвешен по кривой C) на шумовом тестовом сигнале.

При использовании других процессоров, охарактеризуйте фронтальные АС и тыловые АС как "большие" или "малые" перед калибровкой уровня громкости. Для калибровки уровня громкости используйте встроенный генератор шума и регуляторы уровня каналов процессора. Изменяйте положение регулятора VOLUME сабвуфера только в том случае, если процессор не обладает достаточным диапазоном для достижения правильного уровня громкости. Для калибровки уровня хорошо использовать недорогие измерители звукового давления, которые продаются в магазинах электронной аппаратуры. Подробно о калибровке уровня громкости см. инструкцию по эксплуатации процессора.

В 2-канальной аудиосистеме

Установите регулятор громкости VOLUME (LINE или SPEAKER) для начала в положение «9 часов».

Установите выключатель LOW-PASS FILTER в положение IN.

Установите выключатель EQ для начала в положение A.

Установите переключатель фазы PHASE для начала в положение 0°.

Установите регулятор частоты среза LOW-PASS FREQ на ту частоту, где характеристика спутников снижается на -6 дБ. Примечание: Значения частоты как для -3 дБ, так и для -6 дБ можно найти в технических характеристиках любой колонки B&W. Если же производитель спутников приводит в паспорте только частоту для уровня -3дБ, оптимальная настройка для LOWPASS FREQ должна быть где-то между 0.6 и 0.9 от этого значения. Чем более плавно спадает характеристика спутников на низких частотах, тем более низкая частота должна быть установлена.

См. также раздел "Точная настройка".

Точная настройка Домашний театр

В системах домашнего театра поступающий на сабвуфер сигнал низкочастотных эффектов (LFE) представляет собой отдельный канал, а не продолжение сигнала, подаваемого на другие

колонки. НЧ фильтр (LOW-PASS FILTER) выключается (или ставится на максимум), так как процессор обеспечивает всю фильтрацию для любых колонок, охарактеризованных как "малые". Однако положению переключателя фазы PHASE должно быть при этом выбрано. Обычно фаза устанавливается на 0°, но если сабвуфер расположен на гораздо большем расстоянии от слушателя, чем другие колонки, или же если усилитель мощности, питающий другие колонки, инвертирует сигнал, то положение 180° может оказаться предпочтительнее. Произведите прослушивание с переключателем в обоих положениях и выберите то, которое обеспечивает наиболее насыщенное басами звучание. Если разница небольшая, оставьте переключатель в положении 0°.

Обычно процессоры окружающего звука имеют генератор тестового шумового сигнала, используемый для установки относительных уровней громкости всех колонок, что облегчает настройку системы домашнего кинотеатра по сравнению с двухканальной аудиосистемой. Однако не бойтесь менять настройку в соответствии с Вашим вкусом. Очень легко увлечься возможностями сабвуфера, особенно специфическими низкочастотными эффектами. Все же, наиболее реалистичное и, в конечном итоге, наименее утомительное звучание достигается установкой уровня сабвуфера ниже, чем стандартный уровень калибровки.

2-канальная аудиосистема

Расставьте аудиосистему в предпочтительной конфигурации и запустите музыкальную программу с постоянным басовым компонентом.

Оптимальные установки переключателя PHASE и регулятора LOW-PASS FREQ взаимосвязаны и, помимо этого, зависят от параметров НЧ спада характеристики спутников. Тем не менее, рекомендованные выше установки PHASE и LOW-PASS FREQ хорошо работают для большинства случаев и басовых характеристик спутников. Используя начальные установки, сначала проверьте положение переключателя фазы PHASE.

Выберите такое положение, при котором получается наиболее полновесный звук. Обычно рекомендованное положение оказывается оптимальным, но иногда это может быть не так. Например, если Вы используете соединения линейного уровня, а усилители мощности, питающие спутники, инвертируют сигнал; или если сабвуферы расположены далеко от спутников.

После этого установите громкость сабвуфера VOLUME (LINE или SPEAKER) по отношению к спутникам в зависимости от личного вкуса. Для выбора усредненного варианта, прослушайте разнообразные музыкальные произведения. То, что впечатляет на одном материале, может показаться слишком мощным для другого.

Восприятие баланса зависит от уровня громкости, поэтому производите прослушивание на разумной громкости.

Наконец, выберите частоту регулятором LOW-PASS FREQ так, чтобы стыковка характеристик сабвуфера и сателлитов была максимально плавной.

Во всех случаях

Выключатель BASS EXTENSION имеет три положения для расширения отдачи сабвуфера по басам. Положение А дает самую расширенную отдачу, а С – наименьшую. Положение В – это компромиссный вариант. Если система будет использоваться на очень больших уровнях громкости или в больших помещениях, ограничение расширения отдачи сабвуфера по басам выбором В или С может помочь удостовериться, что от сабвуфера не потребуются превышать свои предельные возможности. В большинстве ситуаций переключатель BASS EXTENSION должен быть оставлен в положении А.

Переключатель частотной коррекции EQ изменяет вид НЧ спада характеристики сабвуфера. Наше восприятие баса зависит как от сабвуфера, так и от реакции помещения. Выбирайте положение переключателя, обеспечивающее наилучший результат в данном помещении и при данном местоположении сабвуфера. Положение А дает более сдержанное, «сухое» звучание и лучше работает при угловом размещении сабвуфера или в гулкой комнате. Положение В больше подходит для "глухой" комнаты и размещения сабвуфера вдали от угла.

Если Вы ощущаете неравномерность баса – т.е. некоторые басовые тона звучат более подчеркнuto, чем остальные – то причиной этого может быть резонанс помещения, и в этом случае следует поэкспериментировать с расположением сабвуфера. Даже небольшое, – около 15 см, – перемещение может существенно повлиять на качество звука. Попробуйте не только передвигать сабвуфер, но и приподымать его над полом. Использование нескольких сабвуферов может сгладить резонанс, т.к. каждый сабвуфер будет вызывать резонанс на своих частотах. При существенном изменении расстояния от сабвуфера (или сабвуферов) и сателлитов до слушателей необходимо заново проверить положение переключателя фазы PHASE. Также, проверьте уровень громкости сабвуфера (при помощи выходного сигнала процессора или регулятора громкости сабвуфера VOLUME, по ситуации), но сперва необходимо правильно настроить фазу.

Уход за сабвуфером

Обычно требуется лишь периодически стирать пыль с корпуса сабвуфера куском мягкой сухой ткани. При использовании аэрозольных чистящих средств, их следует распылять не прямо на корпус, а на ткань. Не применяйте абразивные,

кислотные, щелочные или антибактериальные средства. Сначала снимите декоративную решетку, чтобы не запачкать ее, однако будьте осторожны и не повредите динамик. Для начала проверьте действие аэрозоля на небольшом участке поверхности. Решётку можно чистить мягкой щёткой. Отключите сабвуфер, прежде чем чистить его.

Не используйте сабвуфер в качестве столика. При включении сабвуфера предметы, лежащие на нём, будут дребезжать. В особенности, избегайте ставить на сабвуфер вазы с цветами, стаканы с напитками и т.п., так как пролитая жидкость может вызвать повреждения аппарата. Если ваша аудио система долго не используется, отсоедините сабвуфер от электросети.

Česky

Návod k použití

Úvod

Vážený zákazníku,

děkujeme vám, že jste si vybral výrobek firmy Bowers & Wilkins. Dříve než výrobek rozbalíte a nainstalujete, přečtěte si prosím pozorně celý tento manuál. Pomůže Vám optimalizovat výsledný efekt. Firma B&W udržuje ve více než 60ti zemích síť autorizovaných distributorů, kteří Vám pomohou vyřešit problém v případě, že Vám nemůže pomoci Váš prodejce.

Informace k životnímu prostředí



Produkty B&W jsou konstruovány tak, aby byly zcela v souladu s mezinárodními předpisy upravujícími použití nebezpečných materiálů v elektrických a elektronických zařízeních (RoHS) a aby umožňovaly ekologickou likvidaci opotřebovaných elektrických a elektronických zařízení (WEEE). Symbol přeškrtnuté popelnice značí soulad s nařízeními na recyklovatelnost výrobku či možnost jiného zpracování, požadovaného příslušnými předpisy. V případě nejasností jak naložit s výrobky určenými k likvidaci se prosím obraťte na místně příslušný orgán státní správy, nebo na vašeho prodejce.

Obsah kartonu

Zkontrolujte příslušenství:

- 1 napájecí kabel
- 1 balíček příslušenství obsahující:
 - 4 hroty se závitem M6
 - 4 gumové nožičky se závitem M6
 - 4 pojistné matice

Instalace

Tento subwoofer je určen jak pro použití v sestavách domácího kina, tak i pro rozšíření rozsahu nízkých frekvencí v klasických dvoukanálových aplikacích. V obou případech je však potřeba instalaci provést promyšleně, aby byl výsledný efekt co nejlepší. K tomu by vám měl pomoci i tento manuál.

Aktivní subwoofer vyžaduje připojení k elektrické síti, proto je v zájmu vaší bezpečnosti důležité se dobře seznámit se všemi bezpečnostními pravidly a důsledně je dodržovat. Ušchovejte si prosím tento manuál pro budoucí použití.

Ovládací prvky subwooferu a terminály pro připojení (obrázek 1)

1. Indikátor stavu
2. Přepínač ON (zapnuto) / Auto / Stand-by
3. Regulace hlasitosti pro linkový vstup
4. Regulace hlasitosti pro vstup reproduktorové úrovně
5. Frekvence dolnoproústného filtru

6. Zap. / vyp. dolnoproústného filtru
7. Přepínač rozšíření basů
8. Přepínač ekvalizace
9. Přepínač otočení fáze
10. Vstup 12V spínání
11. Linkový vstup (pravý a levý)
12. Vstup pro reproduktorovou úroveň
13. Vstup pro napájecí kabel
14. Uložení externí pojistky

Aplikace

Primární funkcí subwooferu je reprodukce separátního basového kanálu, do kterého AV procesor posílá nízkofrekvenční efekty (LFE). AV procesor však do subwooferu může posílat také část nízkých frekvencí z kteréhokoliv jiného kanálu a k signálům LFE ji přimíchat. Obvykle se tak stane, pokud v nastavení AV procesoru zadáte u některých reprodustáv „small“, tedy že jsou maloobjemové a nemají tak plný rozsah basů.

V případě dvoukanálových systémů pak může být subwoofer použit k posílení a rozšíření basového pásma, například jsou-li hlavní reprodustavy menší a jejich reprodukce basů je omezená. Dolnoproústný filtr s regulovatelnou frekvencí umožňuje bezproblémové sladění subwooferu s reprodustavami.

Umístění a instalace subwooferu

Protože pro lidský sluch je obtížné směřově lokalizovat zdroj nízkých frekvencí, není obvykle volba umístění subwooferu až tak kritická jako v případě klasických, plnorozsahových reprodustav. Nicméně nejlepšího výsledku se většinou dosáhne, je-li subwoofer umístěn mezi pravou a levou přední reprodustavou, nebo alespoň blízko jedné z nich. Pokud používáte dva subwoofery, je nejlepší umístit jeden blízko levé a druhý blízko pravé reprodustavy. Umístění subwooferu za poslechové místo má obvykle za následek horší zobrazení basů, je však stále akceptovatelným kompromisem.

Stejně jako v případě klasických reprodustav, ovlivňuje reprodukci subwooferu výrazně také akustika místnosti. Basy mohou být zdůrazněné díky rezonančním módům místnosti a odrazům od stěn (čím blíže je reprodustava zdi, tím více jsou basy zdůrazněny). V případě instalací se subwooferem je sice možno úroveň basů doladit pomocí regulace zesílení na subwooferu (zdůrazňuje-li místnost nízké frekvence, můžeme je na subwooferu ubrat), nicméně lépe je tyto rezonance způsobující frekvence nevyrównanost odstranit. Snažte se tedy neumístit subwoofer blízko rohů místnosti. Tato doporučení však nemusí platit vždy, akustické podmínky místnosti jsou velmi různorodé a proto se při hledání nejlepšího místa pro instalaci subwooferu vyplatí experimentovat a vyzkoušet různé možnosti. Pro testování je dobré použít takovou nahrávku, která obsahuje široké spektrum frekvencí. Basová část této nahrávky by pak při poslechu neměla být uměle zdůrazněna ani potlačena.

Pokud má být subwoofer umístěn v nějakém omezeném prostoru (např. zabudován v nábytku), musí tento prostor dovolovat volné proudění vzduchu nutné pro chlazení přístroje. Umístění můžete konzultovat se svým prodejcem.

Subwoofer je navržen pro umístění přímo na podlahu. Je velmi důležité, aby na podlaže stál pevně a proto – je-li to alespoň trochu možné – použijte dodávané hroty. Tyto hroty jsou navrženy tak, aby pronikly kobercem až na pevný povrch podlahy. Zašroubujte hroty až na doraz do otvorů se závitů, které se nacházejí na spodní stěně subwooferu. Může se stát, že se subwoofer na hrotech kolébá. V takovém případě povyšroubujte vždy dva z hrotů, které na podlahu nedosedají, dokud subwoofer nebude stát pevně. Pak opět utáhněte pojistné matice směrem k základně subwooferu. Nastavování hrotů je nejlépe provádět až tehdy, když je subwoofer postaven na místě kde bude hrát.

Pokud nepoužíváte koberec a máte obavu z poškození povrchu podlahy, použijte mezi podlahu a hrot nějakou kovovou podložku, nebo místo hrotů použijte dodávané gumové nožičky. Tyto nožičky pak našroubujte do otvorů pro hroty.

Chcete-li, můžete demontovat mířku uchycenou na přední straně reprosoustavy. Dejte však pozor, aby jste se nedotkli membrány reproduktoru, mohlo by dojít k jejímu poškození.

Použití více než jednoho subwooferu

Použití více subwooferů v jedné instalaci vylepšuje dojem z reprodukce v následujících bodech:

- Udržuje separaci kanálů na nízkých frekvencích.
- Průběh basů v místnostech s velkými rezonancemi je vyrovnanější.
- Umožňuje větší maximální zvukovou úroveň, což je dobře využitelné pro neomezenou reprodukci speciálních efektů v aplikaci domácího kina.

V případě použití dvou subwooferů ve dvoukanálovém audio systému bude separace kanálů nejlepší, pokud každý kanál bude využívat jeden subwoofer umístěný v blízkosti reprosoustavy.

Elektrické připojení

Odpojte všechny přístroje v systému od napájení, dokud nebude signálové propojení zcela hotovo. Zabráňte tak možnému poškození systému. Subwoofer umožňuje jak linkové připojení pomocí konektorů RCA Phono (položka 11 na obrázku 1.), tak i propojení přes reproduktorovou úroveň (položka 12 na obrázku 1.). Následující instrukce vám mohou být vodítkem pro nalezení nejlepšího propojení ve vaší instalaci.

Aplikace: Domácí kino

Subwoofer připojený na AV procesor s oddělenými koncovými zesilovači: Obrázek 2.

Subwoofer připojený na AV procesor s integrovanými koncovými zesilovači:

- pomocí linkového vstupu: Obrázek 3

- přes reproduktorovou úroveň: Obrázek 4

Upozornění: V instalaci domácího kina je vždy lepší připojovat subwoofer přes linkový vstup.

Aplikace: 2-kanálové stereo

Subwoofer zapojený na integrovaný zesilovač:

- pomocí linkového vstupu: Obrázek 5
- přes reproduktorovou úroveň: Obrázek 6

Dva subwoofery zapojené na integrovaný zesilovač:

- pomocí linkového vstupu: Obrázek 7
- přes reproduktorovou úroveň: Obrázek 8

Subwoofer zapojený na předzesilovač / konc. zesilovač:

- pomocí linkového vstupu: Obrázek 9
- přes reproduktorovou úroveň: Obrázek 10

Dva subwoofery zapojené na předzesilovač / konc. zesilovač:

- pomocí linkového vstupu: Obrázek 11
- přes reproduktorovou úroveň: Obrázek 12

Před prvním poslechem

Dříve než váš systém s novým subwooferem zapnete a začnete provádět finální doladění, raději dvakrát prověřte všechna propojení. Zkontrolujte především:

1. Zda je v pořádku fáze. Pokud používáte propojení přes reproduktorovou úroveň, zkontrolujte zda je kladný terminál u subwooferu (označený červeně a znaménkem +) připojen ke kladnému a negativní (označený černě a znaménkem -) k negativnímu terminálu u zesilovače. Nesprávné zapojení by mělo za následek nepřehledný zvuk se špatnými basy.
2. Zda není zaměněn levý a pravý kanál. Při záměně jednoho kanálu za druhý budete chybně vnímat rozmístění nástrojů v hudební scéně a v případě domácího kina nebude směr zvuku korespondovat s děním na zobrazovači.

Zapínání a vypínání

Subwoofery je nejlépe zapínat až po tom, co byly zapnuty všechny ostatní přístroje v systému. Přepínač On/Auto/Standby a indikátor stavu pracují následovně:

On (zapnuto): V tomto režimu je subwoofer stále aktivní a indikátor svítí zeleně.

Auto: Po přepnutí do tohoto režimu je subwoofer aktivní a indikátor svítí zeleně. Pokud však do subwooferu není déle než 5 minut přiváděn signál, automaticky se vypne do pohotovostního režimu a indikátor začne svítit červeně. Jakmile subwoofer na svém vstupu detekuje příchozí signál, automaticky se zapne a indikátor začne opět svítit zeleně. Po skončení signálu je subwoofer ještě 5 minut aktivní a vypne se opět až když během této doby neobdrží žádný signál.

Používáte-li procesor, který má funkci automatického nastavení pomocí mikrofonu, je dobré mít subwoofer

po dobu nastavování přepnutý trvale do zapnutého stavu. Funkce automatického spínání by totiž během nastavování mohla dělat procesoru problémy.

Standby: S přepínačem v pozici Standby je subwoofer vypnutý do pohotovostního stavu a indikátor svítí červeně. Pokud má váš systém 12V spínací výstup a subwoofer je k němu pomocí svého 12V vstupu (položka 10 na obrázku 1.) připojen, může systém subwoofer spínat. Je-li na tento vstup přivedeno 12V, subwoofer se zapne a indikátor svítí zeleně, 0V pak znamená vypnutí subwooferu, přičemž indikátor začne svítit červeně.

Nastavení ovládacích prvků subwooferu

Na zadním panelu je 7 ovladačů:

- Hlasitost pro linkový vstup (položka 3 na obr. 1.)
- Hlasitost pro reproduktorovou úroveň (položka 4 na obr. 1.)
- Frekvence dolnoproústného filtru (položka 5 na obr. 1.)
- Přepínač dolnoproústného filtru (položka 6 na obr. 1.)

Poznámka: Tato funkce je dostupná pouze při použití linkového (LINE) vstupu. Při použití vstupu pro reproduktorovou úroveň (SPEAKER LEVEL) je filtr stále zapnut.

- Přepínač rozšíření basů (položka 7 na obr. 1.)
- Přepínač ekvalizace (položka 8 na obr. 1.)
- Přepínač fáze (položka 9 na obr. 1.)

Správné nastavení je závislé na zařízeních používaných v systému společně se subwooferem a také na způsobu propojení. Používáte-li více stejných subwooferů v jednom systému, dbejte aby nastavení u všech subwooferů bylo shodné.

Upozornění: Regulace hlasitosti pro linkový vstup a pro vstup reproduktorové úrovně pracují nezávisle, každá pro určitý vstup. Hlasitost u nepoužívaného vstupu je nejlépe nastavit na „Min.“.

Nastavení pro domácí kino

Ovladač hlasitosti „VOLUME“ (dle používaného vstupu – LINE nebo SPEAKER) nastavte zhruba na pozici devíti hodin.

Přepínač dolnoproústného filtru „LOW-PASS FILTER“ přepněte do pozice OUT.

Přepínač ekvalizace „EQ“ přepněte pro začátek do pozice A.

Přepínač fáze „PHASE“ přepněte pro začátek do pozice 0°.

Pokud je použito propojení přes reproduktorovou úroveň, nastavte ovladač frekvence dolnoproústného filtru „LOW-PASS FREQ“ na hodnotu 140. Toto nastavení nemá význam v případě použití linkového propojení.

Pro více informací si přečtěte si kapitolu „Finální doladění“.

Tento subwoofer sice není THX® certifikovaným produktem, je však možné jej s THX® zařízením používat. Pokud používáte THX® zařízení, ujistěte se, zda je funkce subwooferu v nastavení aktivována. To zahrnuje všechna nastavení filtrace a úrovně požadované pro subwoofer ve všech modech. Pro kalibraci úrovně může být použit testovací šumový signál a ovladače pro nastavení úrovně kanálů u THX® zařízení. Ve všech případech by nastavení úrovní mělo být takové, aby šlo testovacím šumovým signálem v místě poslechu docílit 75dB SPL (C-vážno).

U ostatních procesorů napřed v nastavení nakonfigurujte přední a surroundové reprosoustavy, podle toho zda jsou „malé“ či „velké“ a teprve potom nastavte úrovně kanálů. Použijte šumový testovací signál a příslušné ovládací prvky k nastavení úrovně jednotlivých kanálů. Ovladač hlasitosti na subwooferu přenastavte jen tehdy, nepostačuje-li rozsah nastavení na procesoru k docílení správné úrovně. Na trhu jsou také cenově dostupné přístroje pro měření úrovně zvuku, které lze pro kalibraci použít. Pro nastavení úrovní si přečtěte také manuál od svého procesoru.

Nastavení pro dvoukanalové stereo

Ovladač hlasitosti VOLUME (dle používaného vstupu – LINE nebo SPEAKER) nastavte zhruba na pozici „devíti hodin“.

Přepínač LOW-PASS FILTER přepněte do pozice IN.

Přepínač EQ přepněte pro začátek do pozice A.

Přepínač PHASE přepněte pro začátek do pozice 0°.

Ovladač LOW-PASS FREQ (nastavení frekvence dolnoproústného filtru) nastavte na hodnotu, která odpovídá dolnímu konci frekvenčního rozsahu satelitních reprosoustav, udávanému na poklesu -6db. Důležité: firma B&W udává u svých reprosoustav spodní frekvenci jak na poklesu -6db, tak i na -3db. Pokud však budete používat reprosoustavy jiného výrobce, který udává dolní konec rozsahu jen na -3db, mělo by být optimální nastavení někde mezi 0,6 až 0,9 násobku uvedené hodnoty.

Pro více informací si přečtěte si kapitolu „Finální doladění“.

Finální doladění

Domácí kino

V systémech domácího kina je hlavní úlohou subwooferu především reprodukce samostatného basového kanálu (LFE), obsahujícího nízkofrekvenční efekty. Nízkoproústný filtr (LOW-PASS FILTER) je tedy lepší vypnout (nebo nastavit jeho frekvenci na maximum), protože LFE kanál není třeba filtrovat a používáte-li jako satelity maloobjemové reprosoustavy, lze je nakonfigurovat jako „malé“ přímo na AV procesoru, který filtrace obstará sám. Na subwooferu je však třeba správně nastavit fázi. Normálně je fáze nastavena na 0°, je-li ovšem subwoofer umístěn daleko od ostatních reprosoustav, nebo otáčící-li zesilovač použitý pro ostatní reprosoustavy fázi signálu, může být pro

zvuk systému lepší u subwooferu zvolit variantu 180°. Poslechněte si obě varianty a zvolte tu, při které je zvuk na basech plnější. Pokud je rozdíl minimální, nechte přepínač v pozici 0°.

Surroundové procesory obvykle používají kalibrační šumový signál, který je určen pro relativní nastavení hlasitosti všech reprosoustav na stejnou úroveň, což je výhodou oproti 2 kanálovým sestavám. Pro zdůraznění basových efektů některých nahrávek může být lepší zvolit pro subwoofer vyšší úroveň než je kalibrační, naopak pro realističtější nebo dlouhý poslech může být příjemnější úroveň nižší.

Dvoukanálové audio

Umístěte subwoofer na pozici kde má hrát. Optimální nastavení „PHASE“ a „LOW-PASS FREQ“ je závislé na dolní mezní frekvenci použitých satelitních reprosoustav. Dříve než začnete s jemným dolad'ováním je třeba, aby bylo provedeno základní nastavení popsané výše v kapitole „Nastavení pro dvoukanálové stereo“. Pro dolad'ování si vyberte nějakou nahrávku se stálou basovou linkou.

Ponechte vše v základním nastavení a nejprve vyzkoušejte změnu při přepínání „PHASE“. Vyberte variantu, při které je zvuk na basech plnější. Obvykle je lepší základní nastavení na 0°, je-li však subwoofer umístěn daleko od ostatních reprosoustav, nebo otáčeli zesilovač použitý pro ostatní reprosoustavy fází signálu, může být lepším řešením přepnout na 180°.

Dále je třeba doladit úroveň hlasitosti subwooferu ovladačem označeným „VOLUME“ (záleží na způsobu propojení zda LINE či SPEAKER) vůči satelitním reprosoustavám. Použijte více různých nahrávek, aby jste docílili optimálního zvuku. Nastavení které nejvíce vyhovuje jedné nahrávce, nemusí být optimální pro nahrávku jinou. Poslouchejte při reálné hlasitosti a nastavte subwoofer tak, aby byl zvuk celého systému co nejvíce vyvážený.

Na závěr dolad'te frekvenci filtru ovladačem „LOW-PASS FREQ“ tak, aby byl přechod mezi subwooferem a satelitními reprosoustavami co nejhladší.

Pro všechny aplikace

Přepínač „BASS EXTENSION“ nabízí tři možnosti rozšíření basů. Pozice

A poskytuje největší a pozice C nejmenší rozšíření. Pozice B je pak kompromisním nastavením. Je-li systém používán při velmi vysokých hlasitostech, nebo ve velké místnosti, lze omezením rozšíření basů pomocí přepnutí na B či C zabránit tomu, aby byl překročen limit čisté a nezkrácené reprodukce. Proto je v mnoha situacích dobré zvolit přepínačem „BASS EXTENSION“ jinou variantu nežli A.

Pomocí přepínače EQ lze změnit také frekvenční průběh basů u subwooferu. Basy které slyšíte jsou kombinací zvuku subwooferu a efektů, způsobených akustikou místnosti. Je tedy třeba zvolit nastavení v závislosti na místnosti a umístění subwooferu.

Nastavení na A poskytuje spíše „sušší“ reprodukci a je tak vhodné spíše při umístění subwooferu v rohu místnosti, či pro kompenzaci nízkofrekvenčních rezonancí. Varianta B je vhodná při méně rezonující akustice, či při umístění subwooferu dále od rohů místnosti.

Máte-li problém s nevyrovnanými basy – některé tóny jsou výraznější než ostatní – jedná se s největší pravděpodobností o rezonance způsobené akustikou místnosti a je pak dobré experimentovat s pozicí pro umístění subwooferu. I malá změna pozice subwooferu – třeba jen 15 cm – může zřetelně ovlivnit zvuk. Při použití více subwooferů v místnosti s rezonující akustikou mohou basy působit vyrovnanějším dojmem, protože každý ze subwooferů může vybudovat rezonance na jiných frekvencích. Pokud během dolad'ování výrazněji změníte vzdálenost subwooferu od satelitních reprosoustav, nezapomeňte znovu vyzkoušet nastavení přepínače PHASE. Také můžete znovu zkontrolovat správnost nastavení úrovně subwooferu (za použití nastavování úrovně kanálů u procesoru či pomocí ovladače VOLUME na zadním panelu subwooferu). To však provádějte až tehdy, jste-li si jisti správným nastavením fáze.

Údržba

Povrch subwooferu obvykle vyžaduje jen občasné setření prachu. Pokud chcete použít aerosolový či jiný čistící prostředek, demontujte napřed krycí mřížku jemným tahem od ozvučnice. Sprej nanášejte na utěrku, nikoli přímo na ozvučnici. Čistící prostředek vždy nejprve vyzkoušejte na malé ploše, některé čistící prostředky by totiž mohly povrch reprosoustavy poškodit. Vyvarujte se produktů které obsahují brusiva, kyseliny či alkoholové, popř. antibakteriální složky. Žádná čisticidla nepoužívejte na samotný reproduktor. Látka použitá na krycí mřížce může být čistěna klasickým kartáčem na šaty, napřed je však třeba ji demontovat od ozvučnice. Nikdy se nedotýkejte membrány reproduktoru, mohlo by dojít k jejímu poškození. Před každým čišťením subwoofer vždy raději vypněte.

Nikdy nepoužívejte subwoofer jako stolek. Je-li přístroj v provozu, mohly by věci položené na jeho kabinetu rezonovat. Je také riziko poškození povrchu subwooferu tekutinami (např. od sklenic či váz).

Nebudete-li systém delší dobu používat, odpojte subwoofer od napájecí sítě.

Magyar Kezelési útmutató

Bevezető

Kedves Vásárló!

Köszönjük, hogy Bowers & Wilkins terméket vásárolt. Kérjük, olvassa el figyelmesen ezt az útmutatót a termék kicsomagolása és üzembe helyezése előtt, mert segíteni fog az optimális használatban. A B&W több mint 60 országban tart fenn értékesítő hálózatot, mely segít bármilyen probléma megoldásában, amire kereskedője nem tud válaszolni.

Környezeti információk



A B&W termékeket az elektromos és elektronikus berendezésekben előforduló veszélyes alapanyagokra vonatkozó korlátozó (RoHS), valamint az elektronikus és elektromos berendezések hulladékként történő elhelyezésére vonatkozó nemzetközi előírásoknak (WEE) megfelelően tervezték. Ezek a szimbólumok megfelelőséget jelölnek, valamint azt, hogy a termék ezeknek az előírásoknak megfelelően kell újrahasznosítani, feldolgozni. Lépjön kapcsolatba a helyi hatóságokkal, ha tanácsra van szüksége.

A doboz tartalma

Ellenőrizze, hogy a dobozban megtalálhatók-e a következő tartozékok:

- 1 darab hálózati csatlakozóvezeték
- 1 darab tartozékcsomag a következőkkel:
 - 4 darab M6-os tüsketalp
 - 4 darab M6-os gumitalp
 - 4 darab rögzítő anyacsavar (10 mm-es, lapos)

Üzembe helyezés

A mélysugárzót házi mozi rendszerekhez és 2-csatornás hangrendszerek „szélessávú” hangsugárzóinak mélyhang alátámasztására tervezték. Minden hangrendszer üzembe helyezésekor átgondoltan kell eljárni, ha teljesen ki szeretné használni a rendszer teljesítményét. Ebben a folyamatban segítségére lehet ez az útmutató.

A mélysugárzót csatlakoztatni kell a hálózati áramforráshoz, ezért tanulmányozza át a biztonsági előírásokat, és tartson be minden figyelmeztetést. Tartsa meg ezt az útmutatót, mert később még szüksége lehet rá.

A mélysugárzó csatlakoztatása és a vezérlőpanel (1. ábra)

1. Állapotjelző
2. Be, automatikus üzemmód, készenléti állapot kapcsoló
3. Vonalszintű bemenet hangerőszabályzója
4. Hangsugárzó szintű bemenet hangerőszabályzója
5. Aluláteresztő szűrő frekvenciája

6. Aluláteresztő szűrő választó kapcsolója
7. Mélyhang kiterjesztés kapcsoló
8. Hangzaskiegyenlítő kapcsoló
9. Fázisfordító kapcsoló
10. 12V-os indítójel bemenet
11. Vonalszintű bemeneti aljzatok (bal és jobb)
12. Hangsugárzó jelszintű csavaros bemeneti aljzatok (bal és jobb)
13. Hálózati áramforrás bemenet
14. Külső olvadóbiztosító tartó

A mélysugárzó alkalmazása

A mélysugárzó elsődleges funkció egy audio-vizuális jelfeldolgozó alacsony frekvenciás effekt csatornája (LFE) jeleinek reprodukálása. Mindezek mellett a jelfeldolgozót be lehet úgy állítani, hogy egyes vagy minden csatorna mélyhangjának egy részét az LFE információk közé irányítsa. Ez történik rendszerint a „kis méretű” hangsugárzó kiválasztásakor a jelfeldolgozó beállítása eljárása során.

2-csatornás hangrendszerek esetében mélysugárzóval terjeszthető ki a szatellit hangsugárzók mélyhang átvitele tartomány. A mélysugárzó aluláteresztő szűrőjét úgy kell beállítani, hogy a mélysugárzó onnantól vegye át a mélyhangokat, ahol a szatellit hangsugárzók kimenete csökken.

Mélysugárzó elhelyezése és üzembe helyezése

A fül gyengén érzékeli az alacsonyfrekvenciás hangok forrásának helyét, így a mélysugárzó elhelyezése kevésbé kritikus a szélessávú hangsugárzókhoz képest. Mindezek ellenére a legjobb eredményt úgy érheti el, ha a mélysugárzót a bal és jobb hangsugárzók között, vagy egyikük közelében helyezi el. Amennyiben két mélysugárzót használ, az egyiket célszerű a bal, a másikat a jobb hangsugárzó mellé helyezni. A hallgatási pozíció mögött elhelyezett mélysugárzó még többcsatornás surround hangrendszerek esetében is rossz minőségű hangképet eredményez, de elfogadható kompromisszum lehet, ha a szoba berendezése mást nem tesz lehetővé.

Mint minden hangsugárzó esetén, a szoba falainak közelsége befolyásolja a hangsugárzó hangját. A mélyhangok mennyisége növekszik, ahogy több felület kerül közel a hangsugárzóhoz. A szélessávú hangsugárzóktól eltérően, a rendszer egyensúlya korigálható a mélysugárzó szintjének beállításával. Minél jobban erősíti a szoba, annál kisebb hangerőt kell beállítani, és annál kevesebbet kell dolgozni a mélysugárzónak. Ennek természetesen van hátránya is. A sarkokban elhelyezett mélysugárzók gyakran több alacsony frekvenciás szoba rezonanciát hoznak létre, egyenlőtlenebbé téve a basszus frekvenciában. A kísérletezés semmivel sem helyettesíthető a végleges pozíció megválasztása előtt, mivel minden szoba másképp viselkedik. A basszus kiegyensúlyozottságának megítélésére hasznos lehet

olyan zenedarabot hallgatni, ahol a mélyhangok vonala a zenei skálán süllyed és emelkedik. Figyelje meg a hangos és halk hangjegyeket.

Ha a mélyszugárzót szűk térben szeretné használni (pl. beépített bútorban), a helyet szellőztetni kell, hogy megfelelő mennyiségű levegő hűthesse a készüléket. Kérje kereskedője tanácsát. A mélyszugárzó csak a padlóra helyezhető. Fontos biztosítani a mélyszugárzó stabilitását a padlón a tusketalpak használatával, ahol lehetséges. A tusketalpakot úgy tervezték, hogy átszűrjék a szőnyeget, és a padló felületére támaszkodjanak. Először csavarja az anyacsavarokat a tuskékre annyira, hogy az anyák éppen a szőnyeg felett legyenek, amikor a tuskék a padlóhoz érnek. Csavarja a tuskékat teljesen a menetes lyukakba a hangdobozon. Ha a hangdoboz billeg a padlón, csavarja ki a padlóval nem érintkező két tuskét, hogy hangdoboz ne billegjen. Végül csavarja be az anyákat a hangdobozig. Célszerűbb a tuskékat akkor felszerelni és beállítani, miután megtalálta a hangszugárzó optimális helyét. Ha nincs szőnyeg, és szeretné elkerülni a padló karcolását, használjon védő fóliát (például egy pénzérme) a tüske és a padló között, vagy használja a mellékelt gumitalpakot. Csavarjon be egy-egy gumitalpat a hangdoboz alján található menetekbe.

A mélyszugárzó előlapján található selyem eltávolítható. Ne érintse meg a hangszóró mozgó részeit, mert sérülést okozhat.

Több hangszugárzó használata

Több mélyszugárzó használatával egyetlen térben kétféle módon fokozható a teljesítmény:

- A sztereó szeparáció fenntartása az alacsony frekvenciákon is.
- Az alacsonyfrekvenciás szoba rezonanciák hatásának kiküszöbölése.
- Nagyobb maximális hangteljesítmény létrehozása.

Ha két mélyszugárzót használ egy 2-csatornás hangrendszerben, a sztereó szeparáció csak akkor javul, ha a csatornához tartozó mélyszugárzót a megfelelő szatellit hangszugárzóhoz közel helyezi el.

Elektromos csatlakozások

Szüntesse meg minden, az audio rendszerbe tartozó készülék csatlakozását a hálózati áramforrással, amíg nem csatlakoztatta a jelvezetéseket, és nem ellenőrizte le a csatlakozásokat. Ezzel elkerülheti károkozás veszélyét csatlakoztatás közben. A mélyszugárzó képes vonalszintű jelek fogadására körkörös RCA aljzatokkal (az 1. ábra 11-es eleme), és hangszugárzó szintű jelek fogadására csavaros aljzatokkal (az 1. ábra 12-es eleme). A következő segédlet használva válassza ki a megfelelő csatlakozási módot:

Alkalmazás: Házi mozi

Mélyszugárzó az AV jelfeldolgozóhoz csatlakoztatva, különálló végerősítővel: 2. ábra

Mélyszugárzó az AV jelfeldolgozóhoz csatlakoztatva, integrált végerősítővel:

- vonalszintű bemenetet használva: 3. ábra
- hangszugárzó szintű bemenetet használva: 4. ábra

Megjegyzés: A hangszugárzót mindig jobb a vonalszintű bemenetein keresztül csatlakoztatni a házi mozi rendszerhez.

Alkalmazás: 2-csatornás hang

Mélyszugárzó integrált erősítőhöz csatlakoztatva:

- vonalszintű bemenetet használva: 5. ábra
- hangszugárzó szintű bemenetet használva: 6. ábra

Két mélyszugárzó integrált erősítőhöz csatlakoztatva:

- vonalszintű bemenetet használva: 7. ábra
- hangszugárzó szintű bemenetet használva: 8. ábra

Mélyszugárzó elő/végerősítőhöz csatlakoztatva:

- vonalszintű bemenetet használva: 9. ábra
- hangszugárzó szintű bemenetet használva: 10. ábra

Két mélyszugárzó elő/végerősítőhöz csatlakoztatva:

- vonalszintű bemenetet használva: 11. ábra
- hangszugárzó szintű bemenetet használva: 12. ábra

Meghallgatás előtt

Üzembe helyezett, új mélyszugárzójának meghallgatása és finomhangolása előtt ellenőrizze le a csatlakozásokat. Különösképpen figyeljen a következőkre:

1. A fázis megfelelő legyen. Ha a hangszugárzó szintű bemeneteket használta, győződjön meg róla, hogy a mélyszugárzó pozitív aljzata (+ jelzésű és piros színű) az erősítő pozitív kimeneti aljzatához, a mélyszugárzó negatív aljzata (- jelzésű és fekete színű) pedig az erősítő negatív kimeneti aljzatához csatlakozzon. A helytelen csatlakoztatás zavaros hangot eredményezhet, gyenge basszussal.
2. A bal és jobb csatornának felcserélése a zenekari elemek rossz helyen történő megjelenését okozhatja a sztereó képből, vagy a házi mozi effekték nem fognak megegyezni a képernyőn láttal jelenettel.

Be- és kikapcsolás

A mélyszugárzókat a legcélszerűbb az összes egyéb komponens után bekapcsolni, és először kikapcsolni. A be/automatikus/készenléti kapcsoló (2-es elem az 1. ábrán) a következők szerint működik:

On: Ha az On pozícióba állítja a kapcsolót, a mélyszugárzó teljesen aktív marad, és a jelző zölden világít.

Auto: Ha az Auto pozícióba állítja a kapcsolót, a mélysugárzó kezdetben teljesen aktív lesz, és a jelző zölden világít. Ha körülbelül 5 percig nincs bemeneti jel, a mélysugárzó „alvó” üzemmódbba kapcsol. A jelző pirosan világít. Ha bemeneti jelet érzékel, a mélysugárzó automatikusan aktív lesz, és a jelző zölden világít. A mélysugárzó körülbelül 5 perc múlva ismét alvó üzemmódbba kapcsol, ha nincs bemeneti jel.

Az „automatikus” beállító eljárást használó jelfeldolgozókat zavarhatja az automatikus bekapcsolás/alvás funkció. Elképzelhető, hogy olyan helyzet alakul ki, mely kárt okoz a rendszerben. A beállítási folyamat során a legjobb teljesen aktív állapotba kapcsolni a mélysugárzót, ha jelfeldolgozót használ.

Standby: Ha a kapcsolót Standby pozícióba állítja, a mélysugárzó akkor lesz aktív, amikor 12V feszültséget érzékel az indító bemenetén (10-es elem az 1. ábrán). A bemeneti nulla volt feszültség hatására a mélysugárzó alvó üzemmódbba kapcsol. A jelző zölden világít, ha a mélysugárzó aktív, és pirosan, ha alvó üzemmódbban van.

A mélysugárzó szabályzóinak beállítása

7 kezelőszerv áll rendelkezésre:

- A VOLUME (LINE) szabályzó (3-as elem az 1. ábrán)
- A VOLUME (SPEAKER) szabályzó (4-es elem az 1. ábrán)
- A LOW-PASS FREQ (frekvencia) szabályzó (5-ös elem az 1. ábrán)

- A LOW-PASS FILTER kapcsoló (6-es elem az 1. ábrán)

Megjegyzés: Ez kizárólag a LINE bemenetre vonatkozik. A SPEAKER LEVEL bemenetnél állandóan bekapcsolt üzemmódbban van.

- A BASS Extension kapcsoló (7-es elem az 1. ábrán)
- Az EQ (hangzáskiegyenlítő) kapcsoló (8-as elem az 1. ábrán)
- A PHASE kapcsoló (9-es elem az 1. ábrán)

A megfelelő beállítás a mélysugárzóval használt készülékektől és a csatlakoztatás módjától függ. Ha egyből több mélysugárzót használ, ellenőrizze, hogy mindegyik mélysugárzó ugyanúgy legyen beállítva.

Megjegyzés: A VOLUME (LINE) és VOLUME (SPEAKER) szabályzók csak a hozzájuk tartozó bemenetet befolyásolják. A használaton kívüli hangerőszabályzót a leghelyesebb a minimumra állítani.

Házi mozi beállítások

Állítsa kezdeti helyzetben a VOLUME (LINE vagy SPEAKER) szabályzót 9 óra pozícióba.

Állítsa a LOW-PASS FILTER kapcsolót OUT pozícióba.

Állítsa az EQ kapcsolót az A pozícióba.

Állítsa a PHASE kapcsolót a 0° pozícióba.

Állítsa a LOW-PASS FREQ (frekvencia) szabályzót 140-re, ha a hangsugárzó szintű bemeneteket használja.

A beállítás nincs hatással a működésre, ha a vonalszintű bemenetet használja.

Lásd a „Finomhangolás” című fejezetet a további információk tekintetében.

A mélysugárzó nem THX® minősítésű komponens, de használható THX® minősítésű vezérlővel. Ha THX® minősítésű vezérlőt használ, kapcsolja be a mélysugárzó funkciót. Ez magában foglal minden szűrős és jelszint beállítást minden üzemmódbban, mely a mélysugárzóhoz szükséges. A jelszint kalibrálásához a THX® vezérlő belső tesztzaját és csatorna jelszint szabályzóit kell használni. Minden esetben úgy kell beállítani a szinteket, hogy 75dB SPL (C-súlyozás) legyen mérhető a hallgatási pozícióban a vezérlő belső tesztzajával.

Más vezérlőknél konfigurálja az első és surround hangsugárzókat „nagyoknak” vagy „kicsinek”, mielőtt beállítja a szinteket. A vezérlő belső zaj tesztjelét és a hangerőszabályzóit használja a hangsugárzók szintjének beállításához. Csak akkor módosítsa a mélysugárzó hangerő szabályzóját, ha a vezérlőn nem lehet már megfelelő szintet beállítani. Olcsó hangnyomás mérőt vásárolhat elektronikai üzletekben, és ezt használhatja a jelszintek kalibrálásához. Olvassa el a vezérlő kezelési útmutatóját az jelszintek beállításának további részleteivel kapcsolatban.

2-csatornás hangrendszer beállításai

Állítsa kezdeti helyzetben a VOLUME (LINE vagy SPEAKER) szabályzót 9 óra pozícióba.

Állítsa a LOW-PASS FILTER kapcsolót IN pozícióba.

Állítsa az EQ kapcsolót az A pozícióba.

Állítsa a PHASE kapcsolót a 0° pozícióba.

Úgy állítsa be a LOW-PASS FREQ (frekvencia) szabályzót, hogy illeszkedjen a szatellit hangsugárzók -6dB-es alsó frekvenciahatárához. Megjegyzés: Mind a -6dB-es, mind pedig a -3dB-es érték megtalálható minden B&W hangsugárzó műszaki adatai között. Ha a szatellit hangsugárzó gyártója csak -3dB-es értéket ad meg, akkor az optimális LOW-PASS FREQ szabályzó beállítás az érték 0,9-szerese. Minél meredekebb a szatellit hangsugárzók alsó határfrekvenciája, annál alacsonyabb értéket kell beállítani

Lásd a „Finomhangolás” című fejezetet a további információk tekintetében.

Finomhangolás

Házi mozi

Házi mozi rendszerekben a mélysugárzó jele (LFE) különálló csatorna, nem pedig a szatellit hangsugárzók jelének kiterjesztése. A LOW-PASS FILTER kikapcsolásra kerül (vagy maximumra kell állítani), mert a jelfeldolgozó végezt minden szűrést a

„kis méretű” hangsugárzók esetén. A PHASE kapcsoló pozícióját továbbra is be kell állítani. A fázis normál esetben 0°, de ha a mélysugárzó jelentős távolságban helyezkedik el a többi hangsugárzótól, vagy a többi hangsugárzót meghajtó erősítő megfordítja a jelet, akkor jobb lehet a 180° pozíció. Hallgassa meg a rendszert a kapcsoló mindkét állásában, és válassza ki a teltebb hangot adó beállítást. Ha kicsi a különbség, hagyja a kapcsolót a 0° beállításnál.

A surround hang jelfeldolgozók általában rendelkeznek kalibrált zajjellel, mely használható az egyes hangsugárzók relatív jelszintjének beállításához, egyszerűbbé téve a beállítást, mint a 2-csatornás hang esetében. Ennek ellenére nyugodtan módosítsa a beállításokat tetszés szerint. Nagyon könnyen elragadhatja a mélysugárzó képessége, különösen néhány alacsony frekvenciás effekt esetén. Gyakran sokkal élethűbb a hatás, és hosszú távon hallgathatóbb, ha alacsonyabb szintre állítja a mélysugárzót, mint a kalibrált szint.

2-csatornás hang

Állítsa be a rendszert kívánt szerint, majd játszon le mélyhangot tartalmazó műsort.

A PHASE kapcsoló optimális beállítása és a LOW-PASS FREQ szabályzó függ egymástól, valamint a szatellit hangsugárzók alsó határfrekvenciájától is. A korábban ajánlott LOW PASS FREQ szabályzó és PHASE kapcsoló beállításokat úgy választottuk meg, hogy a legtöbb szatellit hangsugárzóval használhatók.

A kezdeti beállítások használatánál először ellenőrizze a PHASE kapcsoló állását. A teltebb hangot nyújtó pozíciót válassza. Általános esetben az ajánlott opció lesz az optimális, de nem minden körülmények között. Ilyen lehet például, ha a szatellit hangsugárzókat meghajtó erősítő megfordítja a jelet, vagy a mélysugárzó nincs elég közel a hangsugárzókhöz.

Következő lépésként állítsa be a mélysugárzó VOLUME (LINE vagy SPEAKER) szabályzóját a szatellit hangsugárzóknak és ízlésének megfelelően. Hallgasson meg számos műsort, hogy egy átlagosan jó beállítást készíthessen. Elképzelhető, hogy egy adott zeneszámon jó beállítás, túlzás lehet más zeneszámon. Normál hangerőn hallgassa a rendszert, mert az egységens a hangerőtől függően változik. Végül állítsa be a LOW-PASS FREQ szabályzót a legfinomabb átvitel érdekében a mélysugárzó és a szatellit hangsugárzó között.

Minden alkalmazásra

A BASS EXTENSION kapcsoló három opciót kínál a mélysugárzó mélyhangjának kiterjesztésére. Az „A” pozíció nyújtja a legnagyobb kiterjesztést, míg a „C” a legkisebbet. A „B” pozíció közepes beállításnak felel meg. Ha a rendszert nagyon magas hangerőn használja, vagy nagy helyiségben, a mélyhang kiterjesztés korlátozása biztosíthatja, hogy a mélysugárzót nem terheli túl. A legtöbb helyzetben a BASS EXTENSION kapcsolót „A” pozícióban kell használni.

Az EQ kapcsoló befolyásolja a mélysugárzó basszus határfrekvenciáját. A hallott mélyhangok a mélysugárzó és a szoba hatásából létrejövő hangok kombinációja. Ki kell választania azt a pozíciót, mely legjobban megfelel a szobának és a mélysugárzó pozíciójának. Az „A” pozíció „szárazabb” beállítást jelent, jobban megfelel a mélysugárzó sarkokban történő elhelyezésének, vagy kompenzálja a szoba rezonanciáját. A pozíció kevésbé rezonáns helyiségben használható, saroktól távol.

Ha a kiegyensúlyozatlan basszus problémát okoz – egyes mélyhangok sokkal erőteljesebbek másoknál – akkor valószínűleg szobaillesztési problémája van, és megéri kísérletezni a mélysugárzó elhelyezésével. A pozícióban történt kis mértékűnek tűnő változtatás – 15cm, és hasonló értékek – nagy hatással lehet a hangra. Több mélysugárzó használatával kiegyenlítheti a szoba rezonanciáját, mivel minden mélysugárzó máshol kelt rezonanciát. Ha jelentősen módosítja a relatív távolságot a mélysugárzóktól és szatellit hangsugárzóktól, újra végezze el a PHASE kapcsoló beállítását. Ellenőrizze a mélysugárzó hangerejét is (a jelfeldolgozó kimeneti szintjét vagy a mélysugárzó VOLUME szabályzóját használva), de csak a fázis megfelelő beállítása után.

Gondozás

A hangsugárzót rendszerint csak le kell porolni. Ha aeroszolos vagy egyéb tisztítószer szeretne használni, távolítsa el először az előlapot, óvatosan elhúzza a hangsugárzótól. Az aeroszolos tisztítószer a törlőkendőre fújja, ne közvetlenül a hangsugárzóra. Először kis területen próbálja ki, mert egyes tisztítószeresek kárt okozhatnak a felületben. Kerülje a sűrűlő vagy savat, alkáli, antibakteriális anyagokat tartalmazó szerek használatát. Ne használjon tisztítószer a hangszórókon. Az előlap szövet részét ruhakefével tisztíthatja, miután eltávolította az előlapot a hangsugárzóról. Kerülje a hangszóró érintését, mert kárt okozhat benne. Tisztítás előtt kapcsolja ki a mélysugárzót. Ne használja asztalként a mélysugárzót. Használat közben a mélysugárzón hagyott tárgyak zöröghetnek. Különösképpen fennáll a folyadékok kiömlésének veszélye (pl. italok, vagy virágvázák).

Ha hosszú ideig nem tervezi a rendszer használatát, húzza ki a mélysugárzó hálózati vezetékének csatlakozódugóját a fali konnektoraljzatból.

Polski

Instrukcja użytkownika

Wprowadzenie

Dropi Kliencie

Dziękujemy za nabycie produktu firmy Bowers & Wilkins. Jesteśmy pewni, że nasze kolumny głośnikowe zapewnią Państwu wiele miłych wrażeń oraz przyjemność ze słuchania muzyki. Jednak przed ich instalacją prosimy dokładnie zapoznać się z poniższą instrukcją obsługi. Pomoże to optymalnie wykorzystać możliwości produktu. B&W podtrzymuje sieć ekskluzywnych dystrybutorów w ponad 60 krajach. Dystrybutorzy będą w stanie pomóc, jeśli dealerzy nie poradzą sobie z ewentualnymi problemami.

Ochrona środowiska



Wszystkie produkty B&W są zgodne z dyrektywami RoHS (ograniczającą użycie związków niebezpiecznych) oraz

WEEE (regulującą przetworstwo zużytego sprzętu elektrycznego i elektronicznego). Symbole te wskazują na to, że urządzenia są zgodne z dyrektywami, a również że powinny być odpowiednio przetwarzane. Skonsultuj się z lokalnym punktem składowania odpadów w celu zasięgnięcia dalszych informacji.

Zawartość kartonu

Sprawdź, czy w opakowaniu znajduje się:

- 1 Kabel zasilający
- 1 Zestaw montażowy składający się z:
 - 4 kołców
 - 4 gumowych podkładek
 - 4 śrub (o przekątnej 10mm)

Instalacja

Subwoofer został zaprojektowany zarówno z myślą o instalacjach kina domowego, jak i stereo. Wszystkie instalacje audio wymagają pewnego dopracowania, aby mogły osiągnąć maksymalną jakość brzmienia. Subwoofer wymaga podłączenia go do gniazda sieciowego, a zatem należy zachować wszelkie względy bezpieczeństwa.

Podłączenie subwoofera i panel kontrolny (Rysunek 1)

1. Wskaźnik statusu.
2. Przyciski On, Auto, Standby
3. Poziom głośności wejścia liniowego
4. Poziom głośności głośnika
5. Częstotliwość filtra dolnoprzepustowego
6. Przetłumaczacz filtra dolnoprzepustowego
7. Przetłumaczacz rozszerzania basów
8. Przetłumaczacz equalizacji
9. Przetłumaczacz fazy
10. Wejście 12V wyzwalacza
11. Wejścia liniowe (lewe i prawe)

12. Wejścia liniowe zakręcane (lewe i prawe)

13. Wejście zasilania

14. Bezpiecznik zewnętrzny

Aplikacje z subwooferem

Głównym zadaniem subwoofera jest odtwarzanie sygnałów niskich częstotliwości (LFE). Procesor A/V można ponadto tak skonfigurować, aby sygnały o małych częstotliwościach normalnie podawane do głośników, były odfiltrowane z wyjść na inne głośniki i skierowane do subwoofera. Procedura ta polega na zadeklarowaniu wartości „small” (małe) dla wybranych głośników w menu (setup) procesora.

Subwoofer używany jest do uwydatnienia basu gdy używane są głośniki o konstrukcji satelitów. W większości przypadków, najlepsze rezultaty są uzyskiwane, jeśli otrzymują one pełny zakres mocy prosto od wzmacniacza. Filtr dolno-przepustowy (low-pass) przepuszcza niskie częstotliwości poniżej zakresu nie obsługiwanego już przez satelity.

Ustawienia subwoofera oraz instalacja

Ponieważ subwoofer wytwarza tylko niskie częstotliwości, jego ustawienie nie należy do tak krytycznych jak w przypadku głośników pełnozakresowych. Kierunkowość jest tu dużo mniejsza niż normalnych głośników pełnopasmowych, masz zatem więcej możliwości ustawienia subwoofera. Mimo tego najlepszy rezultat jest uzyskiwany zazwyczaj gdy subwoofer umiejscowiony jest pomiędzy prawym i lewym głośnikiem lub w pobliżu jednego z nich. Jeśli korzystasz z dwóch subwooferów, najlepiej jest ustawić jeden subwoofer przy głośniku prawym a drugi przy głośniku lewym. Ustawienie subwoofera z tyłu pozycji odsłuchowej, nawet gdy zainstalowany jest system surround, zazwyczaj powoduje, że otrzymywany dźwięk jest mało spójny, zamknięty. Konfiguracja taka jest jednak akceptowalna.

Tak jak w przypadku wszystkich głośników, na brzmienie subwoofera istotnie wpływa bliskość ścian i rogów pokoju. Im subwoofer stoi bliżej ścian, tym większe podbicie basu uzyskujemy i tym mniej wysilony jest głośnik. Nadwyżkę basu możemy łatwo skompensować gałką regulacji czułości subwoofera, ale jego zbliżanie do ściany nie można przeprowadzać bezkarnie. Duże podbicie basu przez pokój oznacza, że dźwięk będzie bardziej podbarwiony, mniej precyzyjny. Pasma przenoszenia staje się bardzo nierównomierne z uwagi na silne rezonanse pomieszczenia. Pamiętaj, że nic nie zastąpi eksperymentów odsłuchowych. Fragmenty muzyczne zawierające zwiększającą lub zmniejszającą skalę częstotliwości basowych, bądź przydatne dla właściwej oceny równomierności pasma niskotonowego.

Jeśli subwoofer używany jest w ograniczonej przestrzeni, pomieszczenie to powinno być wentylowane, tak aby urządzenie nie uległo przegrzaniu. Subwoofer został zaprojektowany z myślą o umieszczeniu go na podłodze. Istotne jest, aby stał on na podłodze pewnie, najlepiej na

dostarczonych wraz z nim kołcach. Kolce te przekuwają miękkie wykładziny lub dywany, stabilizując subwoofer, nie niszcząc przy tym dywanu. Jeśli urządzenie umiejscowione jest na powierzchni podatnej na zniszczenie, jak drewniana podłoga, zabezpiecz ją za pomocą gumowych nóżek lub ochronnych płytek. Po ustawieniu subwoofera, najpierw dokręć wszystkie kolce do samego końca, a następnie za pomocą delikatnego wykręcania (ew. wkręcania) tak je wyreguluj, aby urządzenie było całkowicie stabilne. Gdy po dokręceniu kołców obudowa nie stoi stabilnie, odkręć dwa kolce, które nie dotyczą do podłogi do momentu, w którym subwoofer nie spocznie nie nich.

Maskownica powinna być umieszczona z przodu głośnika może być zdjęta. Uważaj, aby nie dotknąć ruchomych elementów głośnika, ponieważ grozi to uszkodzeniem głośnika.

Użycie kilku subwooferów

Użycie więcej niż jednego subwoofera w jednym zestawie udoskonala jego możliwości w następujący sposób:

- Utrzymuje separację stereo do niższych częstotliwości.
- Lepiej wypełnia dźwiękiem większe pokoje odsłuchowe.
- Wygładza rezonanse pokoju przy efektach niskich częstotliwości.

Jeśli używasz dwóch subwooferów dla dwóch kanałów audio, separacja stereo jest udoskonalona, trafny jest ustawienie subwooferów blisko satelitów.

Podłączenia elektryczne

Odcłacz zasilanie całego zestawu dopóki nie wykonasz i nie sprawdzisz wszystkich połączeń. W przeciwnym razie może zostać uszkodzony cały sprzęt lub połączenia.

Subwoofer akceptuje zarówno sygnał wejścia liniowego poprzez gniazda RCA Phono (nr 11 na rys. 1) oraz sygnał głośnikowy poprzez gniazda zakręcane na tylnym panelu (nr 12 na rys. 2). Za pomocą poniższego opisu, wybierz odpowiednią metodę połączenia zestawu.

Zastosowanie: Kino Domowe

Subwoofer podłączony do procesora AV z oddzielnymi wzmacniaczami mocy. – rys. 2

Subwoofer podłączony do procesora AV ze zintegrowanym wzmacniaczem mocy:

- z liniowym wyjściem poziomu subwoofera – rys. 3
- z wyjściem głośnikowym – rys. 4

Uwaga: Ze względu na dźwięk, lepiej jest podłączać subwoofer połączeniem liniowym.

Aplikacja: 2-kanałowe audio

Subwoofer podłączony do wzmacniacza zintegrowanego:

- użycie wejść liniowych: Rysunek 5

- użycie wejść głośnikowych: Rysunek 6

Dwa subwoofery podłączone do wzmacniacza zintegrowanego:

- użycie wejść liniowych: Rysunek 7
- użycie wejść głośnikowych: Rysunek 8

Subwoofer podłączony do przedwzmacniacza/wzmacniacza mocy

- użycie wejść liniowych: Rysunek 9
- użycie wejść głośnikowych: Rysunek 10

Dwa subwoofery podłączone do przedwzmacniacza/wzmacniacza mocy

- użycie wejść liniowych: Rysunek 11
- użycie wejść głośnikowych: Rysunek 12

Przed uruchomieniem

Przed uruchomieniem nowego subwoofera sprawdź ponownie wszelkie połączenia. Upewnij się w szczególności czy:

1. Ustawiona jest odpowiednia faza. Jeśli użyte są wejścia głośnikowe, upewnij się, że dodatnie gniazda na subwooferze (oznaczone + oraz kolorem czerwonym) są podłączone do dodatnich wyjść we wzmacniaczu, oraz że ujemne gniazda na subwooferze (oznaczone – oraz kolorem czarnym) są podłączone do ujemnych wyjść we wzmacniaczu. Złe podłączenie skutkować może złym dźwiękiem.
2. Lewy i prawy kanał nie są wymienne. Złe podłączenie może skutkować przesunięciem sceny dźwiękowej.

Włączanie i wyłączenie subwoofera

Zalecamy włączać subwoofer przed odbiorze On/Auto/Standby (pozycja 2 na rysunku 1) i świecący się wskaźnik Status Indicator (pozycja 1 na rysunku 1) działa jak opisano poniżej:

On: Przy takim ustawieniu przełącznika, wzmacniacz jest cały czas aktywny a kontrolka świeci się na zielono.

Auto: Przy pierwszym przełączeniu subwoofera do trybu AUTO, wzmacniacz załączy się do trybu aktywnego i zaświeci się kontrolka na zielono. Po 5 minutowej przerwie dostarczania sygnału wejściowego, wzmacniacz automatycznie przełączy się do trybu czuwania (standby), a kontrolka zaświeci się na czerwono. Jeśli zostanie wykryty sygnał, wzmacniacz automatycznie przełączy się do trybu aktywnego, a kontrolka zaświeci się na zielono.

Procesory AV wyposażone w funkcję automatycznego strojenia mogą mieć problemy z subwooferami wyposażonymi w funkcję automatycznego włączania/wyłączania. Mogą się zdarzyć uszkodzenia. Najlepiej, gdy subwoofer jest włączony i w pełni aktywny podczas procesu ustawiania, gdy podłączony jest do niego procesor A/V.

Standby: Gdy przełącznik jest ustawiony na Standby, uaktywni się pod wpływem sygnału wysłanego za pośrednictwem 12V wyzwalacza, pod warunkiem, że został on wcześniej podłączony (pozycja 10 na

rysunku 1). Napięcie 0 voltów spowoduje, że subwoofer nie będzie aktywny. Kontrolka zapali się na zielono, gdy subwoofer będzie aktywny i na czerwono, gdy będzie w stanie oczekiwania.

Ustawienia przełączników

Subwoofer wyposażony jest w 7 przełączników:

- Przełącznik VOLUME (LINE) (pozycja 3 na rysunku 1)
- Przełącznik VOLUME (SPEAKER) (pozycja 4 na rysunku 1)
- Przełącznik LOW-PASS FREQ (pozycja 5 na rysunku 1)
- Przełącznik częstotliwości LOW-PASS FILTER (pozycja 6 na rysunku 1)
Uwaga: Odnosi się to wyłącznie do wejścia LINE. Filtr jest zawsze w obwodzie z wejście SPEAKER LEVEL.
- Przełącznik BASS (pozycja 7 na rysunku 1)
- Przełącznik EQ (wyrównanie) (pozycja 8 na rysunku 1)
- Przełącznik PHASE (faza) (pozycja 9 na rysunku 1)

Optymalne ustawienia zależą od innych używanych urządzeń z subwooferem. Jeśli korzystasz z drugiego subwoofera, upewnij się, że jego ustawienia są takie same.

Uwaga: Przełączniki VOLUME (LINE) i VOLUME (SPEAKER) mogą być ustawiane zgodnie z ich własnymi poziomami głośności. Nieużywany potencjometr głośności najlepiej ustawić na Min. (minimum).

Ustawienia kina domowego

Ustaw przełącznik VOLUME (LINE lub SPEAKER) na godzinę 9.

Ustaw przełącznik LOW-PASS FILTER na OUT.

Ustaw przełącznik EQ ustaw w pozycji A.

Ustaw przełącznik PHASE na 0°.

Ustaw przełącznik LOW-PASS FREQ na 140 jeśli używane są wejścia głośnikowe. Ustawienie jest irrelevantne gdy używane są wejścia liniowe.

Subwoofer ten nie jest licencjonowany przez THX®, ale jeśli jest to konieczne, może być używany z certyfikowanymi urządzeniami. Jeśli posiadasz kontroler THX®, upewnij się, że funkcja subwoofera daje możliwość korzystania z niego. Ustaw wszystkie filtry i poziomy ustawień. Aby skalibrować poziom wewnętrzny test szumów i sterowniki poziomu kanału, powinieneń skorzystać z kontrolera THX®. We wszystkich przypadkach, poziomy powinny być ustawione, aby uzyskać 75dB SPL (C) w pozycji odsłuchowej z wewnętrznego testu tonów kontrolera.

Z innymi procesorami, skonfiguruj głośniki frontowe i satelity jako „duże” i „małe” w zależności od posiadanych głośników. Użyj wewnętrznego testu tonów oraz sterowniki głośności procesora, aby ustawić poziomy dla wszystkich głośników. Poziom głośności (VOLUME) w subwooferze zmień tylko

wtedy, gdy ustawienia procesora nie osiągnęły oczekiwanego efektu. W stosunkowo niedrogi sposób, za pomocą odpowiednich ustawień można uzyskać naprawdę bardzo dobry dźwięk. Więcej szczegółów możesz uzyskać w instrukcji obsługi twojego procesora.

Ustawienia 2-kanalowego audio

Ustaw przełącznik VOLUME (LINE lub SPEAKER) na godzinę 9.

Ustaw przełącznik LOW-PASS FILTER na IN.

Ustaw przełącznik EQ ustaw w pozycji A.

Ustaw przełącznik PHASE na 0°.

Ustaw przełącznik LOW-PASS FREQ tak, aby pasował do -6dB częstotliwości odcięcia głośników satelitarnych. Uwaga: Zarówno wartość -3dB i -6dB mogą być odnaleziona na każdej kolumnie B&W. Jeśli na głośniku producent umieścił wartość -3dB, optymalne ustawienie przełącznik LOW-PASS FREQ powinna zawierać się pomiędzy 0.6 a 0.9 razy ta wartość.

Przejdź do części: „Dostrajanie subwoofera”, aby zdobyć więcej informacji.

Dostrajanie subwoofera

Kino domowe

Przy subwooferze kina domowego sygnał LFE jest oddzielnym kanałem, a nie częścią składową sygnału kierowanego do satelitów. Filtr LOW-PASS FILTER jest wyłączony, ponieważ filtrację sygnału do satelitów (głośników ustawionych jako małe) przeprowadza procesor A/V. Niezależnie od tego, należy zwrócić uwagę na fazę głośników – powinna być ona zgodna. Normalnie faza będzie ustawiona na 0°, ale jeśli subwoofer znajduje się daleko od innych głośników, lub wzmacniacz mocy zasilający zestaw głośnikowe odwraca fazę, może się zdarzyć, że potrzebne będzie odwrócenie fazy przełącznikiem (180°). Przeprowadź odsłuch na obu pozycjach i wybierz tę, która daje pełniejszy dźwięk.

Procesory dźwięku surround na ogół są wyposażone w generator sygnału testowego, umożliwiającą wyrównanie poziomów głośników w poszczególnych kanałach. Dzięki temu ustawienie poziomów głośników jest relatywnie łatwe, choć uzyskany tą metodą rezultat nie zawsze jest optymalny. Jednakże nie obawiaj się modyfikacji ustawień zgodnie ze swymi preferencjami. Łatwo jest przeciążyć subwoofer w dobie kina domowego, a uzyskanie prawdziwie satysfakcjonującego dźwięku bardzo często zachodzi przy niższym ustawieniu poziomu subwoofera. Zyskujemy wtedy większy zapas dynamiczny, subwoofer pracuje z mniejszym poziomem zniekształceń, mniejsze jest ryzyko kompresji najgłośniejszych transjentów.

2-kanalowe audio

Optymalne ustawienia przełącznika PHASE i sterownika częstotliwości LOWPASS FREQ są ze sobą powiązane i zależą od charakterystyki przenoszenia satelitów w zakresie niskich

częstotliwości. Jednakże powyższe rekomendacje dla filtra LOW-PASS FREQ i przełącznika PHASE zostały tak dobrane, aby zachodziło dobre dopasowanie do głośników zarówno o otwartych, jak i zamkniętych obudowach, o dolnej częstotliwości granicznej leżącej w zakresie regulacji tego subwoofera.

Wykorzystując zalecenia wstępnych ustawień, najpierw, sprawdź ustawienie przełącznika PHASE. Wybierz pozycję, która daje najpełniejszy dźwięk. Zwykle pozycja wyjściowa zapewni optymalny rezultat, ale w niektórych warunkach może być na odwrót, na przykład jeśli wykorzystujesz połączenie line level a wzmacniacz zasilający satelity odwraca fazę (przypadek rzadki), lub gdy subwoofer znajduje się z dala od satelitów.

Następnie ustaw poziom głośności subwoofera względem satelitów. Wykorzystaj do tego celu różne nagrania. Na jednym nagraniu może Ci się wydać, że bas jest znakomity, podczas gdy na innym okaże się, że basu jest za dużo. Tak więc poeksperymentuj. Słuchaj przy realistycznym poziomie głośności. Percepcja basu mocno zależy od poziomu głośności. Na końcu ustaw częstotliwość odcięcia (LOW-PASS FREQ) aby uzyskać najbardziej spójne połączenie satelitów. Ta regulacja wymaga najwięcej czasu i cierpliwości.

Wszystkie zastosowania

Przełącznik BASS EXTENSION oferuje trzy opcje ustawień zasięgu basów. Ustawienie A skutkuje dużym zasięgiem basów, ustawienie C skutkuje najmniejszym zasięgiem basów. Ustawienie B jest kompromisem pomiędzy ustawieniem A i B. Jeśli system ma być wykorzystywany przy bardzo głośnym ustawieniu lub w dużych pomieszczeniach, ustawienie B lub C może być optymalne. W większości przypadków, przełącznik BASS EXTENSION powinien być ustawiony w pozycji A.

Przełącznik EQ reguluje strojenie (nachylenie spadku przetwarzania) basu. Niskie tony, które słyszysz jest połączeniem basu odtwarzanego przez subwoofer oraz basu odtwarzanego przez pozostałe głośniki. Należy wybrać położenie zapewniające najlepszy efekt brzmieniowy w danym pomieszczeniu i przy danej lokalizacji subwoofera. Położenie A daje bardziej suchy bas, odpowiadający lokalizacji w pobliżu narożnika i kompensujący pokoje o podbitym basie. Ustawienie „B” lepiej sprawdza się w pokojach pochłaniających bas i przy ustawieniach z dala od narożników pokoju. Jeśli masz problemy z nierównym basem, to znaczy gdy niektóre nuty są wyeksponowane na tle innych, warto poeksperymentować z położeniem subwoofera względem ścian. Zmiany w ustawieniu nawet tak małe jak 15 cm mogą odgrywać duże znaczenie dla jakości dźwięku. Spróbuj podnosić subwoofer względem podłogi, jak również przesuwając go względem ścian. Użycie kilku subwooferów może znacznie poprawić jakość basu, gdyż każdy z nich będzie wzbudzał inny rozkład rezonansów w pomieszczeniu, dzięki czemu nastąpi ich uśrednienie i wyrównanie przetwarzania basu. Jeśli zmieniasz położenia subwooferów (lub

subwoofera) sprawdź też, czy odwrotna faza (PHASE SWITCH) nie da lepszego efektu. Należy też powtórnie sprawdzić (po ustawieniu fazy) ustawienie czułości (poziomu) subwoofera. Jeśli używasz kilku subwooferów upewnij się, że każdy z nich ma takie same ustawienie filtra dolnoprzepustowego i fazy.

Pielęgnacja

Obudowy zazwyczaj wymagają tylko usunięcia kurzu. Jeśli chcesz użyć aerozolu lub innego środka czyszczącego, zdejmij maskownicę delikatnie ściągając ją z obudowy. Rozpyl aerozol na szmatkę, a nie bezpośrednio na produkt. Najpierw sprawdź na małej powierzchni, czy środek czyszczący nie niszczy podłoża. Unikaj materiałów szorstkich i takich, które zawierają kwas, są zasadowe lub antybakteryjne.

Nie używaj subwoofera w roli stolika. Podczas pracy subwoofer wytwarza znaczne drgania. W szczególności uważaj, aby nie rozlać na subwoofer żadnego płynu. Jeśli subwoofer nie jest używany przez dłuższy okres czasu, odłącz na stałe zasilanie.

日本語 取扱説明書

お客様へ

Bowers & Wilkins スピーカーをお買い上げいただきありがとうございます。システムを最適にご使用いただくため、製品を開梱、設置する前に必ずこの取扱説明書を御一読いただきますようお願いいたします。また、いつでも見られる場所に保証書と共に必ず保管してください。B&Wは世界60ヶ国以上に独自の代理店による販売ネットワークを持っております。販売店で解決できない問題がありましたら、こちらまでご相談ください。

環境情報



B&W 製品は欧州指令である WEEE と RoHS に対応した設計がなされています。リサイクルマークは、製品がこれらの指示に従って適切に再生されなければならないか、または処理しなければならない事を表しています。適切な方法で、どのように機器を処分するかについては、お近くの廃棄物ゴミ処理機構に相談してください。

梱包内容

梱包箱の中には以下の物が同梱されています。ご確認ください。

- 電源ケーブル 1 本
- アクセサリパック 1袋
 - 中身
 - M6 スパイク 4 本
 - M6 ゴム脚 4 本
 - ロックナット (10mm 平面幅) 4 個

設置方法

このサブウーファーは、ホームシアター用、そして2チャンネルのオーディオシステムにおけるスピーカー低域増加用の2つの用途を目的に設計されました。全てのオーディオ機器を設置する場合、それらが持っているパフォーマンスを十分に発揮できるように、いくつか考慮しなければならない点があります。この取扱説明書は設置する時に参考になりますのでよくお読みください。

サブウーファーを駆動させるためには交流電源への接続が必要になります。取扱説明書の安全に関する注意をよくお読みいただき、十分に安全に配慮しながら作業を行ってください。この取扱説明書は将来の参考のために安全な場所に保管して下さい。

サブウーファーの接続/コントロールパネル (図1)

- ステータスインジケータ
- オン/オート/スタンバイ スイッチ
- ラインレベル インプットボリューム
- スピーカーレベル インプットボリューム
- ローパスフィルター周波数
- ローパスフィルターセレクションスイッチ
- バスエクステンション スイッチ
- イコライザー スイッチ

- フェイズリバース (位相反転) スイッチ
- 12Vトリガーインプット
- ラインレベル インプットソケット (左/右)
- スピーカーレベル インプット スピーカー端子 (左/右)
- 電源コードインプット
- 外部ヒューズホルダー

サブウーファーの用途

サブウーファーの主な目的はAVアンプ等のAVプロセッサからのLFEチャンネルの信号を再生する事にあります。加えて、プロセッサは他のチャンネルから低域成分の一部を切り取りLFE信号に足し込む事があります。通常、プロセッサのスピーカー設定で“Small (スモール)”を選択した場合にこのようになります。

2チャンネルオーディオで使用するサブウーファーの場合は、サテライトスピーカーなどの低域を十分に再生できない場合に、低域のレスポンスを広げる為に使用されます。サブウーファーのローパスフィルターはサテライトスピーカーの低域周波数特性の落ち込みに合わせて設定して下さい。

サブウーファーの位置及び設置

人間の耳は、低域を再生している物の位置を認識する事が難しいといわれています。その為リスニングルームのサブウーファーの位置は、一般的にフルレンジスピーカーと比較して重要ではありません。しかしながらサブウーファーを左右のスピーカーの間に置くか、左右のスピーカーのどちらか一方の近くに置く事が最適だと思われる。2台のサブウーファーを使用する場合は、左側のスピーカーの近くに1台、右側のスピーカーの近くに1台設置するのが良いでしょう。リスニングポジションの後ろ側にサブウーファーを設置する事は、マルチチャンネルサラウンド設定でも、一般的に劣ったイメージになるといわれていますが、しかし設置環境によってはサブウーファーをフロント側に設置する事が難しい場合も有りますので、妥協案として許容できるものでしょう。

あらゆるスピーカーに言えることですが、部屋のコーナー付近へスピーカーを近づける事はサブウーファーの音に影響を与えます。低域のポリウムは、より多くの壁表面がスピーカーに近接する事によって増加します。しかしながら、フルレンジスピーカーと違いサブウーファーのポリウムレベルを調整することによって、システム全体のバランスを正しく修正することが出来ます。部屋からのより多くの音響反射が得られれば得られるほど、低いレベルのポリウムを設定することができ、サブウーファーをそれほど動作しなくても良くなります。しかし欠点も有ります。コーナーの近くにサブウーファーを設置すると、低い周波数で部屋共鳴が発生して、低音の周波数特性にあげれが発生やすくなります。部屋は全て様々に作用するので、正確には試験してみるより方法は有りません。従いまして最終的な設置位置を決める前にサブウーファーをいろいろな場所に置いてみてください。低音域の音階が上がったり下がったりするような曲は、低音のレスポンスのスムーズさを評価するのに役立ちます。誇張された音や小さな音をよく聴いてください。

サブウーファーを閉鎖された場所 (例えば家具の中など) で使用する場合は、十分な空気が循環するようにし、本体を冷却できるようにして下さい。詳しくは販売店まで御相談ください。

サブウーファーは床の上に設置される事を前提に設計されています。サブウーファーは可能な限り、付属品のスパイクを使い床にしっかりと立たせて設置する事がとても重要です。スパイクはカーベットの突き通し、床表面の上に立つようにデザインされています。まず、フロアにスパイクが置かれた時に、カーベットの上に十分ナットが浮かんだような状態になるように、スパイクのロックナットを廻しながら調整します。キャビネットの底面にあるネジ込み式の穴にスパイクを目一杯ねじ込んで下さい。もしキャビネットを床面においたとき安定せずに揺れるようでしたら、揺れが止まり、キャビネットがしっかりと固定されるようになるまで、床に設置していない2本のスパイクを緩めて下さい。最後に、キャビネットに対してナットを固定してください。スピーカーの設置位置を最適に調整した後にスパイクを調整した方が良いでしょう。

スピーカーを設置する場所にカーベット全くなく、床の表面を傷つけたくない場合は、スパイクと床の間の保護的な金属ディスク(コイン等)を使用するか、または付属のゴム脚を使用してください。キャビネットの下側にある其々の穴にゴム脚をねじ込み、固定して下さい。

お好みで、サブウーファーの前面に取り付けられたスピーカーグリルを取り外して下さい。しかし、スピーカーユニットヘタメージを与えないように、ドライブユニットの可動部などは触れないように十分注意してください。

多数のサブウーファーを使用する場合

1つのシステムに多数のサブウーファーを使用する事によって、以下のように性能が改善されます。

- ステレオセパレーションを最低域周波数まで維持できます。
- 低域周波数の部屋共鳴の効果を取り除く事ができます。
- 高いレベルで最大オーディオ出力が可能です。

2チャンネルオーディオシステムで2台のサブウーファーを使用する場合、左右のサテライトスピーカーの近くに其々のサブウーファーを設置した場合のみステレオセパレーションが改善されます。

電気接続

ケーブル接続が終了し確認が終了するまで全てのオーディオシステムの電源コードは電源コンセントから抜いておいてください。これによって、接続している間あるいは接続を解除している間の破壊の危険性を避ける事ができます。サブウーファーはRCAピンジャック(図1-11番)を通してラインレベルの信号を、またスピーカーターミナル(図1-12番)を通してスピーカーレベルの信号を入力します。以下の説明をよくお読みいただき、お客様の設置状況に適切な方法をお選びいただき実施して下さい。

ホームシアターに使用する場合

サブウーファーをAVプロセッサとセパレートパワーアンプに接続した場合：図2

サブウーファーをAVプロセッサとプリメインアンプに接続した場合：

- ラインレベルインプットを使用した場合：図3
- スピーカーレベルインプットを使用した場合：図4

注意：ホームシアターシステムで使用する場合はラインレベルインプットでサブウーファーに接続する事をお薦めします。

2チャンネルオーディオシステムに使用する場合

サブウーファーをプリメインアンプに接続する場合

- ラインレベルインプットを使用した場合：図5
- スピーカーレベルインプットを使用した場合：図6

2台のサブウーファーをプリメインアンプに接続する場合

- ラインレベルインプットを使用した場合：図7
- スピーカーレベルインプットを使用した場合：図8

サブウーファーをセパレートアンプに接続する場合

- ラインレベルインプットを使用した場合：図9
- スピーカーレベルインプットを使用した場合：図10

2台のサブウーファーをセパレートアンプに接続する場合

- ラインレベルインプットを使用した場合：図11
- スピーカーレベルインプットを使用した場合：図12

テストの前に

新しいサブウーファーのテストおよび微調整の前に、接続は2重にチェックして下さい。特に下記の事を確実に行ってください。

1. フェイズ(位相)が正しい事。スピーカーレベルインプットを使用された場合、アンプのプラス側スピーカー端子をサブウーファーのプラス側端子(“+”のマークがあり、端子の色は赤)に、アンプのマイナス側スピーカー端子をサブウーファーのマイナス側端子(“-”のマークがあり、端子の色は黒)に確実に接続して下さい。間違った接続の場合は極端に不十分な低域やごちゃごちゃした音になります。
2. 左右のチャンネルを間違えないこと。左右のチャンネルを間違えると、ステレオイメージの中でオーケストラの楽器のポジションが間違った形で再生される結果となります。またはホームシアターの音響効果がスクリーン上のアクションと異なります。

スイッチの切り替え

サブウーファーはその他の機器が電源スイッチを入れた後に電源スイッチを入れてください。また電源を切る場合は、はじめに切るようにして下さい。オン/オート/スタンバイ スイッチ(図1-2番)そしてステータス インジケーター(図1-1番)は以下のように操作して下さい。

オン：スイッチがオンの時、サブウーファーは動作状態になり、インジケーターに緑色のランプが付きます。

オート：スイッチがオートに設定されると初期状態としてサブウーファーは動作状態になり、インジケーターにグリーンランプが点灯します。無入力信号の状態が5分続くと、サブウーファーは自動的にスリープモードに入ります。インジケーターも赤ランプに変わります。この状態で入力信号を感じるとサブウーファーは自動的に電源が入り動作状態になります。インジケーターはグリーンランプが点灯します。

自動セットアップを組み込まれたAVプロセッサはサブウーファアのオートスイッチオン/スリープ機能によって“混乱”させられるかもしれません。間違ったコンディションの設定される場合が有ります。プロセッサがセットアップを行っている最中はスイッチをオンしておく事をお薦めします。

スタンバイ: スwitchがスタンバイに設定されているとサブウーファアはトリガーインプット (図 1-10 番) に12Vが印加された場合電源が入り動作状態になります。0ボルトになるとサブウーファアはスリープモードになります。インジケータはサブウーファアが動作状態にある時はグリーンランプが、スリープ状態の時は赤ランプが点灯します。

サブウーファアコントロールの設定

調整するコントロールが7つあります。

- ボリューム (ライン) コントロール (図 1-3 番)
- ボリューム (スピーカー) コントロール (図 1-4 番)
- ローパスフィルター周波数コントロール (図 1-5 番)
- ローパスフィルタースイッチ (図 1-6 番)
注意: このスイッチはラインインプットからの入力に対してのみ有効です。スピーカーレベルインプットからの入力に対しては、回路上にフィルターが組み込まれています。
- バスエクステンションスイッチ (図 1-7 番)
- イコライザースイッチ (図 1-8 番)
- フェイズリバース (位相反転) スwitch (図 1-9 番)

適切な設定はサブウーファアと主に使用される機器とその接続のモードによります。もし2台以上のサブウーファアを御使用の場合は必ずそれぞれのサブウーファアのコントロールを同じように設定して下さい。

注意: ボリューム (ライン) とボリューム (スピーカー) コントロールはそれぞれのラインとボリュームインプットだけを操作します。使用しない方のボリュームコントロールは最小に設定して下さい。

ホームシアターセッティング

ボリューム (ラインまたはスピーカー) コントロールを、とりあえず先ず9時の方向に設定します。

ローパスフィルタースイッチをアウト (OUT) に設定します。

イコライザー スwitchをとりあえずAのポジションに設定します。

フェイズ (位相) スwitchをとりあえず0°に設定します。

スピーカーレベルインプットを使用している場合はローパス周波数コントロールを140に設定します。ラインレベルを使用している場合、ローパス周波数の設定は関係ありません。

“ファインチューニング”の項も参考にして下さい。

このサブウーファアはTHX®ライセンスを取得したコンポーネントでは有りませんが、御希望であればTHX®コントローラーと共に使用することができます。THX®コントローラーを御使用の場合はコントロールの設定で必ずサブウーファアの設定をenable (動作) にして下さい。これにはあらゆるモードのサブウーファアに必要な、あらゆるフィルターリング及びレベル設定が組み込まれ

ています。レベルの調整には、THX®コントローラーの内部テスト・ノイズ及びチャンネル・レベル・コントロールを使用します。あらゆる場合においてレベルは、リスニングポジションでコントローラーの内部テスト信号から75dB SPL (C-weighted) が得られるように設定して下さい。

その他のプロセッサをお使いの場合は、レベルを設定する前に、フロントスピーカー及びサラウンドスピーカーを“ラージ”又は“スモール”のいずれか適切な方に合わせてください。正しいレベルを得るのに十分な変化量がプロセッサにない場合は、サブウーファアのボリュームコントロールのみを調整して下さい。安価なサウンドレベルメーターは、電子機器店で簡単に手に入りますので、レベルの調整に利用して下さい。レベルの設定方法に関する詳細については、プロセッサの取扱説明書を参照してください。

2チャンネルオーディオセッティング

ボリューム (ラインまたはスピーカー) コントロールを、とりあえず先ず9時の方向に設定します。

ローパスフィルタースイッチをイン (IN) に設定します。

イコライザー スwitchをとりあえずAのポジションに設定します。

フェイズ (位相) スwitchをとりあえず0°に設定します。

ローパス周波数コントロールをサテライトスピーカーの-6dBカットオフ周波数に合わせて設定します。注意: B&Wスピーカーはそれぞれのモデルの製品仕様にて-3dBと-6dBのカットオフ周波数を記載しています。御使用のサテライトスピーカーのメーカーが-3dBのカットオフ周波数しか記載していない場合、ローパス周波数コントロールの適切な設定は-3dBの周波数の0.6倍から0.9倍までの間になる事を考慮して行ってください。サテライトスピーカーのロールオフが緩やかなほどローパスフィルターの周波数は低く設定する必要があります。

“ファインチューニング”の項も参考にして下さい。

ファインチューニング

ホームシアター

ホームシアターシステムの場合、サブウーファア (LFE) 信号はサテライトスピーカーへの付加信号はなく、別のチャンネルです。ローパスフィルターを消して (または最大に設定) 下さい。プロセッサでは“スモール”に設定された全てのスピーカーに対してフルレンジを行います。しかし、フェイズ (位相) スwitchは設定しなければなりません。通常、フェイズは0°に設定してください。サブウーファアが他のスピーカーとはかなり異なる距離に置かれている場合や、他のスピーカーを動作させるパワーアップが、たまたま信号を逆にしてしまう場合は、180°が望ましいでしょう。スswitchを両方の位置に設定して試聴し、もっとも完全な音が出る位置を選んでください。なんら大きな違いがなければ0°に設定してください。

サラウンドプロセッサには通常、全スピーカーの相対レベルを設定するのに用いる調整用ノイズ信号を出力できるようになっています。このため2チャンネルオーディオよりは作業がいくらか簡単になります。しかし遠慮せずに自分の好みに合わせて設定を変えてください。すぐに、このサブウーファアの能力、特にいくつかの特殊な低周波数効果には夢中になれることと思います。サブウーファアのレベルを標準調整レベルよりも低く設定すると、よりリアルな音響が得られ、長期的にはより御満足頂けると思います。

2チャンネルオーディオ

お好みのポジションでシステムアップし、安定した低域が入った曲を何曲か再生してください。

フェイズ (位相) スイッチとローパス周波数コントロールの最適な設定は相互関連しており、又サテライトスピーカーの低域ロールオフ特性にも左右されます。しかしほとんどのサテライトスピーカーの低域調整は、上記に示したローパス周波数コントロールとフェイズ (位相) の推奨した設定が適合します。

前項の初期設定の状態で、先ずフェイズ (位相) スイッチのポジションをチェックして下さい。ふくよかな低音が得られる方を選択して下さい。通常は推奨設定が最適の状態になりますが、ある状況では最適な状態にならない事も有ります。パワーアンプからの信号が位相反転してサテライトスピーカーに送られているか、サブウーファーをサテライトスピーカーの近くに置いていない事が考えられます。

次に接続しているサテライトシステムを考慮しサブウーファーのボリューム (ラインまたはスピーカー) を調整します。平均的なセッティングを行う為に色々な種類の曲を使用してください。ある曲で印象的な音が出る設定でも別の曲に対してはパワー過剰だったりします。バランスの感覚はサウンドレベルによって異なりますので現実的なボリュームレベルで試聴して下さい。

最後にローパス周波数コントロールを微調節し、サブウーファーの音とサテライトスピーカーの音がスムーズにつながるようにしてください。

すべての用途

バスエクステンションスイッチは3つのポジションがあり、サブウーファーの低域特性を選択できます。ポジションAは最も低音を強調した音になります。ポジションCは最も低音の強調が少ない音になります。ポジションBはそれらの中間の音になります。システムをととも高いボリュームレベルで使用する場合、または広いリスニングルームで使用する場合はBかCのどちらかを選択する事により、バスエクステンションに制限をかけ、サブウーファーが性能限界を超えるような動作を防ぐ事ができます。ただし、一般的な状況ではバスエクステンションスイッチはAが選択されるでしょう。

イコライザースイッチはサブウーファーの低音ロールオフ特性を変化させます。実際に聞こえる低音はサブウーファー自体から出る音と部屋の反響の重ねあわせで得られているので、お使いになる部屋の特性とサブウーファーの置き場所との兼ね合いでより良い方に設定してください。位置Aは比較的ドライな特性を持っており、サブウーファーを部屋の角に置く場合や音が共鳴する部屋の特性を補正するのに適しています。位置Bは音が共鳴しない部屋の場合や角から離して設置する場合に適します。

低音がアンバランスな感じがするといった問題、すなわち、ある低音が他の音よりも強調されすぎる場合、それは部屋の影響があるためです。サブウーファーの設置位置をいろいろ変えてみてください。設置場所については小さな変化 — 15cm (6インチ) ほど — でも音響に対しては大きな影響を与える事が有ります。複数のサブウーファーを御使用になると部屋の共鳴効果を滑らかにする事ができます。というのもそれぞれのサブウーファーは異なった周波数で共鳴を増幅させる傾向があるからです。リスニングポジションからサブウーファー及びサテライトスピーカーまでの相対距離を大幅に変えた場合はフェイズチェックスイッチをもう一度確認してください。サブウーファーのボリューム設定をチェックすることもできますが (プロセッサの出力レベルがサブウー

ファーアンプのボリュームコントロールのいずれかが適切な方を用いて)、これはフェイズを正しく設定してから行ってください。

お手入れ

キャビネットの表面は通常ほこりを払う程度で十分です。スプレー式クリーナーまたは他のクリーナーをお使いになる場合、まずキャビネットから慎重にグリルを取り外します。スプレー式クリーナーは直接製品に吹き付けずに、一度クリーニング用の布に吹き付けてからご使用ください。いくつかのクリーニング製品は表面にダメージを与えるものも有りますので、まず狭い範囲で試してからお使いください。研磨材を含んだ物、酸性、アルカリ性または抗菌タイプのクリーナーは使用しないでください。グリルネットはキャビネットから取り外した状態で通常の布ブラシで清掃して下さい。グリルを外している間、ドライブユニットに触れることは絶対に避けてください。クリーニング前にはサブウーファーの電源をお切りください。

サブウーファーをテーブルとして使用しないでください。テーブルのように使用すると、サブウーファーの上に乗ったものがガタガタ揺れます。特に液体がこぼれないようにして下さい。(例えば飲み物や花瓶など)

システムを長期間使用しない場合は、サブウーファーの電源コードをコンセントから抜いてください。

简体中文 用户手册

介绍

尊敬的顾客：

感谢您购买Bowers & Wilkins 产品。请在打开包装和安装产品前仔细阅读本手册。它可以帮助你更好的了解产品性能。B&W 的指定代理商网络遍及全球60多个国家，他们可以帮助你解决那些经销商无法解决的问题。

环境信息



所有B&W 产品的设计均符合国际上有关电子和电气设备的“有害物质限制指令 (RoHS)”的规定和“废弃电子电气设备指令(WEEE)”的处置规定。这些标志说明了它的相符性以及产品必须恰当回收或者按照这些规定进行处理。请向当地废物处理局咨询。

建议使用本产品的环境温度:5-35℃



仅适用于在海拔2000米以下地区安全使用



仅适用于在非热带气候条件下安全使用

纸箱内容物

检查纸箱：

- 1 根电源插座电线
- 一个附件包，包括：
 - 4 个M6 钉脚
 - 4 个M6 橡胶脚垫
 - 4 个防松螺母（对边为10mm）

安装

低音炮既可用于家庭影院，也可用于增大双声道音频系统“全音域”扬声器的低音效果。如果要实现全部潜在功能，那么所有音频安装都需要认真考虑，该手册可以指导你的操作。

低音炮需要连接至电源插座，因此应该熟悉安全注意事项，并注意所有警告。将手册保存在安全位置，以便日后参考。

低音炮连接与控制面板（图1）

1. 状态指示灯。
2. 开、自动、待机开关。
3. 线路电平输入音量。
4. 扬声器电平输入音量。
5. 低滤波频率。
6. 低滤波选择开关。
7. 低音扩展开关。
8. 均衡开关。
9. 反相开关。
10. 12V 触发输入。
11. 线路电平输入插座（左右）。

12. 扬声器电平输入接线柱（左右）。

13. 电源输入。

14. 外置保险丝固定器。

低音炮应用

低音炮的主要功能是再造视听处理器低频音效（LFE）的加强声道的信号。此外，可对处理器进行配置，将低音部从一些或所有其它声道中转化出来，并添加至LFE信息。通常选择处理器设置程序中的“小型”扩音器来完成。

在双声道音频应用中，低音炮用来扩展低于卫星扬声器所提供的低音响应。应当设置低音炮低通滤波，以便在卫星扬声器操作失败时，可以采用低音炮替代。

低音炮定位与安装

耳朵很难感知到低频率音的定位，因此听音室内低音炮的位置通常不如全音域扬声器的重要。但是，如果将低音炮安置在左右扬声器的中间，或者其中一个的附近，效果会最好。如果同时使用两个低音炮，最好将其中一个靠近左扬声器，另一个靠近右扬声器。如果在聆听位置的背后安置低音炮，那么即使是多声道环绕声，通常也会产生不良画面，但是如果是用于家用放音的话，这个办法也是可接受的。

对于所有扬声器，如果靠近房间边界，都会影响低音炮的音效。扬声器与越多墙体表面接近，低音音量就越高。与全音域扬声器不同，但是所有系统平衡均可通过调节低音炮的音量级别来校正。房间内获得的压力越大，可以设置的音量就越低，低音炮工作的难度也就越小；但是也有相反的一面。定位于拐角附近的低音炮通常会产生更多的低频房间共鸣，通过频率使得低音更不相等。所有房间各不一样，没有实验替代品，因此做出最终决定前，应尝试将低音炮安置在不同位置。一首具有可以增加或减少音阶的低音讯号线的音乐可以帮助评估低音响应的顺畅度。聆听扩大的或安静的音符。

如果要在有限的空间内使用低音炮（比如安置在家具内），必须要有良好的通风，保证足够的空气流通和设备冷却。详情请咨询经销商。

低音炮只能安装在地面上。请确保使用钉脚将低音炮安装在地面上。钉脚须穿过地毯，竖立在地板表面。首先将固定螺母旋扭到钉脚上，直到当钉脚安放在地面时，螺母刚好浮在地毯表面。然后将钉脚全部拧入底座的螺纹嵌入圈中。如果箱体在地板上摇晃，松开未接触到地板的两只钉脚，直到箱体稳当放置，不再摇晃。最后将螺帽向箱体方向锁紧。先选择好扬声器的定位才安置及调整钉脚会更加便利。

如果没有地毯，而您希望避免刮伤地板表面，可在钉脚和地板之间用上保护性的金属盘（比如说硬币），或是使用附带的橡胶脚垫。将橡胶脚垫旋扭在箱体下方的每一个孔上贴上一个橡胶脚垫。

如有需要，可以拆下低音炮前面的网面。但请小心，避免接触到驱动单元的振动部分，否则有可能对其造成损坏。

使用多个低音炮

单个安装时采用多个低音炮可以提升性能，具体如下：

- 保持最低频率的立体声分离。
- 消除低频房间共鸣的影响。
- 启用更高最大声音输出。

如果双声道音频系统使用两个低音炮，只有当每个声道都有位于适当的卫星扬声器附近的独立低音炮时，才可以改进立体声分离。

电连接

断开所有音频系统设备与主电源的连接，直到完成信号连接与检查。这可以避免连接时或断电时的损害风险。低音炮可以接受RCA音频插座（图1中第11项）的两路信号以及接线柱（图1中第12项）的扬声器级别信号。参照下列指南选择恰当的安装连接方法：

应用：家庭影院

连接到AV处理器及独立功放器的低音炮：图2

连接到AV处理器及合并式功放器的低音炮：

- 使用线路电平输入(Line-level Input)：图3
- 使用扬声器电平输入(Speaker level input)：图4

注意：家庭影院应用时，采用线路电平输入连接低音炮效果更好。

应用2：双声道音频

连接到合并式功放器的低音炮：

- 使用线路电平输入(Line-level Input)：图5
- 使用扬声器电平输入(Speaker level input)：图6

连接到合并式功放器的双低音炮：

- 使用线路电平输入(Line-level Input)：图7
- 使用扬声器电平输入(Speaker level input)：图8

连接到前/后置功放器的低音炮：

- 使用线路电平输入(Line-level Input)：图9
- 使用扬声器电平输入(Speaker level input)：图10

连接到前/后置功放器的双低音炮：

- 使用线路电平输入(Line-level Input)：图11
- 使用扬声器电平输入(Speaker level input)：图12

调校前

视听新低音炮安装和微调前，请再次检查连接。尤其确保：

1. 定向正确。如果使用扬声器电平输入，确保低音炮的正极端（标有+、红色）连接至功放的正极输出端，且低音炮的负极端（标有-、黑色）连接至功放的负极输出端。非正确连接会导致声音错乱且不良低音效果。
2. 从左至右声道没有混淆。左/右混淆会导致立体画面中的管弦乐器错位，或者家庭影院声音效果与屏幕动作不匹配。

开和关

开机时，最好先开启所有其它项，再开启低音炮，但关机时，要先关闭低音炮。开启/自动/待机开关（图1中第2项）以及状态指示灯（图1中第1项）的操作如下：

开启：将开关推至开启位置，此时，低音炮会被完全激活，且指示灯也会变成绿色。

自动：将开关推至自动位置，首先，低音炮会被完全激活，且指示灯也会变成绿色。大约5分钟后，若无输入信号，低音炮将自动进入“睡眠”模式。指示灯会变成红色。当检测到一个输入信号后，低音炮会被自动激

活，且指示灯会变成绿色。5分钟内若无输入信号，低音炮会回到睡眠模式。

合并了“自动化”设置程序的自动可视处理器可能会带有自动开/关功能的低音炮“混淆”。可能产生潜在有害故障。如果使用了处理器，设置时最好开启低音炮并完全激活。

待机：将开关推至待机位置，如果触发输入（图1中第10项）使用12V电压，低音炮则会被激活。输入为零伏时，低音炮会回到睡眠模式。当低音炮被激活的时候，指示灯会变成绿色，当低音炮处于睡眠模式时，指示灯会变成红色。

设置低音炮控制

7种控制供选择：

- 音量（线路电平）控制（图1中第3项）
- 音量（扬声器电平）控制（图1中第4项）
- 低通频率（频率）控制（图1中第5项）
- 低通滤波开关（图1中第6项）
注意：这只适用于线路输入。滤波与扬声器电平输入在同一电路上。
- 低音扩展开关（图1中第7项）
- EQ（均衡）开关（图1中第8项）
- 相位开关（图1中第9项）

恰当的设置依据低音炮使用的设备与连接方式而定。如果使用的低音炮不止一个，请确保每个控制的设置都相同。

注意：音量（线路电平）和音量（扬声器电平）控制只针对相应的线和音量输入进行操作。非使用中的音量控制最好设置到最少。

家庭影院

将音量（线或扬声器电平）控制先设置到9点钟的位置。

将低通滤波开关设置为出(OUT)。

将EQ开关先设置到A的位置。

将相位开关先设置为0°。

如果使用扬声器电平输入，请将低通频率（频率）控制设置为140。

详见“微调”章节。

低音炮不是THX® 特许的部件，但是如有需要，可以与THX® 控制器一起使用。如果使用了THX® 控制器，请确保低音炮功能已启用。这合并了任何模式下，低音炮所需的所有过滤及级别设置。校准级别时，需对THX® 控制器进行内部测试噪音和声道级别控制。任何情况下，对于控制器内部噪音测试信号而言，视听位置设置的级别都应该达到75dB SPL (C-权重)。

若与其它处理器使用，设置级别前，请先将前置和环绕扬声器适当地设置到“大”或者“小”的恰当位置。使用内部噪音测试信号以及处理器的音量控制来设置所有扬声器的级别。如果处理器内没有足够音域可以达到准确级别，那么只需要改变低音炮的音量控制。可以从商店里买到并不昂贵的声级计，用来校准级别。具体如何设置级别，详见处理器手册。

双声道音频设置

将音量（线或扬声器电平）控制先设置到9点钟的位置。

将低通滤波开关设置为进(IN)。

将EQ开关先设置到A的位置。

将相位开关先设置为0°。

将低通频率控制设置为匹配卫星扬声器-6dB低频切断频率。注意：-3dB和-6dB数据可以在每款B&W扬声器型号的规格表中找到。如果卫星扬声器制造商仅引用一个-3dB频率，那么低通频率控制的最佳设置应该为那个数据的0.6到0.9倍。如卫星扬声器的低频响应衰退越慢，设置的频率就应该越低。

详见“微调”章节。

微调

家庭影院

在家庭影院系统，低音炮（LFE）信号是一个单独的声道，而不是卫星扬声器信号的扩展。低通滤波器关闭（或者设置成最大值），因为处理器为任何设置为“小”的扬声器提供所有滤波。但是依然要评定相开关的位置。一般情况下，相会设置为0°，但是如果低音炮被定位在与其它扬声器不同的位置，或者驱动其它扬声器的功放出现信号颠倒，则请设置为180°。开关在两个位置时，都需要视听，并请选择声音最饱满的一个。如果有细微不同，请将开关设置在0°。

环绕声处理器一般都有一个校准噪音信号，可以用来设置所有扬声器的相对级别，比双声道音频更能直接完成任务。但是，这并不影响你设置个人喜爱的声道。操作很简单，不会丢失低音炮的功能，尤其是那些特别的低频效果。通常描写更现实，满意则会更长久，但是必须将低音炮级别设置成低于标准校准级别。

双声道音频

将系统设置在优先位置，并用稳定低音内容编辑一些程序。

相位开关和低通频率的最佳设置是相关的，且依据卫星扬声器的低频切断特性而定。但是，已选用上述推荐的低通频率控制和相开关设置，以便更好地综合最多的卫星扬声器低音设置。

使用最初设置时，请首先检查相位开关的设置。选择声音最饱满的项。一般，推荐项都是最佳选择，但是依据具体情况而定。可能提供给卫星扬声器的功放会颠倒信号或者低音炮没有放置在靠近卫星扬声器的位置。

接下来，调整与你喜欢的卫星系统相关的低音炮的音量（线或扬声器）。使用大范围的程式资料来获得平均设置。对于一个设备来说恰当的设置可能对于另一个来说过强。在现实音量级别上视听，因为对音乐平衡的感觉会因不同声音级别而不同。

最后，调整低通频率控制，以获得低音炮与卫星扬声器之间最流畅的传输。

所有应用

低音扩展开关提供三种低音炮低音扩展。位置A可产生最大扩展，位置C产生最小扩展。位置B提供折衷设置。如果系统要用于非常高音量级别或者是大型听力室，受低音扩展的限制，选择B或者C都可以帮助确保不用要求低音炮超过其功能极限。大多数情况下，低音扩展开关都应该处于位置A。

EQ开关改变低音炮低音衰退调节。你听到的低音是低音炮加上房间效果的组合，应该选择最能弥补房间和低音炮定位条件不足的位置。位置A提供“较轻”设置，更适合与将低音炮置于拐角或补充共鸣房间。位置B适合房间共鸣较小，且非拐角使用。

如果遇到非相等低音的问题—某些低音音符被夸大，大于其它音符—那么你可能遇到房间接触面的问题，需要在低音炮位置做实验。这些看来像是位置上的细小变化—15cm (6in) 等—可以拥有厚重的声音效果。使用多个低音炮可以改善房间共鸣的效果，因为每个低音炮都会刺激不同频率的共鸣。如果你略微改动了低音炮和卫星扬声器与视听位置的相对距离，请重新评定相位开关设置。还需检查低音炮的音量（恰当使用处理器输出级别或者低音炮功放的音量控制），但是一定要先准确设置相位。

维护

机柜表面需要经常打扫。如果希望使用气雾剂或其它清洗剂，请先小心取走格栅。在清洁布上喷上气雾剂，不要直接喷到产品上。首先在小范围内测试，因有些清洗产品会损坏某些表面。避免使用可能造成腐蚀、或含酸、碱、抗菌的产品。不要使用清洗剂清洗驱动器。将格栅从机柜上取下来后，可以用普通布或刷子清洗格栅纤维。避免接触驱动器，防止出现损坏。清洗之前请关闭低音炮。

不要将低音炮用作桌台。使用时，如果低音炮顶部放置了物体，则会发出噪音。尤其要避免被液体沾湿（如饮料或者花瓶内的水）。

如果长时间不使用该系统，请断开低音炮与主电源的联系。

繁體中文 用戶手冊

介紹

尊敬的顧客：

感謝您購買 Bowers & Wilkins 產品。請在打開包裝和安裝產品前請仔細閱讀本手冊。它可以幫助您更好的瞭解產品性能。B&W 的指定代理商網路遍及全球 60 多個國家，他們可以幫助您解決那些經銷商無法解決的問題。

環境資訊



所有 B&W 產品的設計均符合國際上有關電子和電氣設備的“有害物質限制指令 (RoHS)”的規定和“廢棄電子電氣設備指令 (WEEE)”的處置規定。這些標誌說明了它的相符性以及產品必須恰當回收或者按照這些規定進行處理。請向當地廢物處理局諮詢。

紙箱內容物

檢查紙箱：

- 1 根電源插座電線
- 一個附件包，包括：
 - 4 個 M6 釘腳
 - 4 個 M6 橡膠腳墊
 - 4 個防松螺母（對邊為 10mm）

安裝

低音炮既可用於家庭影院，也可用於增大雙聲道音頻系統“全音域”揚聲器的低音效果。如果要實現全部潛在功能，那麼所有音頻安裝都需要認真考慮，該手冊可以指導你的操作。

低音炮需要連接至電源插座，因此應該熟悉安全注意規範，並注意所有警告。將手冊保存在安全位置，以便日後參考。

低音炮連接與控制面板（圖 1）

1. 狀態指示燈。
2. 開、自動、待機開關。
3. 線路電平輸入音量。
4. 揚聲器電平輸入音量。
5. 低通濾波頻率。
6. 低通濾波選擇開關。
7. 低音擴展開關。
8. 均衡開關。
9. 反相開關。
10. 12V 觸發輸入。
11. 線路電平輸入插座（左右）。
12. 揚聲器電平輸入接線柱（左右）。
13. 電源輸入。
14. 外置保險絲固定器。

低音炮應用

低音炮的主要功能是再造視聽處理器低頻音效（LFE）的加強聲道的信號。此外，可對處理器進行配置，將低音部從一些或所有其他聲道中轉化出來，並添加至 LFE 信息。通常選擇處理器設置程式中的“小型”擴音器來完成。

在雙聲道音頻應用中，低音炮用來擴展低於衛星揚聲器所提供的低音響應。應當設置低音炮低通濾波，以便在衛星揚聲器操作失敗時，可以採用低音炮替代。

低音炮定位與安裝

耳朵很難感知到低頻率音源的定位，因此聽音室內低音炮的位置通常不如全音域揚聲器的重要。但是，如果將低音炮安置在左右揚聲器的中間，或者其中一個的附近，效果會最好。如果同時使用兩個低音炮，最好將其中一個靠近左揚聲器，另一個靠近右揚聲器。如果在聆聽位置的背後安置低音炮，那麼即使是多聲道環繞聲，通常也會產生不良畫面，但是如果是用於家用放音的話，這個辦法也是可接受的。

對於所有揚聲器，如果靠近房間邊界，都會影響低音炮的音效。揚聲器與越多牆體表面接近，低音音量就越高。與全音域揚聲器不同，但是所有系統平衡均可通過調節低音炮的音量級別來校正。房間內獲得的壓力越大，可以設置的音量就越低，低音炮工作的難度也就越小；但是也有相反的一面。定位於拐角附近低音炮通常會產生更多的低頻房間共鳴，通過頻率使得低音更不相等。所有房間各不一樣，沒有實驗替代品，因此做出最終決定前，應當試將低音炮安置在不同位置。一首具有可以增加或減少音階的低音訊號線的音樂可以幫助評估低音回應的順暢度。聆聽擴大的或安靜的音符。

如果要在有限的空間內使用低音炮（比如安置在傢俱內），必須要有良好的通風，保證足夠的空氣流通和設備冷卻。詳情請諮詢經銷商。

低音炮只能安裝在地面上。請確保使用釘腳將低音炮安裝在地面上。請確保使用釘腳將低音炮安裝在地面上。釘腳須穿過地毯，豎立在地板表面。首先將固定螺母旋扭到釘腳上，直到當釘腳安放在地面時，螺母剛好浮在地毯表面。然後將釘腳全部擰入底座的螺紋嵌入圈中。如果箱體在地板上搖晃，鬆開未接觸到地板的兩隻釘腳，直到箱體穩當放置，不再搖晃。最後將螺帽向箱體方向鎖緊。先選擇好揚聲器的定位才安置及調整釘腳會更加便利。

如果沒有地毯，而您希望避免刮傷地板表面，可在釘腳和地板之間用上保護性的金屬盤（比如說硬幣），或是使用附帶的橡膠腳墊。將橡膠腳墊旋扭在箱體下方的每一個孔上貼上一個橡膠腳墊。

如有需要，可以拆下低音炮前面的網面。但請小心，避免接觸到驅動單元的振動部分，否則有可能對其造成損壞。

使用多個低音炮

單個安裝時採用多個低音炮可以提升性能，具體如下：

- 保持最低頻率的身歷聲分離。
- 消除低頻房間共鳴的影響。
- 啟用更高最大聲音輸出。

如果雙聲道音頻系統使用兩個低音炮，只有當每個聲道都有位於適當的衛星揚聲器附近的獨立低音炮時，才可以改進身歷聲分離。

電連接

斷開所有音頻系統設備與主電源的連接，直到完成信號連接與檢查。這可以避免連接時或斷電時的損害風險。低音炮可以接受 RCA 音頻插座（圖 1 中第 11 項）的兩路信號以及接線柱（圖 1 中第 12 項）的揚聲器級別信號。參照下列指南選擇恰當的安裝連接方法：

應用：家庭影院

連接至 AV 處理器及獨立功放器的低音炮：圖 2

連接至 AV 處理器及合併式功放器的低音炮：

- 使用線路電平輸入(Line-level Input)：圖 3
- 使用揚聲器電平輸入(Speaker level input)：圖 4

注意：家庭影院應用時，採用線路電平輸入連接低音炮效果更好。

應用 2：雙聲道音頻

連接至合併式功放器的低音炮：

- 使用線路電平輸入(Line-level Input)：圖 5
- 使用揚聲器電平輸入(Speaker level input)：圖 6

連接至合併式功放器的雙低音炮：

- 使用線路電平輸入(Line-level Input)：圖 7
- 使用揚聲器電平輸入(Speaker level input)：圖 8

連接至前/後置功放器的低音炮：

- 使用線路電平輸入(Line-level Input)：圖 9
- 使用揚聲器電平輸入(Speaker level input)：圖 10

連接至前/後置功放器的雙低音炮：

- 使用線路電平輸入(Line-level Input)：圖 11
- 使用揚聲器電平輸入(Speaker level input)：圖 12

調校前

視聽新低音炮安裝和微調前，請再次檢查連接。尤其確保：

1. 定向正確。如果使用揚聲器電平輸入，確保低音炮的正極端（標有+、紅色）連接至功放的正極輸出端，且低音炮的負極端（標有-、黑色）連接至功放的負極輸出端。非正確連接會導致聲音錯亂且不良低音效果。
2. 從左至右聲道沒有混淆。左/右混淆會導致立體畫面中的管弦樂器錯位，或者家庭影院聲音效果與螢幕動作不匹配。

開和關

開機時，最好先開啟所有其他項，再開啟低音炮，但關機時，要先關閉低音炮。開啟/自動/待機開關（圖 1 中第 2 項）以及狀態指示燈（圖 1 中第 1 項）的操作如下：

開啟：將開關推至開啟位置，此時，低音炮會被完全激活，且指示燈也會變成綠色。

自動：將開關推至自動位置，首先，低音炮會被完全激活，且指示燈也會變成綠色。大約 5 分鐘後，若無輸入信號，低音炮將自動進入“睡眠”模式。指示燈會變成紅色。當檢測到一個輸入信號後，低音炮會被自動啟

動，且指示燈會變成綠色。5 分鐘內若無輸入信號，低音炮會回到睡眠模式。

合併了“自動化”設置程式的自動可視處理器可能會被帶自動開/關功能低音炮“混淆”。可能產生潛在有害故障。如果使用了處理器，設置時最好開啟低音炮並完全啟動。

待機：將開關推至待機位置，如果觸發輸入（圖 1 中第 10 項）使用 12V 電壓，低音炮則會被啟動。輸入為零伏時，低音炮會回到睡眠模式。當低音炮被啟動的時候，指示燈會變成綠色，當低音炮處於睡眠模式時，指示燈會變成紅色。

設置低音炮控制

7 種控制供選擇：

- 音量（線路電平）控制（圖 1 中第 3 項）
- 音量（揚聲器電平）控制（圖 1 中第 4 項）
- 低通頻率（頻率）控制（圖 1 中第 5 項）
- 低通濾波開關（圖 1 中第 6 項）
- **注：**這只適用於線路輸入。濾波與揚聲器電平輸入在同一電路上。
- 低音擴展開關（圖 1 中第 7 項）
- EQ（均衡）開關（圖 1 中第 8 項）
- 相位開關（圖 1 中第 9 項）

恰當的設置依據低音炮使用的設備與連接方式而定。如果使用的低音炮不止一個，請確保每個控制的設置都相同。

注意：音量（線路電平）和音量（揚聲器電平）控制只針對相應的線和音量輸入進行操作。非使用中的音量控制最好設置到最少。

家庭影院

將音量（線或揚聲器電平）控制先設置到 9 點鐘的位置。

將低通濾波開關設置為出 (OUT)。

將 EQ 開關先設置到 A 的位置。

將相位開關先設置為 0°。

如果使用揚聲器電平輸入，請將低通頻率（頻率）控制設置為 140。

詳見“微調”章節。

低音炮不是 THX® 特許的部件，但是如有需要，可以與 THX® 控制器一起使用。如果使用了 THX® 控制器，請確保低音炮功能已啟用。這合併了任何模式下，低音炮所需的所有過濾及級別設置。校準級別時，需對 THX® 控制器進行內部測試噪音和聲道級別控制。任何情況下，對於控制器內部噪音測試信號而言，視聽位置設置的級別都應該達到 75dB SPL (C-權重)。

若與其他處理器使用，設置級別前，請先將前置和環繞揚聲器適當地設置到“大”或者“小”的恰當位置。使用內部噪音測試信號以及處理器的音量控制來設置所有揚聲器的級別。如果處理器內沒有足夠音域可以達到準確級別，那麼只需要改變低音炮的音量控制。可以從商店裡買到並不昂貴的聲級計，用來校準級別。具體如何設置級別，詳見處理器手冊。

雙聲道音頻設置

將音量（線或揚聲器電平）控制先設置到 9 點鐘的位置。

將低通濾波開關設置為進(IN)。

將 EQ 開關先設置到 A 的位置。

將相位開關先設置為 0°。

將低通頻率控制設置為匹配衛星揚聲器 -6dB 低頻切斷頻率。注意：-3dB 和 -6dB 資料可以在每款 B&W 揚聲器型號的規格表中找到。如果衛星揚聲器製造商僅引用一個 -3dB 頻率，那麼低通頻率控制的最佳設置應該為那個數據的 0.6 到 0.9 倍。如衛星揚聲器的低頻回應衰退越慢，設置的頻率就應該越低。

詳見“微調”章節。

微調

家庭影院

在家庭影院系統，低音炮 (LFE) 信號是一個單獨的聲道，而不是衛星揚聲器信號的擴展。低通濾波器關閉（或者設置成最大值），因為處理器為任何設置為“小”的揚聲器提供所有濾波。但是依然要評定相開關的位置。一般情況下，相會設置為 0°，但是如果低音炮被定位在與其他揚聲器不同的位置，或者驅動其他揚聲器的功放出現信號顛倒，則請設置為 180°。開關在兩個位置時，都需要視聽，並請選擇聲音最飽滿的一個。如果有細微不同，請將開關設置在 0°。

環繞聲處理器一般都有一個校準噪音信號，可以用來設置所有揚聲器的相對級別，比雙聲道音頻更能直接完成任務。但是，這並不影響你設置個人喜愛的聲道。操作很簡單，不會丟失低音炮的功能，尤其是那些特別的低頻效果。通常描寫更現實，滿意則會更長久，但是必須將低音炮級別設置成低於標準校準級別。

雙聲道音頻

將系統設置在優先位置，並用穩定低音內容編輯一些程式。

相位開關和低通頻率的最佳設置是相關的，且依據衛星揚聲器的低頻切斷特性而定。但是，已選用上述推薦的低通頻率控制和相開關設置，以便更好地綜合最多的衛星揚聲器低音設置。

使用最初設置時，請首先檢查相位開關的設置。選擇聲音最飽滿的項。一般，推薦項都是最佳選擇，但是依據具體情況而定。可能提供給衛星揚聲器的功放會顛倒信號或者低音炮沒有放置在靠近衛星揚聲器的位置。

接下來，調整與你喜歡的衛星系統相關的低音炮的音量（線或揚聲器）。使用大範圍的程式資料來獲得平均設置。對於一個設備來說恰當的設置可能對於另一個來說過強。在現實音量級別上視聽，因為對音樂平衡的感覺會因不同聲音級別而不同。

最後，調整低通頻率控制，以獲得低音炮與衛星揚聲器之間最流暢的傳輸。

所有應用

低音擴展開關提供三種低音炮低音擴展。位置 A 可產生最大擴展，位置 C 產生最小擴展。位置 B 提供折衷設置。如果系統要用於非常高音量級別或者是大型聽力室，受低音擴展的限制，選擇 B 或者 C 都可以幫助確保不用要求低音炮超過其功能極限。大多數情況下，低音擴展開關都應該處於位置 A。

EQ 開關改變低音炮低音衰退調節。你聽到的低音是低音炮加上房間效果的組合，應該選擇最能彌補房間和低音炮定位條件不足的位置。位置 A 提供“較輕”設置，更適合與將低音炮置於拐角或補充共鳴房間。位置 B 適合房間共鳴較小，且非拐角使用。

如果遇到非相等低音的問題—某些低音音符被誇大，大於其他音符—那麼你可能遇到房間接觸面的問題，需要在低音炮位置做實驗。這些看來像是位置上的細小變化—15cm (6in) 等—可以擁有厚重的聲音效果。使用多個低音炮可以改善房間共鳴的效果，因為每個低音炮都會刺激不同頻率的共鳴。如果你略微改動了低音炮和衛星揚聲器與視聽位置的相對距離，請重新評定相位開關設置。還需檢查低音炮的音量（恰當使用處理器輸出級別或者低音炮功放的音量控制），但是一定要先準確設置相位。

維護

機櫃表面需要經常打掃。如果希望使用氣霧劑或其他清洗劑，請先小心取走格窗。在清潔布上噴上氣霧劑，不要直接噴到產品上。首先在小範圍內測試，因有些清洗產品會損壞某些表面。避免使用可造成腐蝕、或含酸、堿、抗菌的產品。不要使用清洗劑清洗驅動器。將格窗從機櫃上取下來後，可以用普通布或刷子清洗格窗纖維。避免接觸驅動器，防止出現損壞。清洗之前請關閉低音炮。

不要將低音炮用作桌台。使用時，如果低音炮頂部放置了物體，則會發出噪音。尤其要避免被液體沾濕（如飲料或者花瓶內的水）。

如果長時間不使用該系統，請斷開低音炮與主電源的聯繫。

Standards conformity

NORTH AMERICA



Conforms to ANSI/UL Standard 60065 7th Edition
Certified to CAN/CSA Standard C22.2 No. 60065

Complies with Part 15 of the FCC Rules

Operation is subject to the following conditions:

1. This device does not cause harmful interference and
2. This device must accept any interference received, including interference that may cause undesired operation.

EU DECLARATION OF CONFORMITY

We,

B&W Group Ltd.

whose registered office is situated at

Dale Road, Worthing, West Sussex, BN11 2BH, United Kingdom

declare under our sole responsibility that the products:

ASW608, ASW610, ASW610XP

comply with the EU Electro-Magnetic Compatibility (EMC) Directive 89/336/EEC, in pursuance of which the following standards have been applied:

EN 55020 : 2007	Sound and television broadcast receivers and associated equipment - Immunity characteristics
EN 55013 : 2001	Sound and television broadcast receivers and associated equipment - Radio disturbance characteristics
EN 61000-3-2 : 2000	Electro-magnetic compatibility (EMC) — Part 3-2: Limits - Limits for harmonic current emissions (equipment input current up to and including 16A per phase)
EN 61000-3-3 : 1995	Electro-magnetic compatibility (EMC) — Part 3-3: Limits - Limitation of voltage changes, voltage fluctuations and flicker in public low-voltage supply systems, for equipment with rated current ≤ 16A per phase and not subject to conditional connection

and comply with the EU Low Voltage Directive 73/23/EEC and amendment 93/68/EEC, in pursuance of which the following standard has been applied:

EN 60065 : 2011	Audio, video and similar electronic apparatus - Safety requirements
-----------------	---

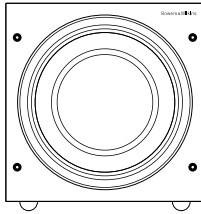
This declaration attests that the manufacturing process quality control and product documentation accord with the need to assure continued compliance.

The attention of the user is drawn to any special measures regarding the use of this equipment that may be detailed in the owner's manual.

Signed:

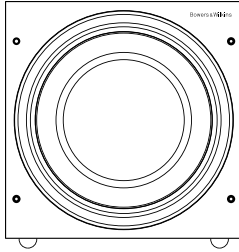
A handwritten signature in black ink, appearing to read 'G Edwards'.

G Edwards
Executive Vice President, Operations
B&W Group Ltd.



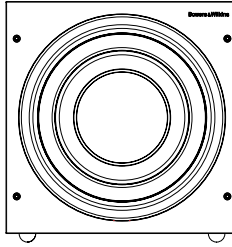
ASW608

Description	Active closed-box subwoofer system	
Drive unit	1x ø200mm (8 in) paper/Aramid Fibre cone long-throw	
Frequency range	-6dB at 23Hz and 25/140Hz adjustable (EQ at A)	
Frequency response	±3dB 32Hz - 40/140Hz adjustable (EQ at A)	
Bass extension	-6dB at 23Hz (position A) -6dB at 28Hz (position B) -6dB at 36Hz (position C)	
Amplifier	Power output:	200W
	Rated power consumption:	40W / 0.5W standby
	Input impedance:	33kΩ
	Signal / noise:	>90dB
	Functions:	Volume level - line in Volume level - speaker in Low-pass filter frequency Low-pass filter bypass Bass extension Bass roll-off alignment Auto sense on/standby Phase switch
	Inputs:	Line in (RCA Phono) Speaker in (Binding post) 12v trigger (3.5mm jack)
Low-pass filter	Active 4th-order, variable cut-off frequency	
Dimensions	Height:	260mm (10.2 in) not including feet
	Width:	260mm (10.2 in)
	Depth:	330mm (13 in) including grille and controls
Net weight	8.85kg (19.5 lb)	



ASW610

Description	Active closed-box subwoofer system	
Drive unit	1x ø250mm (10 in) paper/Aramid Fibre cone long-throw	
Frequency range	-6dB at 20Hz and 25/140Hz adjustable (EQ at A)	
Frequency response	±3dB 27Hz - 40/140Hz adjustable (EQ at A)	
Bass extension	-6dB at 20Hz (position A) -6dB at 25Hz (position B) -6dB at 30Hz (position C)	
Amplifier	Power output:	200W
	Rated power consumption:	40W / 0.5W standby
	Input impedance:	33kΩ
	Signal / noise:	>90dB
	Functions:	Volume level - line in Volume level - speaker in Low-pass filter frequency Low-pass filter bypass Bass extension Bass roll-off alignment Auto sense on/standby Phase switch
	Inputs:	Line in (RCA Phono) Speaker in (Binding post) 12v trigger (3.5mm jack)
Low-pass filter	Active 4th-order, variable cut-off frequency	
Dimensions	Height:	310mm (12.2 in) not including feet
	Width:	310mm (12.2 in)
	Depth:	375mm (14.8 in) including grille and controls
Net weight	12.5kg (27.6 lb)	



ASW610XP

Description	Active closed-box subwoofer system	
Drive unit	ø250mm (10 in) paper/Aramid Fibre cone long-throw	
Frequency range	-6dB at 18Hz and 25/140Hz adjustable (EQ at A)	
Frequency response	±3dB 25Hz– 40/140Hz adjustable (EQ at A)	
Bass Extension	-6dB at 18Hz (position A) -6dB at 23Hz (position B) -6dB at 28Hz (position C)	
Amplifier	Power output:	500W
	Rated power consumption:	94W
	Standby:	0.8W
	Idle (ON no signal)	11.8W
	Input impedance:	33kΩ
	Signal / noise:	>80dB
	Functions:	Input level (line in) Input level (speaker in) Low-pass filter frequency Low-pass filter bypass Bass extension Bass roll-off alignment Auto sense on/standby Phase switch
	Inputs:	Line In (RCA Phono) Speaker in (Binding post) 12v trigger (3.5mm jack)
Low-pass filter	Active 4th-order, variable cut-off frequency	
Dimensions	Height:	325 mm (12.2 in) not including feet
	Width:	325 mm (12.2 in)
	Depth:	374mm (14.7 in) including grille and controls
Net weight	15.5kg (34.4 lb)	

Bowers & Wilkins

B&W Group Ltd
Dale Road
Worthing West Sussex
BN11 2BH England

T +44 (0) 1903 221 800
F +44 (0) 1903 221 801
info@bwgroup.com
www.bowers-wilkins.com

B&W Group (UK Sales)
T +44(0) 1903 221 500
E uksales@bwgroup.com

B&W Group North America
T +1 978 664 2870
E marketing@bwgroupusa.com

B&W Group Asia Ltd
T +852 3472 9300
E info@bwgroup.hk

Copyright © B&W Group Ltd. E&OE
Printed in China