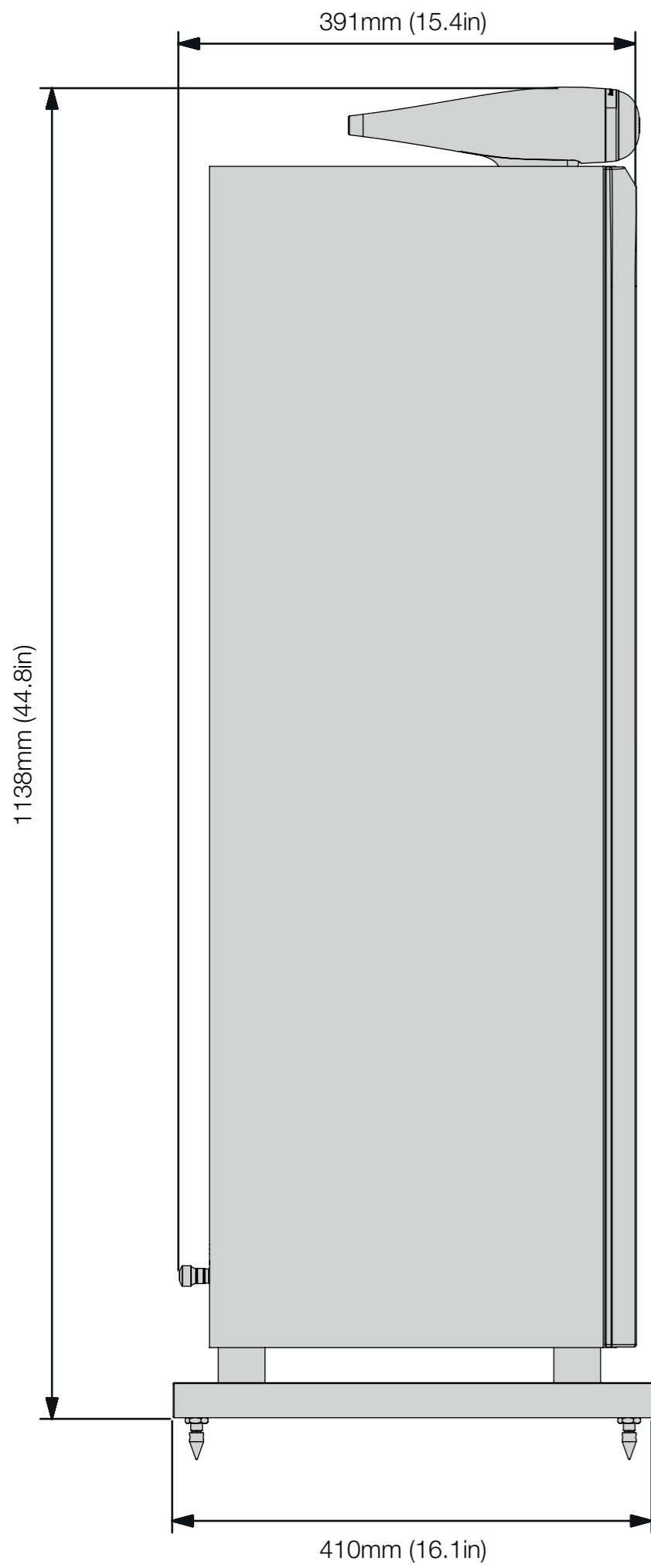
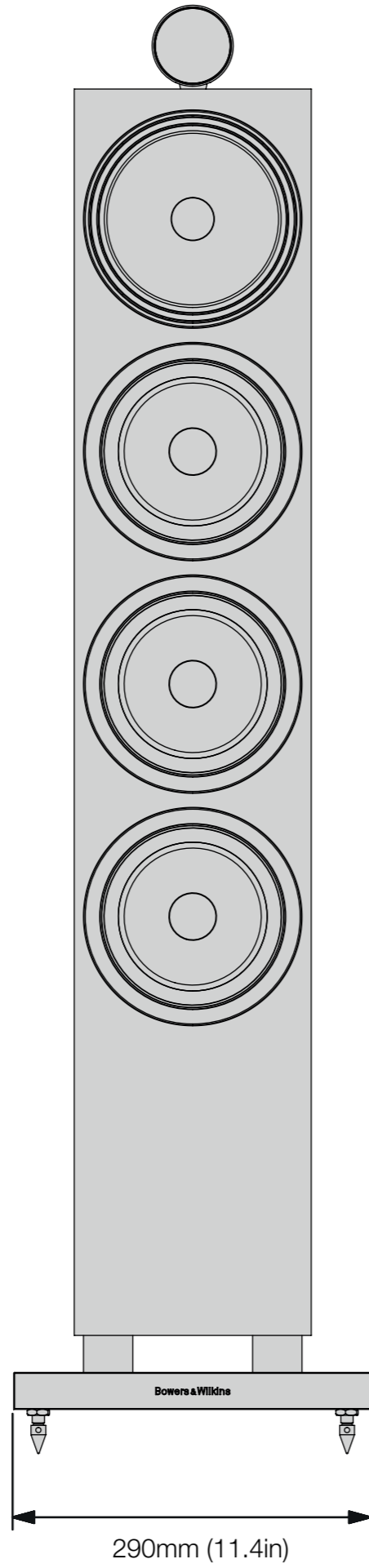


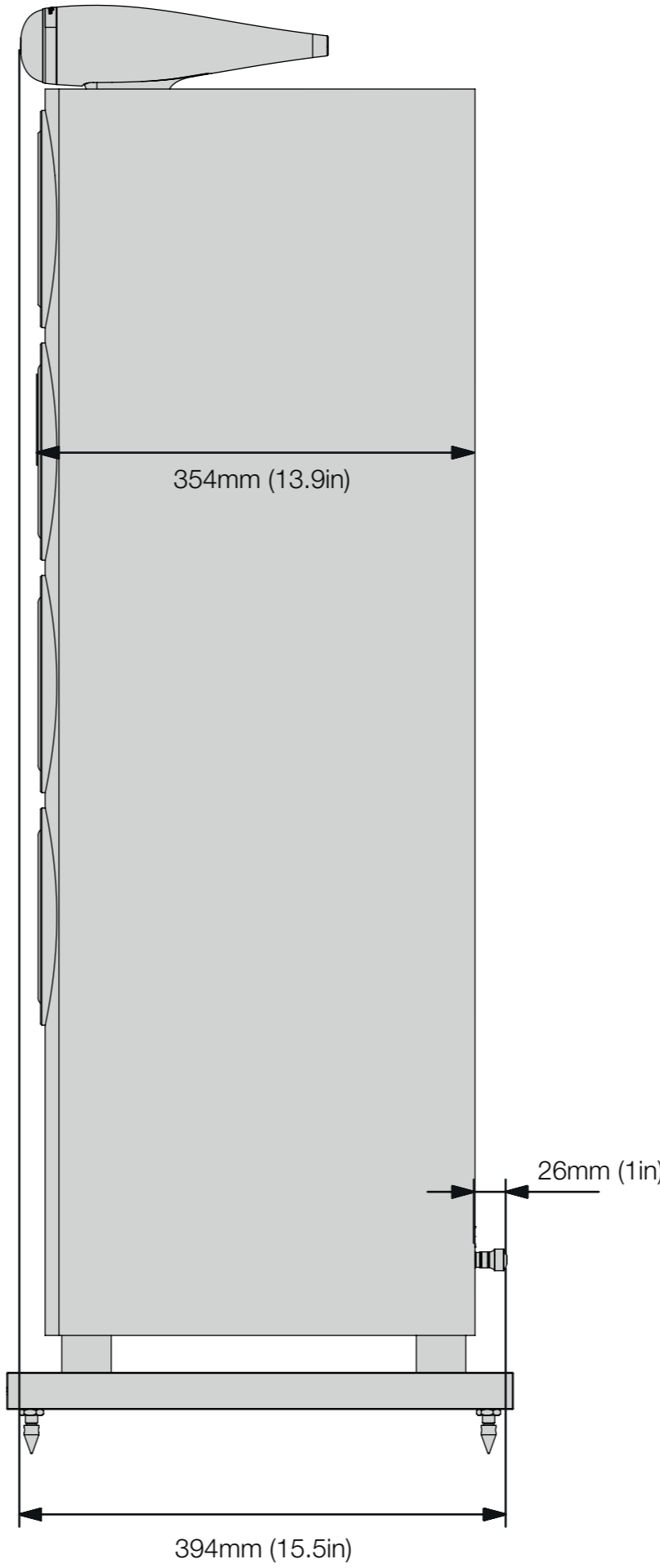
SIDE (WITH GRILLE)



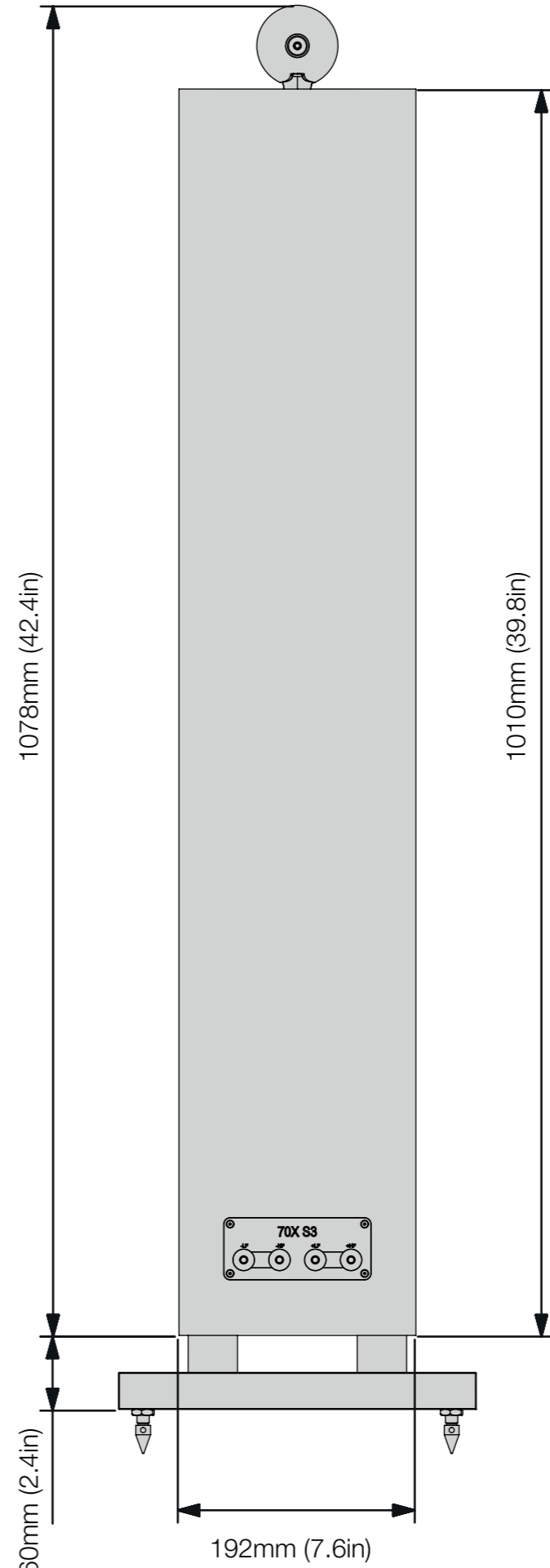
FRONT



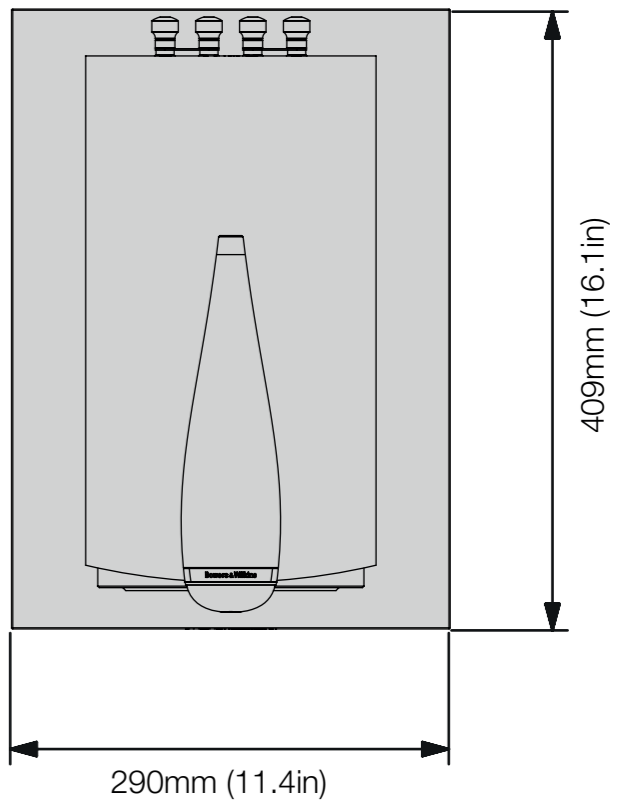
SIDE



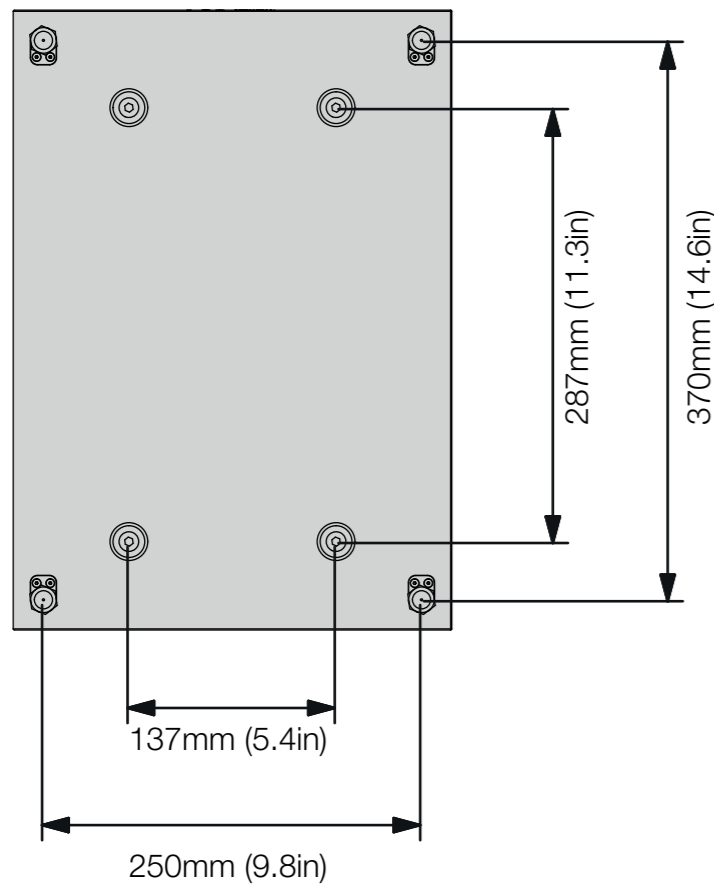
BACK



TOP



PLINTH BASE
SCREW AND FOOT ALIGNMENT



CABINET BASE
SCREW ALIGNMENT FOR PLINTH

