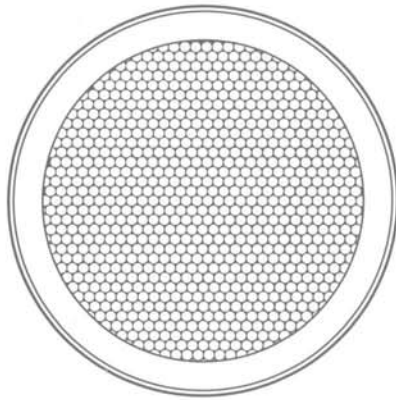


OWNER'S MANUAL

CCM'60



LISTEN AND YOU'LL SEE

INTRODUCTION

Thank you for purchasing B&W CCM60 Flush Mounting Speakers.

Since its foundation in 1966, the continuing philosophy of B&W has been the quest for perfect sound reproduction. Inspired by the company's founder, the late John Bowers, this quest has entailed not only high investment in audio technology and innovation but also an abiding appreciation of music to ensure that the technology is put to maximum effect.

The CCM60 is designed as an easy to fit, flush mount loudspeaker offering the possibility of true Hi-Fi sound in many different applications. The CCM60 features a high sensitivity of 90dB and a coaxial 2-way drive unit. Once fitted it can be painted, providing a discreet, space saving and 'child proof' alternative to conventional 'box' loudspeakers.

UNPACKING

When unpacking the CCM60 be sure to retain the circular piece of packing card that you will find between the two wall frames. This is the cutout template used for the installation.

Check the contents of the pack are correct as listed below:

- 2 x Wall frames, each fitted with grille mesh,
- 4 x spring clips and 4 associated screws
- 2 x Coaxial drive units
- 8 x Drive unit fixing screws

POSITIONING

As a rule try to keep the loudspeakers more than 0.5m (20 in) from the wall edges otherwise the bass may be too boomy. The following are recommendations for mounting positions depending on the application, but may need to be modified in line with on-site constraints.

For stereo audio, and for the main Left and Right channels of a Home Cinema system, the loudspeakers should be mounted at ear height (when seated) and for Home Cinema approx. 1m (3ft) either side of the screen. Too close or too far apart will cause an unrealistically small or large acoustic image. Ideally they should be spaced apart just less than the distance from loudspeaker to listener.

For the Centre channel of a Home Cinema system the loudspeaker should be mounted either directly above or directly below the centre of the screen, whichever is nearest ear height. The loudspeaker should be within line of sight and not blocked by furniture.

For the Surround channel of a Home Cinema system the loudspeakers should either be mounted in the ceiling about 1m (3ft) behind the listeners or in the rear wall 0.6m (2ft) or more above ear height, pointing along the side walls.

For distributed sound mount the loudspeakers in the ceiling. The spacing will depend on the height of the ceiling and the level of sound required. More speakers played at a lower level will give better clarity.

FITTING

Before you begin cutting the hole, use a stud finding tool and pipe detector to scan the wall. Avoid installing the speakers in the same cavity as flimsy ducting, which may rattle.

Use a compass or the template provided to draw a circle and cut a circular hole 200mm (7 7/8 in) diameter in the wall panel. Loosely line the cavity behind the drive unit with glass fibre or similar.

Remove the grille from the wall frame, fit the wall frame into the aperture and flip all four spring clips round to grip behind the wall panel. Tighten all four screws evenly until the frame is secure.

To reduce the risk of damage by short circuit, do not connect the cable to the amplifier until after the connection has been made to the speaker. Use twin cable that is coded for polarity. Choose a gauge heavy enough to keep the loop impedance below the maximum recommended. Cut off any excess cable. Do not coil it. To avoid rattles, tie down loose cable near the speaker with clips, mastic or tape.

FINISHING

Once the frame is secure in the wall it can be decorated to match the surrounding decor. This must be done before the drive unit and grille are fitted, these parts should also be removed if the wall frame is to be re-decorated at a later date. The grille may be covered with a suitable acoustically transparent cloth if desired.

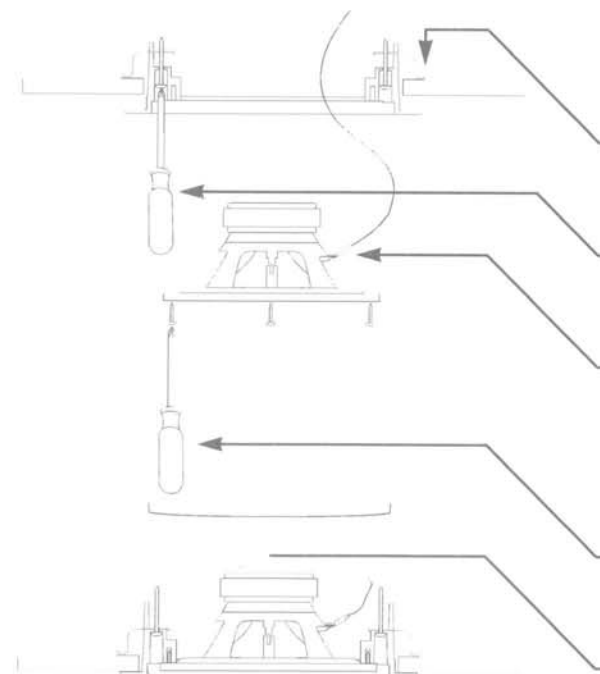
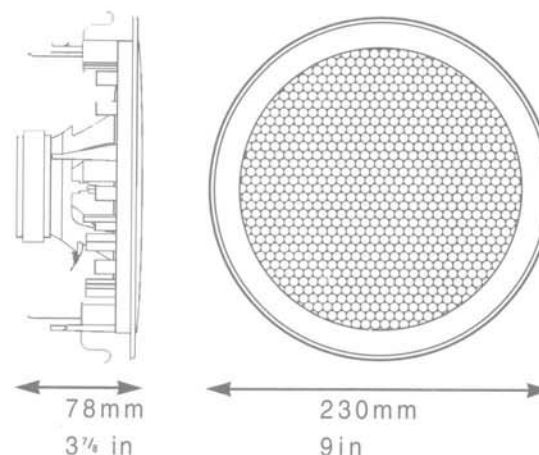
Offer up the drive unit to the frame and attach the wires protruding through the frame. The drive unit terminals accept standard type 250 (6.3mm X 0.8mm) female crimp-on connectors. Alternatively, carefully solder the wires directly to the terminals. Make sure you observe the correct polarity.

Feed the drive unit into the frame and using the screws provided (4 for each drive unit), secure it to the wall frame. Before fitting the grille, check the operation of all the loudspeakers in the installation. When you are satisfied that the installation is performing correctly, push all the grilles into the wall frames.

AFTERCARE

The CCM60 grille will normally only require light dusting. If you wish to clean it more thoroughly, remove the grille and wash it gently in warm, soapy water. The grille should then be rinsed and completely dried before pushing it back into place.

Avoid touching the drive units, especially the tweeter, as damage may result.



- 1 Cut out hole in ceiling or wall using template as cutting guide, or to a diameter of 198 - 202mm (7 7/8 in).
- 2 Fit wall frame (without grille) into pre-cut hole and flip all four clips over to hold bezel into place.
- 3 Using a No 2 Pozidriv screwdriver, tighten all four screws until secure.
- 4 Push spade receptacles onto drive unit terminals.
- 5 Firmly secure speaker into wall frame using the four screws provided using the same No 2 Pozidriv.
- 6 After testing, press in grille.
- 7 Final Assembly.



C C M' 6 0

| | |
|-----------------------------|--|
| DESCRIPTION: | 2-way coaxial ceiling/wall mount system |
| DRIVE UNITS: | 1x 165mm (6½ in) polypropylene bass/mid 1x 25mm (1 in) polyester high-frequency |
| FREQUENCY RANGE: | -6dB at 40Hz and 30kHz |
| FREQUENCY RESPONSE: | 60Hz - 20kHz ±3dB on axis |
| DISPERSION: | Within 2dB of on axis response 20Hz - 10kHz over 40° arc |
| SENSITIVITY: | 90dB spl (2.83V, 1m) |
| NOMINAL IMPEDANCE: | 4Ω |
| CROSSOVER FREQUENCY: | 5kHz |
| POWER HANDLING: | 10-80W continuous into 4Ω on undistorted programme |
| MAX. RECOMMENDED | |
| CABLE IMPEDANCE: | 0.3Ω |
| DIMENSIONS | Diameter: 230mm (9 in) Depth: 78mm (3¼ in) from wall surface |
| FINISH: | Semi-matt white |



L I S T E N A N D Y O U ' L L S E E