

Bowers & Wilkins

PX
Wireless
Headphones

Welcome to Bowers & Wilkins and the PX Wireless Headphones.

Thank you for choosing Bowers & Wilkins. When John Bowers first established our company he did so in the belief that imaginative design, innovative engineering and advanced technology were keys that could unlock the enjoyment of audio in the home. His belief is one that we continue to share and it inspires every product we design.

PX headphones are high performance over-ear units that provide the highest quality personal audio experience combined with the convenience of wireless operation and the serenity of noise-cancellation. This manual will tell you everything you need to know to get the most from your PX headphones.

Your PX headphones can play music streamed wirelessly from your mobile phone, tablet or computer via Bluetooth, or conventionally connected by a jack cable to a suitable headphone output.

PX headphones can also play audio via a USB connection from a computer, and can be used for wireless telephony.

PX headphone Real World Listening features include Environment Filter and Voice Pass-through. Environment Filter noise-cancellation is optional and can be simply enabled or disabled via a button on the headphones. The Voice Pass-through feature enables external sounds, such as conversation or safety announcements, to be heard clearly without any need to remove the headphones. Environment Filter and Voice Pass-through are enabled via the Headphone iOS and Android app available. The app also enables certain headphone characteristics to be adjusted.

PX headphones incorporate a rechargeable battery pack. When fully charged and depending on the degree of Bluetooth, Environment Filter and Voice Pass-through use, the battery pack can provide up to 22 hours use at average volume levels.

1. PX Carton Contents

- i. PX Wireless Headphones
- ii. USB charging cable
- iii. Audio jack cable
- iv. Storage pouch
- v. Literature pack

Environmental Information

This product complies with international directives, including but not limited to the Restriction of Hazardous Substances (RoHS) in electrical and electronic equipment, the Registration, Evaluation, Authorisation and restriction of Chemicals (REACH) and the disposal of Waste Electrical and Electronic Equipment (WEEE). Consult your local waste disposal authority for guidance on how properly to recycle or dispose of this product.

2. Getting To Know PX headphones

Once switched on via the power slide-switch on the right hand ear-piece, your PX headphones can be controlled via Play/Pause and Volume buttons also located on the right hand ear piece. A connected Bluetooth or USB device will also be able to control headphone volume and audio playback.

An indicator alongside the Bluetooth button displays connection status and battery charge level. The headphones also play audio cues for some control commands and events.

Note: Indicator illumination is listed in Diagram 7.

Note: Audio cues can be toggled on and off by pressing the Play/Pause and Volume + buttons simultaneously.

A USB socket and an audio jack socket are located on the underside of the right hand ear-piece. The right hand ear piece also incorporates a pin-hole restart button beneath the ear pad.

Note: Connecting audio jack and USB cables is described in Section 10.

PX headphones incorporate proximity sensors in their ear-pieces that mean they will enter standby mode and disconnect from any connected Bluetooth devices two minutes after removal from the head. They will automatically wake from standby and connect to the last connected Bluetooth device when worn on the head.

A press button alongside the power button enables and disables Environment Filter noise-management. When enabled, Environment Filter operates on all three headphone inputs: Bluetooth, USB and audio jack.

Note: Button functions are listed in Diagram 8.

The Bowers & Wilkins Headphone app provides extended set up and control functions, including Environment Filter and Voice Pass-through, adjustment and mode selection. Ear-piece proximity sensor sensitivity can also be adjusted within the app. The app is available as a free download for iOS and Android devices.

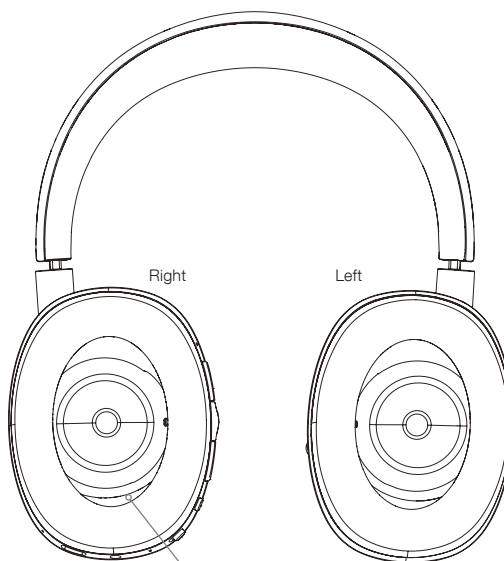
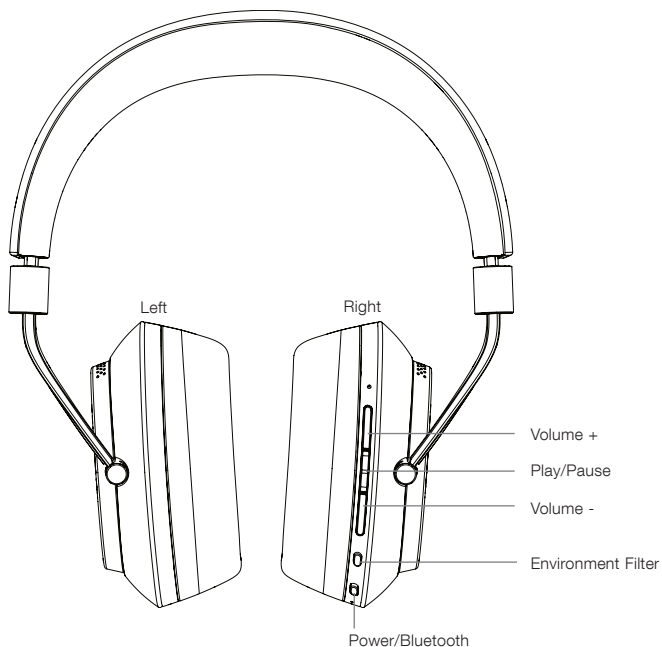


Diagram 1
Main features

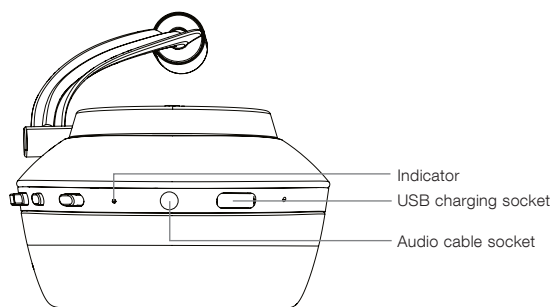


Diagram 2
Underside view

3. Battery Charging

PX headphones are shipped with battery power and may be used immediately, however, it is good practice to charge the battery fully before first use. It can take up to 3 hours for PX headphones to reach full charge. However it is possible to use them while the battery is charging.

Note: The indicator initially displays battery charge when PX headphones are switched on. Green indicates that the battery is above 50% charged. Yellow indicates that the battery is between 50% and 30% charged. Red indicates that the battery is below 30% charged. If the indicator blinks red, the battery charge is insufficient for headphones operation. Indicator illumination is fully described in Diagram 7.

Battery charging is described in the following paragraphs:

- Using the supplied USB charging cable, connect the headphones to a powered USB socket: a computer USB socket, a mains USB charger or an in-car charger.
- While charging, the headphone indicator will blink green. As the level of charge increases the illuminated period of the blink will get longer. When fully charged the indicator will remain illuminated.

4. Wearing Your Headphones

Using your headphones correctly will help ensure that their performance reaches its full potential. First, identify the left and right ear pieces. Identification legends can be found on the lower inside of the headband as illustrated in Diagram 3.

Place the headphones on your head with the headband adjusted so that each ear piece sits comfortably over the ear as illustrated in Diagram 4. Ensure that the ear pieces are not pulling upwards and causing unnecessary pressure on your head.

We recommended that you return your headphones to their storage pouch when not in use.

Note: Wearing glasses that distort the profile of your ears may interfere with headphone Environment Filter performance. Similarly, hair trapped between your ears and the headphone ear-pieces may compromise proximity sensing.

5. Switching On and Off

To switch on your PX headphones, slide the power button sideways as shown in Diagram 5.

Your PX headphones are designed to switch intelligently to standby and disconnect from Bluetooth when not in use, and to wake up when worn, so there is generally no need to switch them off. Should you want to switch off however, slide the power button and hold it for a second or two. The indicator will flash red to confirm switch off.

The headphones will provide an audio cue as they switch on and off.

Note: PX headphones left switched on but inactive for more than two minutes will automatically switch to standby mode to save battery power.

Note: The sensitivity of the ear-piece proximity sensors that control switch on and standby can be adjusted within the headphone app.

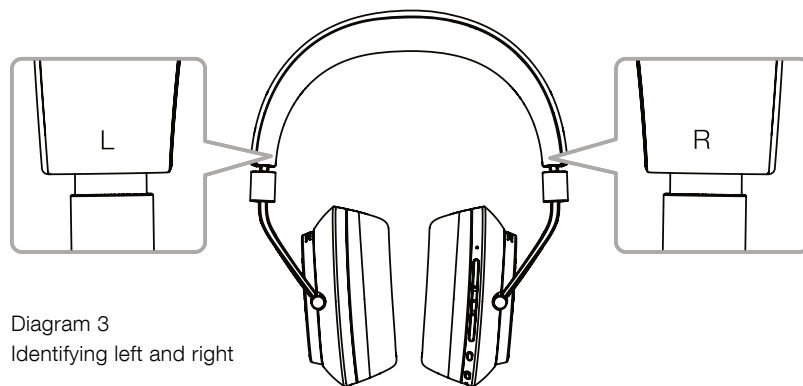


Diagram 3
Identifying left and right

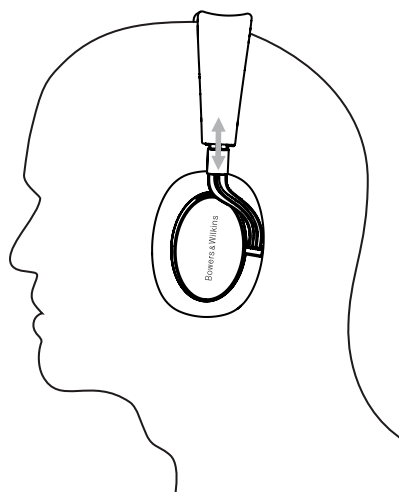


Diagram 4
Adjusting the ear-piece

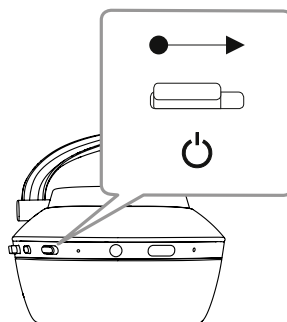


Diagram 5
Switching on

6. Bluetooth Pairing

To connect your PX headphones to a Bluetooth enabled audio device, such as your mobile phone, they must first be 'paired' with the device. Once paired, the Bluetooth device and the headphones will 'remember' each other will be able to connect without re-pairing when within range.

The first time you switch on your PX headphones they will start up in Bluetooth pairing mode. To pair a device follow these steps:

- Ensure the headphones are switched on and in Pairing Mode. The indicator will blink blue.
- Open the Bluetooth settings on the device to be paired and ensure Bluetooth is switched on. 'PX Bowers & Wilkins' will appear as an available device. Select 'PX Bowers & Wilkins' and close the Bluetooth settings.
- The headphone indicator will flash blue while pairing is underway and switch to continuous blue when pairing is established. The headphones will also play an audible cue when pairing is established.
- Once pairing is established, ensure that the headphones are selected as the playback device in the audio apps.

For any subsequent pairs, your headphones must be switched manually to pairing mode: This is illustrated in Diagram 6.

- With the headphones switched on, press and hold the combined Bluetooth/power button directly inwards for two seconds. The indicator will flash blue and the headphones will play a cue as they enter Pairing Mode.
- Once again, go to the Bluetooth setup screen of the device you want to pair with the headphones and look for 'PX Bowers & Wilkins' in the list. Tap on it and the two devices will pair.

Note: Your headphones will automatically exit from Bluetooth pairing mode if no device is paired within five minutes.

Note: Pairing may occasionally fail, in which case the headphone indicator will flash blue in two second bursts. Try again with the two devices closer together.

6.1 Bluetooth Pairing Notes

- Your PX headphones can remember up to eight paired Bluetooth devices. It is possible for two devices to be connected simultaneously to enable, for example, music to play from one device while telephone calls are taken from the other.
- When your headphones start up following a period switched off or in standby mode, they will connect to the last connected device if it is switched on and within range. Other paired devices will not connect automatically but must be selected for connection via their Bluetooth settings.
- When disconnected, pressing the headphone's Bluetooth button at any time will cue connection to the last connected device if possible.
- To disconnect a Bluetooth source device from your PX headphones press the Bluetooth button twice in quick succession. This will disconnect all Bluetooth connected devices. The headphones will play an audible cue when Bluetooth is disconnected.

- The headphone paired device memory can be erased by pressing and holding and the Bluetooth and Volume – buttons simultaneously for 2 seconds. The indicator will flash and your headphones will restart.

7. Controlling Bluetooth Audio

The PX headphone Play/Pause, Volume + and Volume – buttons can be used to control audio:

- To increase volume press the Volume + button.
- To decrease volume press the Volume – button.
- To play or pause audio press and release the Play/ Pause button.
- To select the next track press the Play/ Pause button twice in quick succession.
- To select the previous track press the Play/ Pause button three times in quick succession.

8. Real World Listening

PX headphone Environment Filter noise-cancellation is switched on by pressing the Environment Filter button on the side of the right ear piece. Environment Filter is switched off by default. Three alternative Environment Filter profiles are available that provide noise-cancellation characteristics tuned for different environments. These are selected via the Bowers & Wilkins Headphone app. The right ear piece Environment Filter on/off button will select the last used noise-canceling profile.

The PX headphone Voice Pass-through function enables external sounds such as conversation or safety announcements to be heard without the need to remove the headphones. Voice Pass-through is selected via the Bowers & Wilkins Headphone app.

Note: The Environment Filter and Voice Pass-through functions do not require the headphones to be playing an audio signal. If headphone audio is playing the audibility of Voice Pass-through will always to some extent depend on its character and volume level.

Note: Wearing glasses that distort the profile of your ears may interfere with headphone Environment Filter performance. Similarly, hair trapped between your ears and the headphone ear-pieces may compromise proximity sensing.

9. Mobile Phone Use

Your PX headphones can be used with a Bluetooth connected mobile phone to make voice calls:

- To answer a call press and release the Play/ Pause button.
- To reject a call press the Play/Pause button for two seconds.
- To end a call press and release the Play/ Pause button.

Bluetooth audio playing while a telephone call is taken will be paused. It will resume when the call is ended.

Note: Telephone functions only operate when the headphones are connected via Bluetooth.

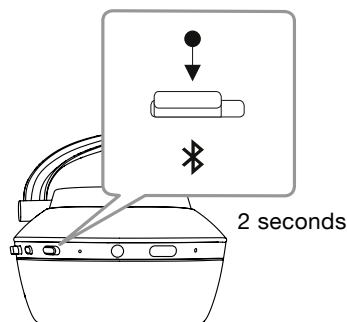


Diagram 6
Switching manually to Bluetooth pairing mode

10. Wired connection

In addition to operating wirelessly, your PX headphones can be connected to audio sources using the supplied audio jack and USB cables.

Audio jack cable connection is useful if the headphones are to be used on board an aircraft or with a non-Bluetooth audio source such as a traditional hi-fi system.

Note: Your PX headphones need to be charged and switched on to play audio using a jack.

USB connection enables your PX headphones to function as a USB sound output device when connected to a suitable computer.

Note: The USB and jack cables can be connected simultaneously so that USB battery charging can continue while the headphone jack input is in use.

Connecting an audio jack cable and PX headphone behaviour with the jack input in use is described in the following paragraphs:

- Take one end of the jack cable and insert the plug into the socket in the lower section of the right ear piece. Make sure the plug is fully home. Connect the other end of the cable to an audio playback device's headphone socket.
- The headphone volume controls and Play/Pause button will not function when a jack cable connection is in use.
- Connecting a jack cable will automatically pause PX headphone Bluetooth streaming. To restore Bluetooth streaming the jack cable must be disconnected from the headphone ear piece.

Connecting and using the USB cable and PX headphone behavior with USB input in use is described in the following paragraphs:

- Disconnect any connected Bluetooth devices by pressing the Bluetooth button on the right hand ear piece twice in quick succession.

Note: Bluetooth must be disconnected for USB audio to be played.

- Plug the small USB plug into the socket on the underside of the right hand headphone ear piece. Plug the larger USB plug into a computer USB socket. If the computer USB socket is powered, the headphone battery will immediately begin to charge.
- Select the PX headphones as the playback device in the computer's audio output control panel. Audio selected in computer audio playback apps will now play through your PX headphones.
- The headphone volume and Play/Pause controls will function normally when playing USB audio.
- To restore headphone Bluetooth functions press the Bluetooth button. The headphones will attempt to connect to the last connected device.

11. Headphone Firmware Update

Your PX headphones will occasionally be subject to firmware updates as performance is refined and new features are added.

When a firmware update is available the headphone app will display a notification. Tap on the notification in the app to begin the update process.

Note: The headphones and mobile device must remain switched on and in close proximity during the firmware update process. It is important also that the battery charge remaining in the headphones is sufficient for the firmware update to be completed. The app will indicate if there is not enough battery charge available to complete the firmware update.

12. Headphone Reset and Restart

Your PX headphones can be reset to their default settings by using the Factory Reset option in the headphone app, or they can be restarted by pressing the pin-hole restart button located within the right ear-piece. The pin-hole button is illustrated in Diagram 1.

To use the restart button employ a straightened paper-clip to press and hold for two seconds. The headphones will turn off during the restart process. Switch on the headphones to complete the restart process.

Note: A pin-hole restart will not clear the Bluetooth paired device memory.

13. Cleaning Your PX Headphones

Your PX headphones can be cleaned by using a damp cloth and dabbing them until clean. Do not rub the cloth on the leather. Do not use cleaning detergents or leather polish as doing so may damage your headphones.

Note: The PX headphone leather ear-piece components are magnetically attached and can be removed for cleaning if required by gently pulling them away from the body of the ear-piece.

Diagram 7 Indicator Illumination

Illumination	Indication
Green (slow blinking)	Battery charging
Green	Headphones on, battery charge > 50%
Yellow	Headphones on, battery charge > 30%
Red	Headphones on, battery charge < 30%
Red (slow blinking)	Battery charge insufficient for headphone operation
Red (flashing)	Headphones powering off
Blue	Bluetooth connection established
Blue (flashing)	Bluetooth pairing mode active
Blue (slow blinking)	Bluetooth pairing underway
Blue (repeating flash)	Bluetooth pairing failed
White	Environment Filter active

Diagram 8 Button Functions

Button	Action	Function
On/Off/Bluetooth	Slide	Switch on
	Slide and hold	Switch off
	Press and hold	Enter pairing mode
	Press	Connect to last connected Bluetooth device
On/Off/Bluetooth and Volume -	2 x Press	Disconnect all Bluetooth devices
	Press and hold both	Erase Bluetooth device memory
Environment Filter	Press	Engage or disengage last Environment Filter setting selected in the app.
Volume +	Press	Increase volume
Volume -	Press	Decrease volume
Play/Pause	Press	Play or pause audio
	2 x Press	Play next track
	3 x Press	Play previous track

Note: The headphone volume controls and Play/Pause button will not function when a jack cable connection is in use.

Play/Pause	Press	Answer or end telephone call
	Press and hold	Reject telephone call

Note: Telephone functions only operate when the headphones are connected via Bluetooth.

Play/Pause and Volume +	Press both	Switch audio cues on/off
-------------------------	------------	--------------------------

Specifications

Technical Features:	<p>Adaptive noise cancellation and voice pass-through</p> <p>Bluetooth audio – Bluetooth 4.1 with aptX-HD</p> <p>Smart sensing for Play/Pause/On/Off</p> <p>USB-C charging and audio interface</p> <p>Rechargeable lithium battery</p> <p>Soft leather memory foam cushions</p> <p>World-class acoustics</p> <p>Premium materials and build quality</p> <p>Mobile companion app for personalised audio playback</p> <p>Fold flat design</p>
Bluetooth Codecs:	<p>aptx-HD</p> <p>AAC</p> <p>SBC</p>
Bluetooth Profiles	<p>A2DP v1.3</p> <p>AVRCP v1.6</p> <p>HFP v1.6</p> <p>HSP v1.2</p> <p>GAP</p> <p>SDAP</p> <p>DIP</p>
Drive Units:	2 x 40mm full range
Frequency Range:	10Hz to 20kHz
Input Impedance	22 Ohms
Distortion (THD):	<0.3% (1kHz/10mW)
Sensitivity:	111dB/V @ 1kHz
Battery Life:	22 hours BT/ANC, 29 hours BT only, 33 hours wired with ANC, 50 hours wired only.
Inputs:	Bluetooth, 3.5mm stereo jack, USB-C audio
Boxed Accessories:	1.2m stereo jack audio cable, 1.2m USB-A to USB-C cable. Protective pouch
Weight:	335 grams

Bienvenue chez Bowers & Wilkins et au Casque Sans Fil PX

Merci d'avoir choisi Bowers & Wilkins. Lorsque John Bowers a créé sa société, il savait déjà qu'un design imaginatif, une conception innovante et une technologie avancée seraient les clés du plaisir de l'écoute de la musique à domicile. C'est cette philosophie qui, aujourd'hui, continue de nous inspirer dans la conception de chaque nouvel appareil.

Le PX est un casque supra-auriculaire haute performance, qui vous offrira la meilleure qualité de restitution audio possible associée à la praticité de la technologie sans fil et à la sérénité de l'écoute avec annulation de bruit. Ce manuel vous indiquera tout ce que vous devez savoir pour obtenir le maximum de votre casque PX.

Le PX pourra être utilisé à la fois pour diffuser le flux audio issu de votre téléphone portable, tablette ou ordinateur grâce à la technologie Bluetooth, ou de façon conventionnelle en mode « passif » en connectant le câble à une sortie casque appropriée. Le PX pourra aussi être utilisé pour passer ou pour répondre à des appels téléphoniques sans fil.

Le PX est doté de fonctions d'écoutes avancées (Real World Listening) incluant des « Filtres d'Environnement » (Environment Filter) et des « Filtres des Voix Extérieures » (Voice Pass-Through). L'annulation de bruit avec Filtre d'Environnement est optionnelle, elle peut être activée ou désactivée en appuyant sur un bouton situé sur le casque. La fonction dite de « filtrage des voix extérieures » permet à certains sons, notamment des conversations proches ou des annonces de sécurité, d'être entendus de façon claire sans avoir à retirer le casque. Les filtres d'environnements et des voix extérieures pourront être activés via l'application « Casque » (Bowers & Wilkins Headphones) pour iOS ou Android. Cette application vous permet en outre d'ajuster certaines fonctions ou caractéristiques de votre casque.

Pour pouvoir être utilisé sans fil, le PX intègre une batterie rechargeable. Lorsqu'elle est chargée au maximum, et selon votre utilisation de la fonction Bluetooth et des Filtres d'Environnements et des Voix Extérieures, elle vous offrira jusqu'à 22 heures d'autonomie à des volumes d'écoute standards.

1. Contenu du carton du PX

- i. Casque Sans Fil PX
- ii. Câble USB de rechargement
- iii. Câble audio
- iv. Housse de transport
- v. Manuels

Information sur l'environnement

Ce produit est conforme aux directives internationales, incluant notamment la restriction des substances dangereuses (RoHS) dans les équipements électriques et électroniques, l'enregistrement, l'expertise, l'autorisation et la restriction des produits chimiques (REACH) et les dispositions en matière de collecte, d'évacuation et de recyclage du matériel électrique et électronique (WEEE). Consulter votre autorité locale de traitement des déchets pour obtenir des informations sur la bonne façon d'évacuer ou de recycler ce produit.

2. Faites connaissance avec votre PX

Une fois mis sous tension par l'interrupteur d'alimentation situé au niveau de l'écouteur droit, le PX sera piloté par les boutons Lecture/Pause, Volume + et Volume -, également positionnés sur l'écouteur droit. Un appareil connecté en Bluetooth ou par USB pourra aussi piloter le volume du casque ainsi que la lecture audio.

Un indicateur lumineux, situé à côté du bouton Bluetooth, affiche l'état de la connexion Bluetooth et le niveau de charge de la batterie. En outre, le PX émet des messages sonores en réponse à certaines commandes et événements.

Remarque : la signification des indicateurs lumineux est détaillée sur le schéma 7.

Remarque : il est possible de couper ou d'activer les alertes sonores en appuyant simultanément sur les touches « Lecture/Pause » et « + ».

Une prise USB et une prise audio jack sont situées au niveau de l'écouteur droit. Un trou de réinitialisation est positionné sous le coussin de l'oreillette droite.

Remarque : La connexion des câbles audio et USB est décrite au niveau du paragraphe 10.

Le casque PX incorpore des capteurs de proximité situés dans les écouteurs. Le casque va par conséquent passer automatiquement en mode Veille et se déconnecter de tous les périphériques Bluetooth deux minutes après que vous l'avez retiré de votre tête. Inversement, il va automatiquement se remettre sous tension et se reconnecter au dernier appareil Bluetooth connecté quand vous le reposerez sur votre tête.

Un bouton situé à côté du bouton d'alimentation permet d'activer ou de désactiver l'annulation de bruit avec Filtre d'Environnement. Lorsqu'il est activé, le Filtre d'Environnement fonctionne pour chacune des trois entrées du casque : Bluetooth, USB et jack audio.

Remarque : les fonctions associées à chaque bouton sont listées sur le schéma 8.

L'application Bowers & Wilkins Casque offre des fonctions de configuration et de pilotage plus étendues, notamment les réglages et la sélection des différents filtres d'environnements et de voix extérieures. La sensibilité des capteurs de proximité peut également être ajustée au sein de l'application. Cette application est disponible en téléchargement gratuit à la fois pour les appareils iOS et Android.

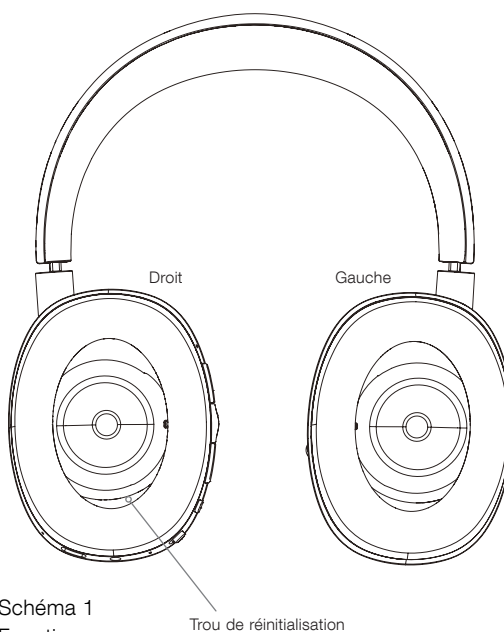
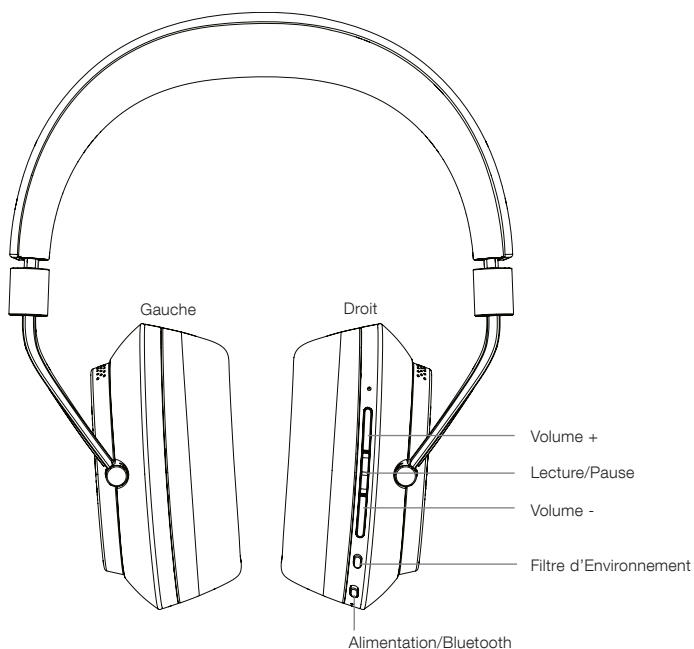


Schéma 1
Fonctions principales

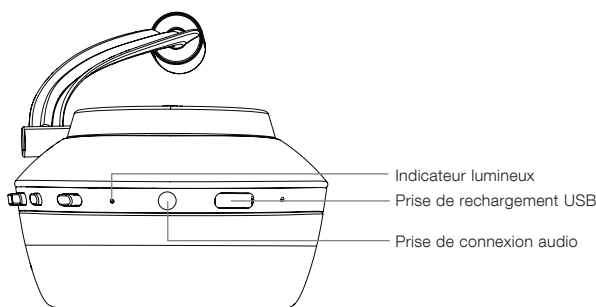


Schéma 2
Vue arrière du casque

3. Rechargement de la batterie du PX

Le PX est livré avec sa batterie chargée et pourra par conséquent être utilisé immédiatement. Cependant, il est toujours préférable de recharger la batterie complètement avant sa première utilisation. Il faudra environ 3 heures pour recharger complètement la batterie du PX. Il est toutefois possible de l'utiliser pendant le rechargement.

Remarque : l'indicateur lumineux affiche le niveau de charge de la batterie quand le PX est en marche. S'il est allumé en vert, cela signifie que la batterie dispose d'au moins 50% de charge. S'il est jaune, entre 30% et 50%. Enfin, si l'indicateur est rouge, cela veut dire que le niveau de charge est inférieur à 30%. Si l'indicateur clignote en rouge, le niveau de charge de la batterie est trop faible pour que le PX puisse fonctionner. La liste des couleurs que peut prendre l'indicateur lumineux et leur signification sont détaillées au niveau du schéma 7.

Pour recharger votre PX, veuillez suivre les instructions ci-dessous.

- En utilisant le câble de rechargement USB fourni, reliez le casque à une alimentation USB active: la prise USB d'un ordinateur, un chargeur USB, ou un chargeur pour automobile (de type allume-cigare).
- Pendant le rechargement, l'indicateur clignote en vert. Au fur et à mesure que le niveau de charge de la batterie augmente, l'indicateur reste allumé plus longtemps. Lorsque la batterie est complètement rechargée, l'indicateur reste allumé en vert de façon continue.

4. Comment porter votre PX

Une utilisation correcte de votre casque vous permettra d'en exploiter tout le potentiel et d'en obtenir des performances optimales. Tout d'abord, vous devez identifier les écouteurs gauche et droit. A cet effet, des indications sont gravées à l'extrémité dans la partie métallique de la bande de tête, à proximité de chaque écouteur, comme illustré sur le schéma 3.

Vous pouvez le positionner sur votre tête, en faisant glisser la bande de tête de façon à ce que chaque écouteur soit centré confortablement au niveau de chaque oreille, comme illustré sur le schéma 4.

Nous vous conseillons de ranger votre casque dans sa housse quand il n'est pas utilisé.

Remarque : des branches de lunettes épaisses qui déforment vos oreilles peuvent perturber les performances du Filtre d'Environnement. De même, la présence de cheveux entre vos oreilles et les écouteurs du casque peut compromettre le bon fonctionnement des capteurs de proximité.

5. Activation et désactivation

Pour activer votre PX, faites glisser l'interrupteur coulissant de mise en marche comme indiqué sur le schéma 5.

Votre casque PX a été conçu pour passer intelligemment en mode veille en se déconnectant de la liaison Bluetooth lorsqu'il n'est plus utilisé, et pour se réactiver automatiquement dès qu'il est de nouveau sur votre tête. Il ne sera, normalement, pas nécessaire de le désactiver. Si toutefois vous souhaitez le faire, faites coulisser le bouton de mise en marche et maintenez-le pendant une ou deux secondes. L'indicateur lumineux va passer en rouge, pour confirmer la désactivation.

Le casque émet un message sonore quand il est mis en marche ou arrêté.

Remarque : si le PX est activé et qu'il n'est pas utilisé dans les deux minutes qui suivent, il passera automatiquement en mode veille pour économiser sa batterie.

Remarque : vous pouvez régler la sensibilité des capteurs de proximité intégrés aux oreillettes qui contrôlent l'activation et la mise en veille de votre casque dans l'application casque.

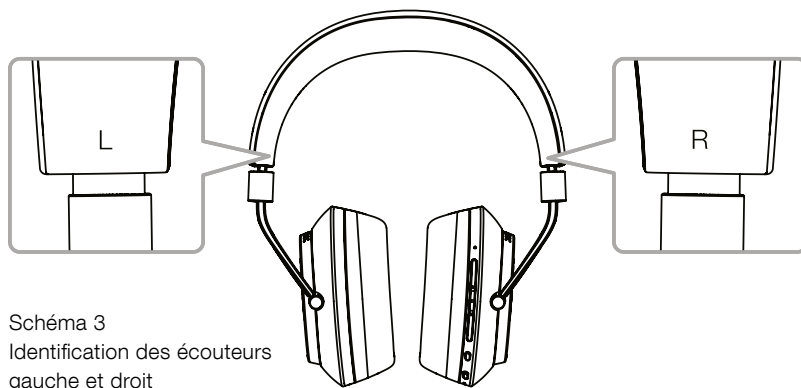


Schéma 3
Identification des écouteurs gauche et droit

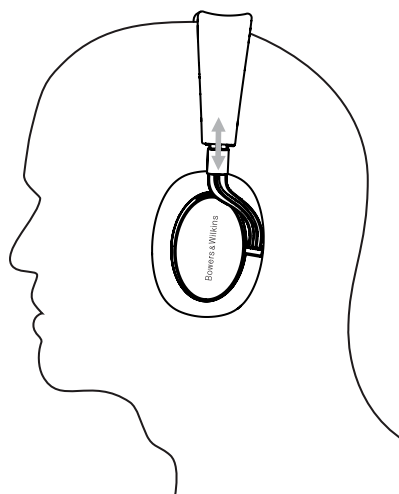


Schéma 4
Ajustement des écouteurs

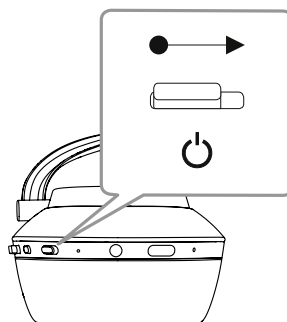


Schéma 5
Mise en marche

6. Jumelage Bluetooth de votre PX

Pour connecter votre PX à un appareil Bluetooth, comme votre téléphone mobile, il est préalablement nécessaire de les « jumeler ». Une fois qu'ils ont été jumelés, la source audio Bluetooth et le PX vont se « rappeler » l'un de l'autre dès qu'ils seront à portée et ainsi capables de se connecter de façon automatique.

Lorsque vous mettez votre PX en marche pour la première fois, il démarre automatiquement en mode de jumelage Bluetooth. Pour jumeler un appareil Bluetooth avec le PX, merci de suivre les instructions ci-dessous.

- Assurez-vous que votre casque est en marche et en mode jumelage. L'indicateur lumineux clignote en bleu.
- Ouvrez le menu, ou la page de configuration Bluetooth du périphérique audio source, et vérifiez que la fonction Bluetooth est active. L'item « PX Bowers & Wilkins » va apparaître dans la liste des périphériques Bluetooth disponibles. Sélectionnez « PX Bowers & Wilkins » et fermez le menu de configuration
- L'indicateur lumineux Bluetooth du PX va alors clignoter pendant la phase de jumelage et passer en bleu continu lorsque le jumelage sera établi. Simultanément, le casque va émettre un message sonore pour confirmer le jumelage.
- Une fois que la connexion est établie, assurez vous que le PX est bien sélectionné en tant que sortie « haut-parleurs » pour votre source Bluetooth et dans les différentes applications audio. Le flux audio sera alors retranscrit par le PX.

Pour réaliser d'autres jumelages, votre casque devra être basculé manuellement en mode de jumelage Bluetooth. Cette opération est décrite au niveau du Schéma 6.

- Le casque étant en marche, faites glisser et maintenez le bouton combiné mise en marche/Bluetooth pendant deux secondes. L'indicateur lumineux va clignoter en bleu, le casque va émettre un message sonore et passer en mode de jumelage Bluetooth.
- De nouveau, rendez vous au niveau de la page de configuration Bluetooth de l'appareil que vous voulez jumeler avec votre casque, et recherchez « PX Bowers & Wilkins » dans la liste. Sélectionnez-le, et les deux appareils seront jumelés.

Remarque : Votre casque va automatiquement sortir du mode de jumelage Bluetooth si aucun appareil n'est jumelé dans les cinq minutes.

Remarque : le jumelage peut le cas échéant échouer : dans ce cas l'indicateur lumineux clignote par cycle de 2 secondes. Réessayez en maintenant les deux appareils plus proches l'un de l'autre pendant le jumelage.

6.1 Remarques générales concernant le jumelage Bluetooth

- Votre casque PX peut être jumelé simultanément à huit appareils Bluetooth. Il est possible de connecter deux périphériques Bluetooth simultanément pour permettre, par exemple, d'écouter de la musique depuis un périphérique tout en prenant des appels téléphoniques depuis un autre appareil.
- Quand votre casque est activé à l'issue d'une période où il était à l'arrêt ou en mode veille, il se reconnectera au dernier périphérique Bluetooth utilisé, si celui-ci est en marche et à portée. Les autres appareils Bluetooth ne se reconnecteront pas automatiquement : vous devrez les sélectionner et les reconnecter manuellement en allant dans leur page de paramètres Bluetooth.
- A tout moment en cas de déconnexion, une simple pression sur le bouton Bluetooth forcera le PX à se reconnecter au périphérique principal s'il est à portée.
- Pour déconnecter une source Bluetooth de votre casque PX, appuyez deux fois rapidement sur le bouton Bluetooth. Cela déconnectera tous les appareils Bluetooth. Le casque émet un message sonore quand la liaison Bluetooth est interrompue.

- La mémoire contenant la liste des appareils jumelés au PX peut être effacée en pressant simultanément les touches Bluetooth et Volume – pendant deux secondes. L'indicateur va clignoter, et votre casque va redémarrer.

7. Commandes audio Bluetooth

Les touches Lecture/Pause, Volume + et Volume – de votre PX permettent d'effectuer les commandes audio :

- Pour augmenter le volume maintenez appuyé le bouton Vol +.
- Pour diminuer le volume maintenez appuyé le bouton Vol –.
- Pour lire ou pour mettre en pause un flux audio appuyez puis relâchez le bouton Lecture/Pause.
- Pour choisir la piste suivante appuyez deux fois rapidement sur le bouton Lecture/Pause.
- Pour choisir la piste précédente appuyez trois fois rapidement sur le bouton Lecture/Pause.

8. Fonctions d'écoutes avancées (Real World Listening)

L'annulation de bruit avec Filtre d'Environnement sera activée en appuyant sur le touche Filtre d'Environnement située sur le côté de l'écouteur droit. Le Filtre d'Environnement est inactif par défaut. Trois types de filtres d'environnement sont disponibles, permettant d'ajuster les caractéristiques de l'annulation de bruit en fonction du type d'espace environnant. Ils pourront être sélectionnés dans l'application Headphones (Casque). Le bouton on/off, situé au niveau de l'oreillette droite permet de sélectionner le dernier mode d'annulation de bruit utilisé.

La fonction de Filtrage des Voix Externes (Voice Pass-through) permet à certains sons extérieurs, tels qu'une conversation proche ou des annonces de sécurité, d'être entendus sans qu'il soit nécessaire de retirer votre casque. Le Filtrage des Voix Externes sera sélectionné dans l'application Headphones (Casque).

Remarque : Les fonctions de Filtrages d'Environnement ou des Voix Externes ne requièrent pas la présence d'un signal audio pour fonctionner. Si le casque diffuse un signal audio, la perception de la fonction Voice Pass-through va dépendre dans une certaine mesure de la nature du flux audio et du niveau de volume.

Remarque : les branches de lunettes épaisses qui déforment vos oreilles peuvent perturber les performances du Filtre d'Environnement. De même, la présence de cheveux entre vos oreilles et les écouteurs du casque peut compromettre le bon fonctionnement des capteurs de proximité.

9. Utilisation avec un téléphone portable

Votre casque PX peut être utilisé avec un téléphone portable Bluetooth pour passer et recevoir des appels téléphoniques.

- Pour répondre à un appel téléphonique, appuyez puis relâchez le bouton Lecture/Pause.
- Pour rejeter un appel téléphonique, maintenez appuyé le bouton Lecture/Pause pendant 2 secondes.
- Pour terminer un appel téléphonique, appuyez puis relâchez le bouton Lecture/Pause.
- Le flux audio Bluetooth entrant est mis automatiquement sur pause quand un appel téléphonique est reçu. Il redémarrera quand l'appel sera terminé.

Remarque : les fonctions téléphone ne sont opérationnelles que lorsque le casque est connecté en Bluetooth.

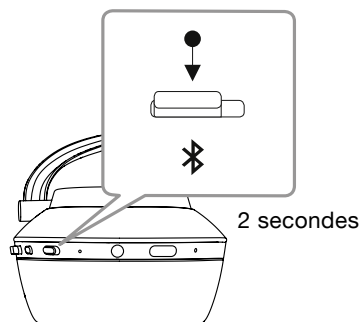


Schéma 6
Activation manuelle du mode de jumelage Bluetooth

10. Connexion filaire

En plus de pouvoir fonctionner sans fil, votre casque PX peut être relié à une source audio par l'intermédiaire des câbles jack audio et USB fournis.

La connexion audio jack sera utile notamment quand le casque est utilisé à bord d'un avion ou avec une source audio non Bluetooth comme un système hi-fi traditionnel.

Remarque : votre casque PX nécessite d'être chargé et d'être mis en marche afin d'être utilisé avec le câble jack.

La connexion USB permet à votre casque PX de fonctionner comme un périphérique audio USB lorsqu'il est connecté à un ordinateur approprié.

Remarque : les câbles jack et USB peuvent être branchés simultanément. Vous pourrez ainsi recharger votre casque en USB tout en écoutant un flux audio par le câble jack.

La connexion d'un câble audio jack ainsi que le fonctionnement de votre casque PX lorsqu'il est connecté via son entrée jack sont décrits dans les paragraphes suivants :

- Prenez une extrémité du câble jack et insérez-le dans la prise située dans la partie basse de l'oreillette droite. Assurez-vous que la prise est bien branchée. Connectez l'autre extrémité du câble à la sortie casque de l'appareil audio source.
- Les boutons de volume et de lecture/pause de votre casque ne fonctionneront pas quand celui-ci est connecté avec un câble audio jack.
- La connexion d'un câble jack va automatiquement interrompre la lecture audio par Bluetooth. Pour relancer l'écoute en Bluetooth, le câble jack audio devra être débranché de l'oreillette droite de votre casque.

La connexion d'un câble USB ainsi que le fonctionnement de votre casque PX lorsqu'il est connecté via son entrée USB sont décrits dans les paragraphes suivants :

- Déconnectez tous les appareils Bluetooth en appuyant deux fois rapidement sur le bouton Bluetooth de l'oreillette droite.

Remarque : la connexion Bluetooth doit être coupée pour permettre la lecture audio par USB.

- Branchez le connecteur mini USB dans la prise située sous l'oreillette droite. Branchez l'autre extrémité du câble USB dans la prise USB standard de l'ordinateur. Si la prise USB de l'ordinateur est alimentée, votre casque va immédiatement commencer à charger.
- Choisissez votre casque PX comme périphérique USB de sortie audio dans le panneau de configuration audio de votre ordinateur. Les flux audio sélectionnés dans les applications de lecture musicales de votre ordinateur seront désormais reproduits par votre casque PX.
- Les commandes de volume et de lecture/pause de votre casque fonctionneront normalement lors de l'écoute d'un flux audio USB.
- Pour rétablir les fonctions Bluetooth de votre casque, appuyez sur le bouton Bluetooth. Le casque tentera alors de se reconnecter au dernier périphérique connecté.

11. Mise à jour du micro-logiciel (firmware) de votre casque

Votre casque PX fera occasionnellement l'objet de mises à jour firmware permettant l'amélioration de ses performances et l'ajout de nouvelles fonctionnalités.

Quand une mise à jour firmware est disponible, l'application Casque affiche une notification. Validez cette notification et lancez la procédure de mise à jour.

Remarque : votre casque et votre appareil mobile devront rester en marche et proches l'un de l'autre pendant la phase de mise à jour. Il est important également que le niveau de charge de la batterie de votre casque soit suffisant pour que la mise à jour se réalise correctement jusqu'à son terme. L'application vous avertira si le niveau de charge de la batterie n'est pas suffisant pour faire la mise à jour.

12. Redémarrage et réinitialisation de votre casque

Votre casque PX peut être réinitialisé à ces paramètres par défaut en utilisant l'option Factory Reset (Réinitialisation Usine) dans l'application Casque. Il peut aussi être redémarré en enfonçant le bouton de redémarrage situé sous l'écouteur droit. L'emplacement du bouton de redémarrage est illustré sur le Schéma 1.

Pour effectuer un redémarrage, servez-vous de la tige d'un trombone et insérez-la dans le trou de redémarrage pendant deux secondes. Le casque va alors s'éteindre pendant la phase de redémarrage. Remettez le en marche pour terminer la procédure de redémarrage.

Remarque : le redémarrage par enfoncement du bouton de redémarrage n'efface pas la mémoire des appareils jumelés.

13. Entretien de votre casque PX

Nettoyer votre casque PX en utilisant un chiffon humide et en tamponnant légèrement les parties en cuir jusqu'à ce qu'elles soient propres. Ne pas frotter sur le cuir avec le chiffon. Ne pas utiliser de détergents, de produit de nettoyage ou de cirage pour le cuir qui pourraient endommager votre casque.

Remarque : les coussins d'oreille en cuir de votre casque PX sont fixés magnétiquement et peuvent être enlevés en les tirant légèrement du corps des oreillettes.

Schéma 7 Signification des couleurs de l'indicateur lumineux

Couleur	Signification
Vert (clignotant)	En charge
Vert	Casque en marche, charge batterie > 50 %
Jaune	Casque en marche, charge batterie > 30 %
Rouge	Casque en marche, charge batterie < 30 %
Rouge (clignot. lent)	Niveau de charge insuffisant pour le fonctionnement
Rouge (clignot. rapide)	Casque éteint
Bleu	Connexion Bluetooth établie
Bleu (clignot. rapide)	Mode de jumelage Bluetooth
Bleu (clignot. lent)	Jumelage Bluetooth en cours
Bleu (clignot. répété)	Echec du jumelage Bluetooth
Blanc	Filter d'Environnement actif

Schéma 8 Fonctions des boutons

Bouton	Action	Fonction
On/Off/Bluetooth	Coulisser	Mise en marche
	Coulisser et maintenir	Arrêt
	Appuyer et maintenir	Passer en mode jumelage
	Appuyer	Connexion au dernier appareil Bluetooth
On/Off/Bluetooth et Volume -	Appuyer deux fois	Déconnexion de tous les appareils Bluetooth
	Appuyer et maintenir les deux	Effacer la mémoire de tous les appareils Bluetooth
Filter d'Environnement	Appuyer	Activer ou désactiver le dernier Filter d'Environnement sélectionné dans l'application
Volume +	Appuyer	Augmenter le volume
Volume -	Appuyer	Diminuer le volume
Lecture/Pause	Appuyer	Ecoute ou pause du flux audio
	Appuyer 2x	Ecoute de la piste suivante
	Appuyer 3x	Ecoute de la piste précédente
<i>Remarque : Les boutons de volume et de lecture/pause de votre casque ne fonctionnent pas quand celui-ci est connecté avec un câble audio jack.</i>		
Lecture/Pause	Appuyer	Répondre ou terminer un appel téléphonique
	Appuyer et maintenir	Rejeter un appel téléphonique
<i>Remarque : les fonctions téléphone ne sont opérationnelles que lorsque le casque est connecté en Bluetooth.</i>		
Lecture/pause et Volume +	Appuyer en même temps	Activer/désactiver le signal audio

Spécifications

Caractéristiques techniques	<p>Annulation de bruit adaptatif et filtrage des voix extérieures</p> <p>Bluetooth audio – Bluetooth 4.1 avec aptX-HD</p> <p>Détection intelligente pour la lecture/pause/Marche/Arrêt</p> <p>Chargement et interface audio USB-C</p> <p>Batterie rechargeable lithium</p> <p>Coussins d'oreilles à mémoire de forme en cuir souple</p> <p>Qualités acoustiques exceptionnelles</p> <p>Qualité de fabrication et matériaux premium</p> <p>Application dédiée pour smartphone pour une écoute personnalisée</p> <p>Conception pliable</p>
Codecs Bluetooth	<p>aptX-HD</p> <p>AAC</p> <p>SBC</p>
Profils Bluetooth	<p>A2DP v1.3</p> <p>AVRCP v1.6</p> <p>HFP v1.6</p> <p>HSP v1.2</p> <p>GAP</p> <p>SDAP</p> <p>DIP</p>
Haut-parleurs	2x ø40mm (1.6 pouce) large bande
Gamme de fréquence	10Hz à 20kHz
Impédance	22 ohms
Distorsion (THD)	<0.3% (1kHz/10mW)
Rendement	111dB/V à 1kHz
Autonomie	22 heures /BT/ANC, 29 heures BT uniquement, 33 heures en filaire avec ANC, 50 heures en filaire uniquement
Entrées	Bluetooth, jack stéréo 3.5 mm, audio USB-C
Accessoires fournis	Câble audio 1.2m, câble USB-A vers USB-C 1.2m ; housse de transport
Poids net	335 g

Willkommen bei Bowers & Wilkins und dem PX Wireless-Kopfhörer.

Vielen Dank, dass Sie sich für Bowers & Wilkins entschieden haben. Als John Bowers unser Unternehmen gründete, war er überzeugt, dass ein innovatives Design sowie beste Ingenieurskunst und zukunftsweisende Technologien der Schlüssel für ein einzigartiges Klangerlebnis in Ihrem Zuhause sind. Diese Überzeugung teilen wir noch heute, sodass diese nach wie vor die Inspiration und die Grundlage für alle von uns entwickelten Produkte bildet.

Der PX ist ein hochwertiger Over-Ear-Kopfhörer, der den Hörer mit bester Klangqualität, kabelloser Freiheit und dank adaptiver Geräuschunterdrückung mit einem erstklassigen Nutzererlebnis verwöhnt. In dieser Bedienungsanleitung erfahren Sie alles, was Sie wissen müssen, um Ihren PX-Kopfhörer optimal nutzen zu können.

Die Musik kann via Bluetooth kabellos von Ihrem Handy, Tablet oder Computer gestreamt werden. Es ist aber auch möglich, eine kabelgebundene Verbindung mit einem passenden Kopfhörerausgang herzustellen. Zudem kann der PX für die Musikwiedergabe über USB mit einem Computer verbunden und zum kabellosen Telefonieren genutzt werden.

Zu den praxisnahen Audiolösungen des PX-Kopfhörers gehören Features wie Umgebungsfilter und Voice-Pass-Through. Die Nutzung der adaptiven Geräuschunterdrückung ist optional und kann ganz einfach über eine Taste am Kopfhörer aktiviert bzw. deaktiviert werden. Dank des Voice-Pass-Through-Features sind externe Geräusche, wie Gespräche oder Sicherheitseinweisungen, deutlich hörbar, sodass Sie den Kopfhörer nicht abnehmen müssen. Umgebungsfilter und Voice-Pass-Through sind über die IOS- und Android-Kopfhörer-App einstellbar. Via App können darüber hinaus noch weitere Einstellungen vorgenommen werden.

In den PX-Kopfhörer ist ein Akku integriert. Voll aufgeladen kann seine Laufzeit abhängig von der Bluetooth-Nutzung, dem Einsatz des Umgebungsfilters und des Voice-Pass-Through-Features bei durchschnittlichen Lautstärkepegeln bis zu 22 Stunden betragen.

1. Lieferumfang des PX

- i. PX Wireless-Kopfhörer
- ii. USB-Ladekabel
- iii. Audio-Klinkenkabel
- iv. Schutztasche
- v. Literatur

Umweltinformation

Dieses Produkt entspricht internationalen Richtlinien. Dazu gehören unter anderem die Beschränkung der Verwendung bestimmter gefährlicher Stoffe in Elektro- und Elektronikgeräten (Restriction of Hazardous Substances (kurz RoHS genannt)), die Registrierung, Bewertung, Zulassung und Beschränkung chemischer Stoffe (Registration, Evaluation, Authorisation and Restriction of CHemicals, kurz REACH) und die Entsorgung von Elektro- und Elektronik-Altgeräten (Waste Electrical and Electronic Equipment (WEEE)). Setzen Sie sich hinsichtlich des Recyclings bzw. der Entsorgung dieses Produktes mit der örtlichen Abfallentsorgung in Verbindung.

2. Die wesentlichen Features

Einmal über den Power-Schiebeschalter an der rechten Kopfhörerseite eingeschaltet, kann Ihr PX-Kopfhörer über die Wiedergabe/Pause-Taste und die Lautstärketasten, die sich ebenfalls an der rechten Kopfhörerseite befinden, gesteuert werden. Auch über ein verbundenes Bluetooth- oder USB-Gerät lassen sich Lautstärke und Musikwiedergabe steuern.

Eine neben der Bluetooth-Taste befindliche LED zeigt den Verbindungsstatus und den Ladezustand des Akkus an. Der Kopfhörer gibt für einige Steuersignale und Ereignisse auch hörbare Signale aus.

Hinweis: Die verschiedenen Farben der LED sind in Abbildung 7 aufgeführt.

Hinweis: Die hörbaren Signale können aktiviert und deaktiviert werden, indem Sie gleichzeitig die Tasten Wiedergabe/Pause und Lautstärke + drücken.

Eine USB-Buchse und eine Buchse für den Anschluss des Audio-Klinkenkabels befinden sich an der Unterseite der rechten Kopfhörerseite. An dieser Seite befindet sich unter der Hörmuschel für einen Neustart auch eine versenkte Restart-Taste.

Hinweis: In Kapitel 10 erhalten Sie Hinweise zur Nutzung des Audio-Klinken- und des USB-Kabels.

In beide Kopfhörerseiten des PX sind Näherungssensoren integriert. Daher schaltet er zwei Minuten nach dem Abnehmen des Kopfhörers in den Standby-Modus, die Verbindung zu gekoppelten Geräten wird entfernt. Wird der Kopfhörer wieder richtig aufgesetzt, schaltet er automatisch vom Standby- in den Betriebsmodus und es wird eine Verbindung mit dem zuletzt gekoppelten Bluetooth-Gerät hergestellt.

Über eine neben dem Power/Bluetooth-Schalter liegende Drucktaste kann der Umgebungsfilter aktiviert und deaktiviert werden. Ist er aktiviert, funktioniert er an allen drei Eingängen: Bluetooth, USB und Audio-Klinkenbuchse.

Hinweis: Die Tastenfunktionen sind in Abbildung 8 angegeben.

Die Kopfhörer-App von Bowers & Wilkins bietet erweiterte Konfigurationsmöglichkeiten und Steuerfunktionen (einschließlich Umgebungsfilter und Voice-Pass-Through, Einstellungs- und Moduswahl). Auch die Empfindlichkeit der Näherungssensoren kann in der App eingestellt werden. Diese App steht für iOS- und Android-Geräte kostenlos zum Download bereit.

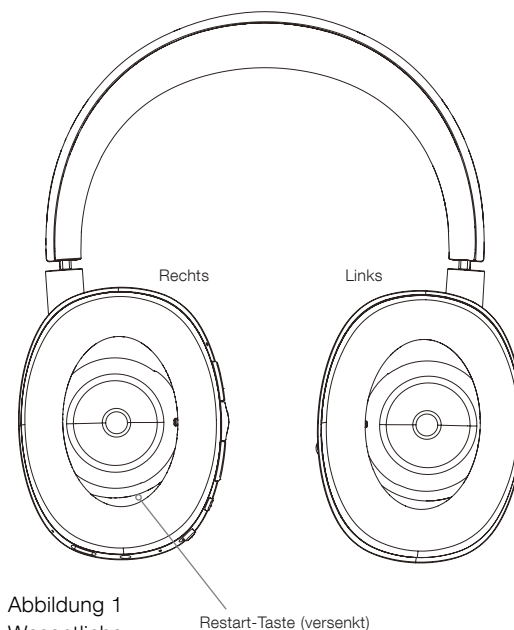
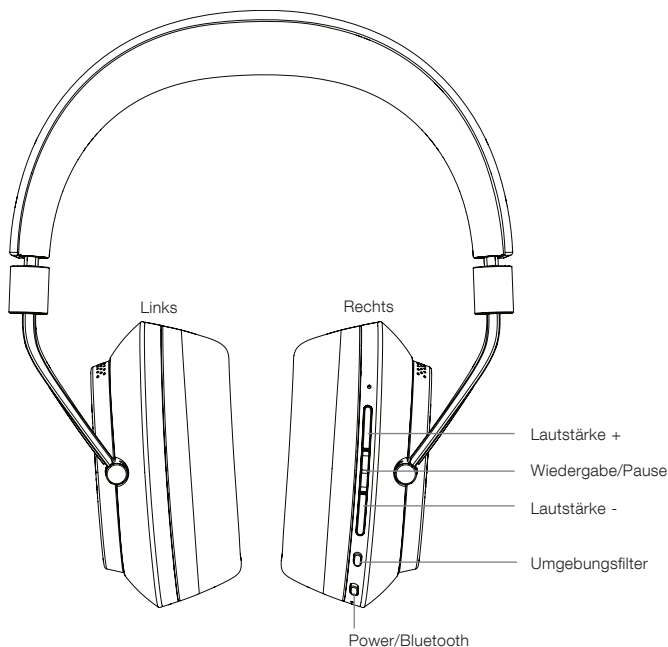


Abbildung 1
Wesentliche
Features

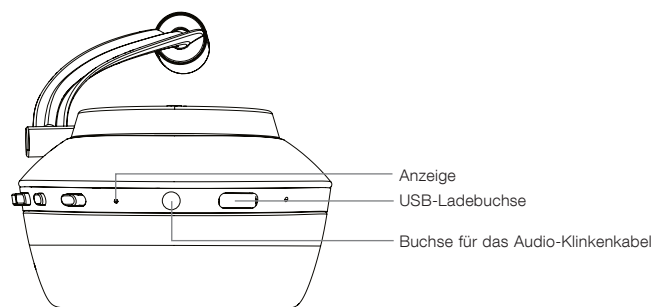


Abbildung 2
Ansicht von unten

3. Aufladen des Akkus

Der PX-Kopfhörer wird im teilweise geladenen Zustand ausgeliefert und kann daher sofort in Betrieb genommen werden. Es hat sich jedoch bewährt, den Akku vor der ersten Inbetriebnahme vollständig aufzuladen. Bis zum vollständigen Aufladen des Akkus dauert es ca. 3 Stunden. Sie können das Gerät jedoch auch während des Ladevorganges nutzen.

Hinweis: Die Leuchtanzeige zeigt beim Einschalten des PX-Kopfhörers, in welchem Ladezustand sich der Akku befindet. Grün bedeutet, dass der Akku mehr als 50 % geladen ist. Leuchtet sie gelb, so ist der Akku zwischen 50 und 30 % geladen. Rot zeigt an, dass der Akku weniger als 30 % geladen ist. Blinkt die Leuchtanzeige rot, so ist der Ladezustand so niedrig, dass der Kopfhörer nicht genutzt werden kann. Die verschiedenen Farben der LED werden in Abbildung 7 beschrieben.

Gehen Sie beim Aufladen des Kopfhörer-Akkus folgendermaßen vor:

- Schließen Sie den Kopfhörer mithilfe des beiliegenden USB-Ladekabels an eine stromführende USB-Buchse (die USB-Buchse eines Computers, einen USB-Steckdosenadapter oder ein Kfz-Ladegerät) an.
- Während des Ladens blinkt die Leuchtanzeige grün. Je mehr der Akku geladen ist, desto länger leuchtet die LED während des Blinkens. Ist der Akku vollständig geladen, leuchtet die LED dauerhaft.

4. Einsatz Ihres Kopfhörers

Damit Sie das volle Potenzial Ihres Kopfhörers ausschöpfen können, sollten Sie die folgenden Hinweise beachten. Am Kopfhörerbügel befinden sich weiter unten (innen) Links-/Rechts-Markierungen (siehe Abbildung 3), an denen Sie sich beim Aufsetzen orientieren können.

Setzen Sie den Kopfhörer auf. Stellen Sie nun den Bügel so ein, dass die Hörmuscheln bequem auf Ihren Ohren aufliegen (siehe Abbildung 4). Stellen Sie sicher, dass die Hörmuscheln nicht nach oben gezogen werden, da dies den Tragekomfort beeinträchtigt.

Wir empfehlen, den Kopfhörer in seiner Tasche aufzubewahren, wenn er nicht benutzt wird.

Hinweis: Durch das Tragen einer Brille kann beim Kopfhörer die Performance des Umgebungsfilters beeinträchtigt werden. Ähnliches gilt für die Näherungssensoren, wenn Haare zwischen Ihren Ohren und den Hörmuscheln eingeklemmt sind.

5. Ein- und Ausschalten

Möchten Sie Ihren PX-Kopfhörer einschalten, so schieben Sie den Power-Schalter seitwärts (siehe Abbildung 5).

Ihr PX-Kopfhörer ist so konzipiert, dass er sich einschaltet, wenn er richtig auf dem Kopf sitzt. Wird er nicht benutzt, schaltet er in den Standby-Modus. Die Bluetooth-Verbindung wird getrennt. Aus diesem Grund muss er in der Regel nicht ausgeschaltet werden. Sollten Sie ihn dennoch ausschalten wollen, so schieben Sie den Power-Schalter und halten ihn für eine Sekunde oder zwei Sekunden. Die LED blinkt rot und zeigt damit an, dass er sich ausschaltet.

Der Kopfhörer gibt hörbare Signale aus, wenn er ein- und ausgeschaltet wird.

Hinweis: Ist der eingeschaltete PX länger als zwei Minuten inaktiv, so schaltet er zur Energieeinsparung in den Standby-Modus.

Hinweis: Die Empfindlichkeit der Näherungssensoren, die dafür sorgen, dass der Kopfhörer in den Betriebs- und in den Standby-Modus geschaltet wird, kann mithilfe der Kopfhörer-App eingestellt werden.



Abbildung 3
Links-/Rechts-Markierung

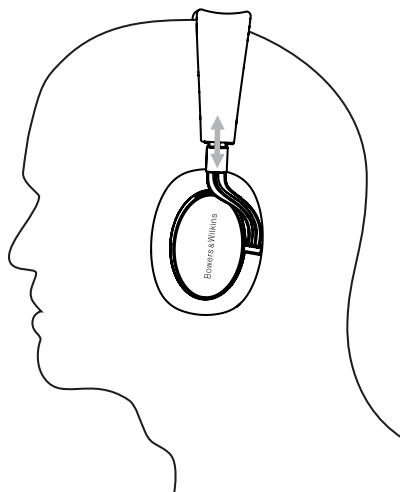


Abbildung 4
Aufsetzen des Kopfhörers

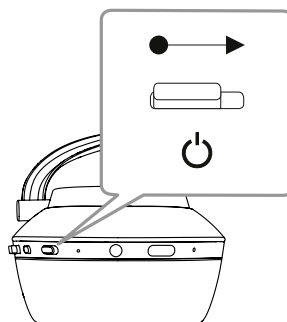


Abbildung 5
Einschalten

6. Bluetooth-Kopplung

Um den PX-Kopfhörer mit einem Bluetooth-fähigen Gerät (z. B. mit Ihrem Handy) zu verbinden, muss er mit diesem Gerät „gekoppelt“ werden. Nach dem Koppeln „erinnern“ sich das Bluetooth-Gerät und der Kopfhörer aneinander und sind in der Lage, sich miteinander zu verbinden, sobald sie sich in Reichweite befinden. Dazu muss der Kopplungsvorgang nicht jedes Mal wiederholt werden.

Schalten Sie den PX-Kopfhörer zum ersten Mal ein, so beginnt er mit dem Bluetooth-Kopplungsmodus. Führen Sie zur Kopplung eines Gerätes diese Schritte durch:

- Stellen Sie sicher, dass der Kopfhörer eingeschaltet ist und sich im Kopplungsmodus befindet. Die LED blinkt blau.
- Öffnen Sie die Bluetooth-Einstellungen an dem Gerät, das gekoppelt werden soll. Als zur Verfügung stehendes Gerät erscheint „PX Bowers & Wilkins“. Wählen Sie nun „PX Bowers & Wilkins“ und schließen Sie die Bluetooth-Einstellungen.
- Die Bluetooth-Anzeige blinkt während des Kopplungsvorganges blau und beginnt blau zu leuchten, wenn der Kopplungsvorgang abgeschlossen ist. Der Kopfhörer gibt dann ein hörbares Signal aus.
- Stellen Sie nach dem Koppeln sicher, dass der Kopfhörer in den Audio-Apps als Wiedergabegerät ausgewählt wird.

Für anschließende Kopplungsvorgänge muss Ihr Kopfhörer manuell in den Kopplungsmodus geschaltet werden (siehe Abbildung 6).

- Drücken Sie den kombinierten Power/Bluetooth-Schalter bei eingeschaltetem Kopfhörer direkt nach innen und halten Sie sie zwei Sekunden gedrückt. Die LED blinkt blau und der Kopfhörer gibt ein hörbares Signal aus, wenn er in den Kopplungsmodus schaltet.
- Rufen Sie noch einmal den Bluetooth-Setup-Bildschirm des Gerätes, mit dem Sie den Kopfhörer koppeln möchten, auf und suchen Sie in der Liste nach „PX Bowers & Wilkins“. Tippen Sie darauf und die beiden Geräte werden gekoppelt.

Hinweis: Ihr Kopfhörer verlässt den Bluetooth-Kopplungsmodus automatisch, wenn fünf Minuten lang keine Kopplung mit einem Gerät stattgefunden hat.

Hinweis: Manchmal schlägt der Kopplungsvorgang fehl. In diesem Fall blinkt die Kopfhörer-LED alle 2 Sekunden einmal blau. Verringern Sie den Abstand zwischen den Geräten und versuchen Sie es noch einmal.

6.1 Hinweise zur Bluetooth-Kopplung

- Ihr PX-Kopfhörer erinnert sich an bis zu acht gekoppelte Bluetooth-Geräte. Zwei Geräte können gleichzeitig verbunden werden. So kann beispielsweise die Musik von einem Gerät gespielt werden, während von einem anderen Anruf angenommen werden.
- Ist Ihr Kopfhörer ausgeschaltet oder befindet er sich im Standby-Modus, so verbindet er sich nach dem Einschalten mit dem zuletzt gekoppelten Gerät, wenn sich dieses in Reichweite befindet und eingeschaltet ist. Mit anderen gekoppelten Geräten wird die Verbindung nicht automatisch hergestellt. Dazu müssen Sie die Bluetooth-Einstellungen nutzen.
- Nach Trennen einer Verbindung wird durch Drücken der Bluetooth-Taste des Kopfhörers, falls möglich, zu jeder Zeit eine Verbindung mit dem zuletzt verbundenen Gerät hergestellt. Es wird ein Ton ausgegeben.
- Um eine Bluetooth-Quelle von Ihrem PX-Kopfhörer zu trennen, drücken Sie zweimal kurz hintereinander die Bluetooth-Taste. Dadurch werden alle via Bluetooth verbundenen Geräte getrennt. Beim Trennen von Bluetooth gibt der Kopfhörer ein hörbares Signal aus.

- Der mit dem Kopfhörer gekoppelte Gerätespeicher kann gelöscht werden, indem Sie die Tasten Bluetooth und Lautstärke - zwei Sekunden lang gleichzeitig gedrückt halten. Die LED blinkt und Ihr Kopfhörer startet neu.

7. Steuerung der Bluetooth-Wiedergabe

Die Tasten Wiedergabe/Pause, Lautstärke + und - können beim PX zur Steuerung der Audiowiedergabe genutzt werden:

- Drücken Sie zum Erhöhen der Lautstärke die Taste Lautstärke +.
- Drücken Sie zur Reduzierung der Lautstärke die Taste Lautstärke -.
- Drücken Sie zum Umschalten zwischen Musikwiedergabe und Pause die Wiedergabe/Pause-Taste.
- Drücken Sie zweimal kurz hintereinander die Wiedergabe/Pause-Taste, um den nächsten Titel auszuwählen.
- Drücken Sie dreimal kurz hintereinander die Wiedergabe/Pause-Taste, um den vorherigen Titel auszuwählen.

8. Praxisnahe Audiolösungen

Um den Umgebungsfilter für die Geräuschunterdrückung zu aktivieren, drücken Sie die Umgebungsfilter-Taste auf der rechten Kopfhörerseite. Bei Lieferung ist der Umgebungsfilter deaktiviert. Für diese Funktion stehen drei Profile zur Verfügung, die an die Erfordernisse verschiedener Umgebungen angepasst sind. Diese Profile können über die Kopfhörer-App von Bowers & Wilkins ausgewählt werden. Über die Umgebungsfilter-Ein/Aus-Taste können Sie das zuletzt genutzte Profil aufrufen.

Dank der Voice-Pass-Through-Funktion kann der Nutzer ausgewählte Geräusche (z. B. Gespräche oder Sicherheitsansagen im Flugzeug) hören, ohne den Kopfhörer abnehmen zu müssen. Auch diese Funktion können Sie mithilfe der Bowers & Wilkins-Kopfhörer-App auswählen.

Hinweis: Um die Umgebungsfilter- und Voice-Pass-Through-Funktionen nutzen zu können, ist es nicht erforderlich, dass in dem Moment über die Kopfhörer ein Audiosignal wiedergegeben wird. Hören Sie über den Kopfhörer Musik, hängt die Hörbarkeit der ausgewählten Geräusche stets bis zu einem gewissen Grad von deren Eigenschaften und dem Lautstärkepegel ab.

Hinweis: Durch das Tragen einer Brille kann beim Kopfhörer die Performance des Umgebungsfilters beeinträchtigt werden. Ähnliches gilt für die Näherungssensoren, wenn Haare zwischen Ihren Ohren und den Hörmuscheln eingeklemmt sind.

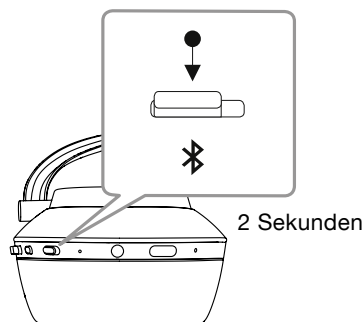


Abbildung 6
Manuell in den Bluetooth-Kopplungsmodus schalten

9. Nutzung mit einem Handy

Sie können Ihren PX-Kopfhörer mit einem via Bluetooth verbundenen Handy nutzen, um Telefonate zu führen:

- Drücken Sie die Wiedergabe/Pause-Taste und lassen Sie sie wieder los, wenn Sie ein Gespräch annehmen möchten.
- Drücken Sie die Wiedergabe/Pause-Taste zwei Sekunden lang, um einen Anruf abzulehnen.
- Drücken Sie die Wiedergabe/Pause-Taste und lassen Sie sie wieder los, wenn Sie ein Gespräch beenden möchten.

Nutzen Sie für die Wiedergabe Bluetooth-Streaming und nehmen Sie währenddessen ein Gespräch an, so wird die Wiedergabe unterbrochen und erst wieder fortgesetzt, wenn das Gespräch beendet ist.

Hinweis: Die Telefonfunktionen können nur genutzt werden, wenn Ihr Kopfhörer via Bluetooth verbunden ist.

10. Kabelgebundene Verbindung

Ihr PX-Kopfhörer kann nicht nur kabellos betrieben werden, sondern auch über das beiliegende Audio-Klinkenkabel und das ebenfalls zum Lieferumfang gehörende USB-Kabel.

Die Nutzung des Audio-Klinkenkabels ist sinnvoll, wenn der Kopfhörer an Bord eines Flugzeugs genutzt wird oder mit einer Quelle verbunden werden soll, die nicht Bluetooth-fähig ist (beispielsweise mit einem herkömmlichen HiFi-System).

Hinweis: Soll die Audiowiedergabe mithilfe eines Audio-Klinkenkabels erfolgen, muss Ihr PX-Kopfhörer geladen und eingeschaltet sein.

Ihr PX-Kopfhörer kann als USB-Wiedergabegerät genutzt werden, wenn er per USB-Anschluss mit einem passenden Computer verbunden ist.

Hinweis: Das USB- und das Klinkenkabel können gleichzeitig angeschlossen werden, sodass der Akku via USB geladen werden kann, während der Klinkeneingang des Kopfhörers genutzt wird.

In den folgenden Abschnitten wird beschrieben, wie der PX-Kopfhörer sich verhält, wenn ein Audio-Klinkenkabel angeschlossen und der Kopfhörer-Klinkeneingang genutzt wird:

- Nehmen Sie ein Ende des Klinkenkabels und führen Sie dessen Stecker in die Buchse im unteren Bereich der rechten Kopfhörerseite ein. Stellen Sie sicher, dass der Stecker vollständig in der Buchse sitzt. Schließen Sie das andere Ende des Kabels an die Kopfhörerbuchse eines Audiowiedergabegerätes an.
- Wird die Verbindung über ein Klinkenkabel hergestellt, funktionieren die Lautstärketasten und die Wiedergabe/Pause-Taste nicht.
- Durch das Anschließen eines Klinkenkabels unterbricht der PX-Kopfhörer automatisch das Bluetooth-Streaming. Um die Bluetooth-Verbindung wiederherzustellen, muss das Klinkenkabel von der rechten Kopfhörerseite wieder getrennt werden.

In den folgenden Abschnitten wird beschrieben, wie der PX-Kopfhörer sich verhält, wenn das USB-Kabel angeschlossen und der USB-Eingang genutzt wird:

- Trennen Sie verbundene Bluetooth-Geräte, indem Sie zweimal kurz hintereinander die Bluetooth-Taste auf der rechten Kopfhörerseite drücken.

Hinweis: Soll die Audiowiedergabe via USB erfolgen, muss die Bluetooth-Verbindung getrennt werden.

- Führen Sie den kleinen USB-Stecker in die Buchse an der Unterseite der rechten Kopfhörerseite ein. Stecken Sie den größeren USB-Stecker in die USB-Buchse eines Computers. Führt die USB-Buchse des Computers Strom, wird sofort damit begonnen, den Akku des Kopfhörers aufzuladen.
- Wählen Sie den PX-Kopfhörer in der Systemsteuerung Ihres Computers als Audio-Wiedergabegerät aus. Die Musik, die über ein Programm auf dem Computer ausgewählt wird, kann jetzt über Ihren PX-Kopfhörer wiedergegeben werden.
- Wird die Verbindung über ein USB-Kabel hergestellt, funktionieren die Lautstärketasten und die Wiedergabe/Pause-Taste des Kopfhörers.
- Um die Bluetooth-Funktionen des Kopfhörers wiederherzustellen, drücken Sie die Bluetooth-Taste. Der Kopfhörer wird versuchen, eine Verbindung zu dem zuletzt verbundenen Gerät herzustellen.

11. Firmware-Update des Kopfhörers

Von Zeit zu Zeit werden für Ihren PX-Kopfhörer zur Verbesserung der Audio-Performance und zum Hinzufügen neuer Features Firmware-Updates veröffentlicht.

Steht ein Firmware-Update zur Verfügung, so erscheint in der App eine Benachrichtigung. Tippen Sie auf diese Benachrichtigung, um mit dem Update zu beginnen.

Hinweis: Der Kopfhörer und das Mobilgerät müssen während des Firmware-Updates eingeschaltet bleiben und sich nahe beieinander befinden. Wichtig ist zudem, dass der Akku des Kopfhörers ausreichend geladen ist, um das Firmware-Update erfolgreich durchführen zu können. In der App erscheint eine Benachrichtigung, wenn der Akku nicht genügend geladen ist, um das Firmware-Update fertigzustellen.

12. Reset und Neustart des Kopfhörers

Ihr PX-Kopfhörer kann durch Nutzung der entsprechenden Option in der Kopfhörer-App in die Werksvoreinstellungen zurückgesetzt werden. Zudem ist durch Drücken der versenkten Restart-Taste, die sich auf der rechten Kopfhörerseite befindet, ein Neustart möglich. Diese Taste ist in Abbildung 1 dargestellt.

Verwenden Sie für einen Neustart eine gerade gebogene Büroklammer und halten Sie damit die Restart-Taste für zwei Sekunden gedrückt. Der Kopfhörer schaltet sich während des Neustarts ab. Schalten Sie ihn ein, um den Vorgang des Neustarts abzuschließen.

Hinweis: Durch den Neustart wird der Speicher für die via Bluetooth gekoppelten Geräte nicht gelöscht.

13. Reinigung Ihres PX-Kopfhörers

Reinigen Sie Ihren PX-Kopfhörer, indem Sie ein weiches, angefeuchtetes Tuch nehmen und ihn damit abtupfen, bis der Kopfhörer sauber ist. Reiben Sie dabei nicht auf dem Leder. Verwenden Sie keine Reinigungsmittel oder Lederpolitur, da es hierdurch zu einer Beschädigung des Produktes kommen kann.

Hinweis: Nehmen Sie die magnetisch befestigten Hörmuscheln, falls erforderlich, zum Reinigen vorsichtig ab.

Abbildung 7
LED-Anzeige

Farbe (Aktion)	Beschreibung
Grün (blinkt langsam)	Laden des Akkus
Grün	Kopfhörer an, Akku-Prozentanzeige > 50 %
Gelb	Kopfhörer an, Akku-Prozentanzeige > 30 %
Rot	Kopfhörer an, Akku-Prozentanzeige < 30 %
Rot (blinkt langsam)	Ladezustand des Akkus für den Betrieb des Kopfhörers nicht ausreichend
Rot (blinkt)	Kopfhörer schaltet sich aus
Blau	Bluetooth-Verbindung hergestellt
Blau (blinkt)	Bluetooth-Kopplungsmodus aktiv
Blau (blinkt langsam)	Bluetooth-Kopplung läuft
Blau (blinkt wiederholt)	Bluetooth-Kopplung fehlgeschlagen
Weiß	Umgebungsfilter aktiv

Abbildung 8
Tastenfunktionen

Taste	Tastenbetätigung	Funktion
Ein/Aus/Bluetooth	Schieben	Einschalten
	Schieben und halten	Ausschalten
	Drücken und halten	In den Kopplungsmodus schalten
Ein/Aus/Bluetooth und Lautstärke -	Drücken	Mit dem zuletzt verbundenen Bluetooth-Gerät koppeln
	2 x drücken	Verbindung zu allen Bluetooth-Geräten trennen
Umgebungsfilter	Drücken und beide halten	Bluetooth-Gerätespeicher löschen
Lautstärke +	Drücken	Zuletzt in der App ausgewählte Umgebungsfilter-Einstellung aktivieren oder deaktivieren.
	Drücken	Lautstärke erhöhen
	Drücken	Lautstärke reduzieren
Wiedergabe/Pause	Drücken	Audiowiedergabe starten oder pausieren
	2 x drücken	Den nächsten Titel spielen
	3 x drücken	Den vorherigen Titel spielen
<i>Hinweis: Die Lautstärketasten und die Wiedergabe/Pause-Taste des Kopfhörers funktionieren nicht, wenn eine Verbindung über Klinkenkabel hergestellt ist.</i>		
Wiedergabe/Pause	Drücken	Telefongespräch annehmen oder beenden
	Drücken und halten	Telefongespräch ablehnen
<i>Hinweis: Die Telefonfunktionen sind nur dann aktiv, wenn die Verbindung mit dem Kopfhörer über Bluetooth hergestellt ist.</i>		
Wiedergabe/Pause und Lautstärke +	Beide drücken	Hörbare Signale ein-/ausschalten

Technische Daten

Technische Merkmale	<p>Adaptive Geräuschunterdrückung</p> <p>Bluetooth Audio – Bluetooth 4.1 mit aptX-HD</p> <p>Intelligente Sensoren (Wiedergabe/Pause/Ein/Aus)</p> <p>USB-C-Eingang zum Laden des Akkus und als Audioschnittstelle</p> <p>Lithium-Akku</p> <p>Mit weichem Leder überzogene Ohrpolster mit Memory-Schaum</p> <p>Erstklassige Klangeigenschaften</p> <p>Hochwertige Materialien und hohe Verarbeitungsqualität</p> <p>Companion-App für eine personalisierte Audiowiedergabe</p> <p>Flaches, faltbares Design</p>
Bluetooth-Codex	<p>aptX-HD</p> <p>AAC</p> <p>SBC</p>
Bluetooth-Profil	<p>A2DP V1.3</p> <p>AVRCP V1.6</p> <p>HFP V1.6</p> <p>HSP V1.2</p> <p>GAP</p> <p>SDAP</p> <p>DIP</p>
Chassis	2 x 40 mm (Breitband)
Frequenzumfang	10 Hz – 20 kHz
Eingangsimpedanz	22 Ohm
Verzerrung (THD)	<0,3 % (1 kHz/10 mW)
Empfindlichkeit	111 dB/V bei 1 kHz
Akkulaufzeit	22 Stunden BT/ANC, 29 Stunden nur BT, 33 Stunden verkabelt mit ANC, 50 Stunden nur verkabelt
Eingänge	Bluetooth, Klinkebuchse (Stereo, 3,5 mm), USB-C-Anschluss
Zubehör	1,2 m langes Stereo-Klinkenkabel, 1,2 m langes USB-A-auf-USB-C-Kabel, Schutztasche
Gewicht	335 g

Bienvenido a Bowers & Wilkins y a los Auriculares PX Wireless

Gracias por elegir Bowers & Wilkins. Cuando John Bowers fundó nuestra compañía, lo hizo con la firme creencia de que el diseño imaginativo, la ingeniería innovadora y la tecnología avanzada eran las claves que podrían desbloquear el disfrute del sonido en el hogar. Una creencia que seguimos compartiendo y que inspira cada producto que diseñamos.

Los PX son unos auriculares supraaurales de altas prestaciones que proporcionan la mejor experiencia posible en audio personal combinada con la comodidad del funcionamiento sin cables y la serenidad aportada por la cancelación de ruido. Este manual le explicará todo lo que usted necesita saber para sacar el máximo provecho de sus auriculares PX.

Los auriculares PX pueden reproducir música tanto por “streaming” sin cables vía Bluetooth desde su teléfono móvil, tableta u ordenador como de manera convencional conectados por un cable a una salida de auriculares apropiada. Los auriculares PX también pueden utilizarse para telefonía inalámbrica.

La función Escucha en el Mundo Real (“Real World Listening”) incluye las opciones Filtro Ambiental (“Environment Filter”) y Paso de Voz (“Voice Pass-through”). La cancelación de ruido aportada por el Filtro Ambiental es opcional y puede activarse o desactivarse de maneta sencilla mediante un botón situado en los auriculares. La opción Paso de Voz permite que sonidos externos, como por ejemplo una conversación o anuncios relacionados con la seguridad, sean oídos claramente sin necesidad de quitarse los auriculares. Tanto el Filtro Ambiental como el Paso de Voz se activan mediante la “app” Headphone para iOS y Android dedicada. Dicha “app” también permite ajustar ciertas características de los auriculares.

Los auriculares PX incorporan una batería recargable. Cuando está completamente cargada, y en función del grado de utilización de la conexión Bluetooth, el Filtro Ambiental y el Paso de Voz, dicha batería puede proporcionar hasta 22 horas de funcionamiento ininterrumpido a niveles de volumen intermedios.

1. Contenido del Embalaje de los PX

- i. Auriculares PX Wireless
- ii. Cable USB para carga
- iii. Cable universal de audio
- iv. Estuche para transporte y almacenamiento
- v. Paquete con documentación

Información Medioambiental

Este producto satisface varias regulaciones internacionales relacionadas con la protección del medio ambiente, entre ellas –aunque sin estar limitadas a las mismas- la de Restricción del Uso de Sustancias Peligrosas (RoHS) en equipos eléctricos y electrónicos, la de Registro, Evaluación y Autorización del uso de Productos Químicos REACH) y la de eliminación de Residuos Procedentes de Equipos Eléctricos y Electrónicos (WEEE). Para reciclar o desechar este producto adecuadamente, le sugerimos que contacte con sus autoridades locales en materia de gestión de residuos.

2. Conociendo los Auriculares PX

Una vez puestos en marcha con el conmutador deslizante Power del auricular derecho, sus auriculares PX son controlados a través de los botones Play/Pause y Volumen, también situados en el auricular derecho. El control de volumen y de la reproducción de audio también se podrá llevar a cabo desde un dispositivo Bluetooth o USB conectado.

Un indicador luminoso situado junto al botón Bluetooth muestra el estado de las conexiones y el nivel de carga de la batería. Los auriculares también emiten avisos audibles para ciertas órdenes de control y eventos.

Nota: Las opciones del indicador luminoso se enumeran en el Diagrama 7.

Nota: Los avisos audibles pueden activarse y desactivarse pulsando simultáneamente los botones Play/Pause y Volume +.

En la parte inferior del auricular derecho hay una toma USB y una de audio. El auricular derecho también incluye, en su zona interna, un pequeño receso que alberga un botón de reinicio.

Nota: La conexión de los cables correspondientes a las tomas USB y de audio se describe en la Sección 10.

Los auriculares PX incorporan sensores de proximidad en sus cascos que les permiten entrar en el modo de espera (standby) y desconectarse de cualquier dispositivo Bluetooth conectado dos minutos después de retirarlos de su cabeza. Por el contrario, cuando vuelva a colocarlos encima de su cabeza se activarán automáticamente desde el modo de espera y se conectarán al último dispositivo Bluetooth al que hayan estado conectados.

Una pulsación en el botón Power activa y desactiva el Filtro Ambiental, encargado de gestionar el ruido. Cuando es activado, el Filtro Ambiental funciona en las tres entradas de los auriculares: Bluetooth, USB y toma de audio.

Nota: Las funciones de los botones se enumeran en el Diagrama 8.

La “app” Bowers & Wilkins Headphone permite acceder a un amplio abanico de funciones de configuración y control, incluyéndose entre las mismas las opciones de ajuste y la selección de modo correspondientes al Filtro Ambiental y el Paso de Voz. También el sensor de proximidad situado en el casco puede ajustarse dentro de la “app”. Dicha “app” está disponible en gratuitamente para su descarga en dispositivos iOS y Android.

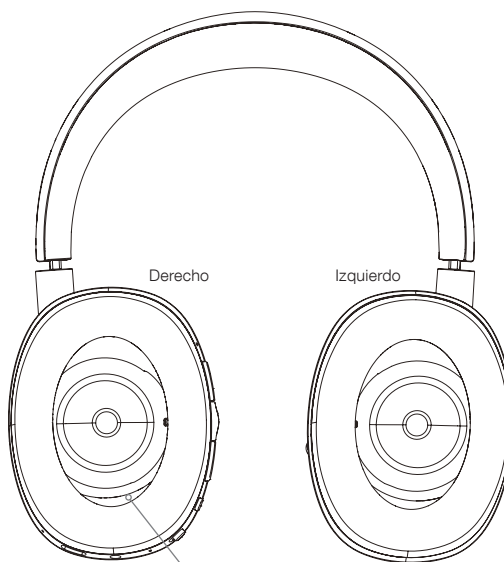
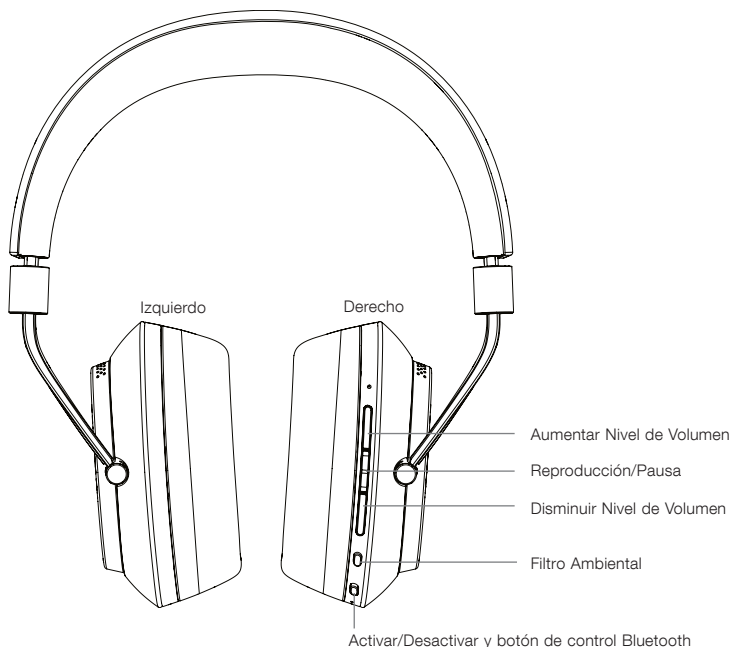


Diagrama 1
Características principales

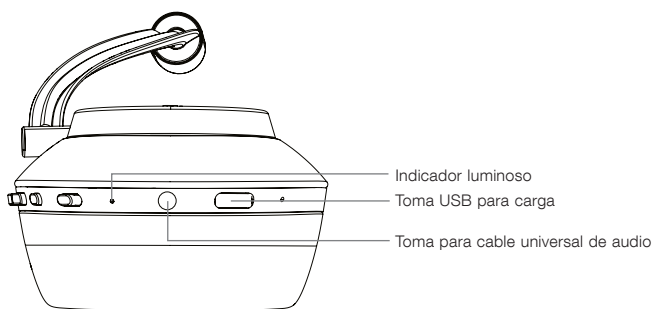


Diagrama 2
Vista inferior de los auriculares

3. Carga de la Batería

Los auriculares PX se suministran con la batería cargada y por tanto pueden ser utilizados inmediatamente. No obstante, se recomienda que antes de utilizarlos por primera vez se realice una carga completa de la batería. Dicha carga tardará aproximadamente unas 3 horas en completarse, aunque es posible utilizar los auriculares PX mientras la batería se está cargando.

Nota: Inicialmente, el indicador luminoso muestra la carga de la batería cuando los auriculares PX están activados. El color verde significa que el nivel de carga de la batería es superior al 50%. El color amarillo significa que el nivel de carga de la batería está comprendido entre el 30% y el 50%. El color rojo significa que el nivel de carga de la batería es inferior al 30%. Si el indicador luminoso parpadeará en rojo, entonces el nivel de carga de la batería es demasiado bajo para que los auriculares puedan funcionar. Las opciones del indicador luminoso se describen detalladamente en el Diagrama 7.

La carga de la batería se describe en los pasos que figuran a continuación:

- Con ayuda del cable USB de carga suministrado de serie, conecte los auriculares a una toma USB alimentada de un ordenador, un cargador USB o un cargador para automóvil.
- Durante la carga, el indicador luminoso parpadeará en verde. A medida que aumente el nivel de carga, el período iluminado de los parpadeos aumentará. Cuando la batería esté completamente cargada, el indicador permanecerá iluminado si parpadear.

4. Colocándose Sus Auriculares

El correcto uso de sus auriculares le ayudará a asegurar que las prestaciones de los mismos alcancen todo su potencial. En primer lugar, identifique el auricular correspondiente a cada oreja (izquierdo y derecho). Encontrará las leyendas de identificación en el interior de la zona inferior de la diadema, tal y como se ilustra en el Diagrama 3.

Coloque los auriculares sobre su cabeza con la diadema ajustada de tal modo que cada casco descance confortablemente sobre la oreja tal y como se muestra en el Diagrama 4. Asegúrese de que los cascos no tiren hacia arriba y causen una presión excesiva en su cabeza.

Le recomendamos que cuando no utilice sus auriculares los vuelva a colocar en su bolsa de transporte.

Nota: El uso de gafas susceptibles de distorsionar el perfil de sus orejas puede interferir en las prestaciones del Filtro Ambiental. De modo similar, es posible que los cabellos atrapados entre sus orejas y los cascos de los auriculares comprometan el funcionamiento de los sensores de proximidad.

5. Puesta en Marcha y Desactivación

Para activar sus auriculares PX, deslice lateralmente el botón de puesta en marcha (Power) tal y como se muestra en el Diagrama 5.

Sus auriculares PX han sido diseñados para activarse de manera inteligente desde el modo de espera (standby) y desconectarse de Bluetooth cuando no son utilizados, así como para ponerse en marcha cuando usted vuelve a colocarlos sobre su cabeza, por lo que en general no hay necesidad de desactivarlos por completo. No obstante, en el caso de que usted deseara desactivarlos, deslice el botón de puesta en marcha (Power) y sujételo durante uno o dos segundos. El indicador luminoso parpadeará para confirmar la desactivación.

Cuando los auriculares sean activados o desactivados, emitirán un aviso audible para confirmarlo.

Nota: Si los auriculares PX se dejan activados pero no son utilizados durante más de dos minutos, se situarán automáticamente en el modo de espera para ahorrar energía de la batería.

Nota: La sensibilidad de los sensores de proximidad que figuran en los cascos y que controlan la puesta en marcha y la entrada en el modo de espera (standby) puede ajustarse dentro de la "app" de gestión de los PX.

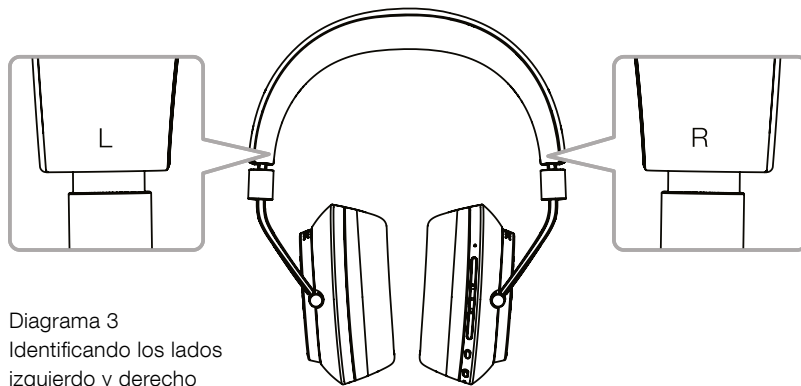


Diagrama 3
Identificando los lados izquierdo y derecho



Diagrama 4
Ajustando los cascos

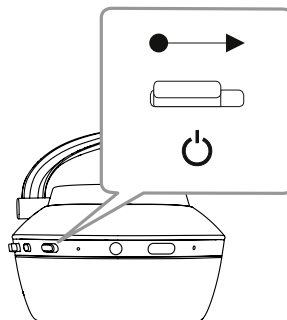


Diagrama 5
Puesta en marcha

6. Sincronización Bluetooth

Para conectar sus auriculares PX a un dispositivo de audio compatible Bluetooth, como por ejemplo su teléfono móvil, lo primero que debe hacer es "sincronizarlos" ("emparejarlos") con dicho dispositivo. Una vez efectuada dicha sincronización, tanto el dispositivo Bluetooth como los auriculares se "reconocerán" entre sí y podrán conectarse siempre y cuando estén dentro de un determinado rango de cobertura.

Cuando sus auriculares PX se pongan en marcha por primera vez, se situarán en el modo de sincronización Bluetooth. Para sincronizar un dispositivo siga los pasos que figuran a continuación:

- Asegúrese de que los auriculares estén activados y situados en el Modo de Sincronización (Pairing Mode).
- Abra los ajustes Bluetooth del dispositivo a sincronizar y asegúrese de que la conexión Bluetooth esté activada. Aparecerá "Bowers & Wilkins PX" como un dispositivo Bluetooth disponible. Seleccione "Bowers & Wilkins PX" y cierre los ajustes Bluetooth.
- Mientras el proceso de sincronización esté en marcha, el indicador luminoso de los auriculares parpadeará de manera continua en color azul, a la vez que cuando se haya establecido la sincronización aquéllos emitirán una confirmación audible.
- Cuando se haya establecido la sincronización, asegúrese de que los auriculares han sido seleccionados como dispositivo de reproducción en las "apps" de audio.

Para cualquier sincronización posterior, sus auriculares deberán situarse en el modo de sincronización manualmente. Esto se ilustra en el Diagrama 6.

- Con los auriculares activados, pulse y mantenga pulsado directamente hacia dentro el botón combinado Power/Bluetooth. Cuando los auriculares entren en el Modo de Sincronización, el indicador luminoso parpadeará en azul y emitirán un aviso audible.
- De nuevo, diríjase a la pantalla de configuración Bluetooth del dispositivo que desea emparejar con los auriculares y busque "Bowers & Wilkins PX" en la lista. Tóquela y los dos dispositivos se sincronizarán.

Nota: Si en el transcurso de cinco minutos no se sincroniza ningún dispositivo, sus auriculares saldrán automáticamente del modo de sincronización Bluetooth.

Nota: De vez en cuando, la sincronización puede fallar, en cuyo caso el indicador luminoso de los auriculares parpadeará en azul en ráfagas de dos segundos. Inténtelo de nuevo con los dos dispositivos más cerca el uno del otro.

6.1 Notas sobre la Sincronización Bluetooth

- Sus auriculares PX pueden memorizar hasta ocho dispositivos Bluetooth sincronizados. También es posible tener conectados simultáneamente dos dispositivos para permitir, por ejemplo, que la música sea reproducida por uno de ellos y las llamadas telefónicas sean atendidas por el otro.
- Cuando sus auriculares se ponen en marcha después de haber estado un período de tiempo desactivados o en el modo de espera, se conectarán al último dispositivo al que hayan estado conectados si éste último está activado y dentro de rango de cobertura Bluetooth. Otros dispositivos previamente sincronizados no se conectarán automáticamente, de tal modo que para su conexión deberán seleccionarse mediante sus ajustes Bluetooth.
- Cuando los auriculares estén desconectados, la pulsación de su botón Bluetooth en cualquier momento hará que se conecten, siempre y cuando ello sea posible, al último dispositivo al que hayan estado conectados.
- Para desconectar un dispositivo fuente Bluetooth de sus auriculares PX, pulse rápidamente dos veces seguidas el botón Bluetooth. Esto desconectará todos los dispositivos Bluetooth conectados. Cuando la conexión Bluetooth sea desactivada, los auriculares emitirán un aviso audible.

- La memoria del dispositivo sincronizado puede ser borrada pulsando y manteniendo pulsados los botones Volume- y Bluetooth durante 2 segundos. El indicador luminoso Bluetooth parpadeará y sus auriculares volverán a ponerse en marcha.

7. Control de Señales de Audio Bluetooth

Los botones Play/Pause, Volume+ y Volume- de los PX pueden ser utilizados para controlar señales de audio:

- Para aumentar el nivel de volumen, pulse el botón Vol+.
- Para disminuir el nivel de volumen, pulse el botón Vol-.
- Para escuchar música o interrumpirla momentáneamente, pulse y libere el botón Play/Pause.
- Para seleccionar la siguiente canción, pulse el botón Play/Pause dos veces en sucesión rápida.
- Para seleccionar la canción anterior, pulse el botón Play/Pause tres veces en sucesión rápida.

8. Escucha en el Mundo Real (Real World Listening)

El sistema de cancelación de ruido Filtro Ambiental (Environment Filter) de los auriculares PX se activa pulsando el botón Filtro Ambiental, situado en uno de los lados del casco derecho. El Filtro Ambiental está desactivado por defecto. Se dispone de tres perfiles alternativos para el Filtro Ambiental que proporcionan curvas de cancelación de ruido adaptadas para distintos ambientes. Dichos perfiles se seleccionan a través de la "app" Bowers & Wilkins Headphone. El botón de activación/desactivación del Filtro Ambiental del casco derecho seleccionará el último perfil de cancelación de ruido que haya sido utilizado.

La función Paso de Voz (Voice Pass-Through) de los auriculares PX permite que sonidos externos, como por ejemplo una conversación o anuncios relacionados con la seguridad, puedan ser oídos sin necesidad de quitarse los auriculares. La función Paso de Voz se selecciona a través de la "app" Bowers & Wilkins Headphone.

Nota: Las funciones Filtro Ambiental y Paso de Voz no requieren que los auriculares estén reproduciendo una señal de audio. Si se está reproduciendo una señal de audio con los auriculares, la audibilidad del Paso de Voz siempre dependerá en cierta medida de las características de dicha señal y del nivel de volumen.

Nota: El uso de gafas susceptibles de distorsionar el perfil de sus orejas puede interferir en las prestaciones del Filtro Ambiental. De modo similar, es posible que los cabellos atrapados entre sus orejas y los cascos de los auriculares comprometan el funcionamiento de los sensores de proximidad.

9. Uso con un Teléfono Móvil

Sus auriculares PX pueden ser utilizados con un teléfono móvil conectado por Bluetooth para realizar llamadas de voz:

- Para atender una llamada, pulse y libere el botón Play/Pause.
- Para rechazar una llamada, pulse el botón Play/Pause en el transcurso de dos segundos.
- Para finalizar una llamada, pulse y libere el botón Play/Pause.

Durante una llamada telefónica, cualquier reproducción de audio vía Bluetooth será interrumpida momentáneamente. Cuando finalice la llamada, la reproducción se reanudará.

Nota: Las funciones relacionadas con el teléfono móvil sólo estarán activas cuando los auriculares estén conectados por Bluetooth.

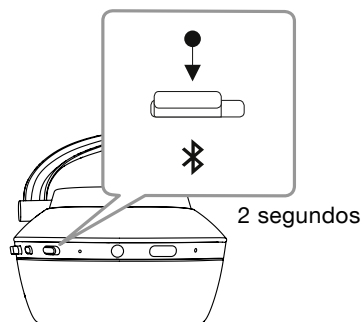


Diagrama 6
Conmutando manualmente al modo de sincronización Bluetooth

10. Conexión por Cable

Además de funcionar por vía inalámbrica, sus auriculares PX pueden ser conectados a una fuente de música utilizando los cables universal y USB suministrados de serie.

La conexión por cable es útil si los auriculares van a ser utilizados en el interior de un avión o con una fuente de audio desprovista de conectividad Bluetooth, como por ejemplo un sistema de Alta Fidelidad tradicional.

Nota: Para reproducir una señal de audio a través de un cable universal, sus auriculares PX necesitan tener la batería cargada y estar activados.

La conexión USB permite a sus auriculares funcionar como un dispositivo de audio de salida cuando son conectados a un ordenador apropiado.

Nota: Los cables de audio universal y USB pueden conectarse simultáneamente, lo que significa que la carga de la batería de los auriculares puede continuar mientras se está utilizando la fuente de entrada conectada.

En las líneas que siguen se describe la conexión de un cable de audio universal y el comportamiento de los auriculares PX con una fuente conectada con el mismo:

- Coja uno de los extremos del cable de conexión e insértelo en la toma situada en la parte inferior del casco derecho. Asegúrese de insertar la clavija por completo. Conecte el otro extremo del cable a la toma de auriculares de un componente de audio.
- Cuando se esté utilizando una conexión por cable, los controles de volumen y el botón Play/Pause de los auriculares no funcionarán.
- La conexión de un cable interrumpirá automáticamente la escucha por "streaming" vía Bluetooth en los PX. Para restaurar la reproducción vía Bluetooth deberá desconectar el cable del casco derecho.

En las líneas que siguen se describe la conexión de un cable USB y el comportamiento de los auriculares PX con una fuente USB conectada con el mismo:

- Desconecte cualquier dispositivo Bluetooth conectado pulsando dos veces en sucesión rápida el botón Bluetooth del casco derecho.

Nota: Para escuchar señales de audio vía USB debe desconectarse previamente la funcionalidad Bluetooth.

- Conecte la clavija USB pequeña en la toma situada en la parte inferior del casco derecho. Inserte la clavija USB más grande en la toma USB de un ordenador. Si la toma USB del ordenador suministra señal de alimentación, la batería de los auriculares empezará a cargarse inmediatamente.
- Seleccione los auriculares PX como dispositivo de reproducción en el panel de control de salidas de audio del ordenador. Ahora, la señal seleccionada en las "apps" de reproducción de audio del ordenador sonará a través de sus auriculares.
- Durante la reproducción de audio vía USB, tanto los controles del nivel de volumen como el botón Play/Pause de sus auriculares funcionarán normalmente.
- Para restaurar la funcionalidad Bluetooth de sus auriculares, pulse el botón Bluetooth. Los auriculares intentarán conectarse al último dispositivo conectado.

11. Actualización del Firmware de los Auriculares

De vez en cuando, sus auriculares PX serán objeto de actualizaciones de firmware motivadas por la introducción tanto de nuevas funciones como de mejoras en las prestaciones de los mismos.

Cuando se disponga de una actualización de firmware, la "app" de gestión de los auriculares mostrará una notificación. Para iniciar el proceso de actualización, toque dicha notificación en la "app".

Nota: Durante el proceso de actualización del firmware, los auriculares y el teléfono móvil deben permanecer activados y estar lo más cerca posible el uno del otro. Asimismo, es importante que el nivel de carga de la batería de los auriculares sea lo suficientemente elevado para que el proceso de actualización pueda completarse. La "app" indicará si la carga de la batería es o no suficiente para completar la actualización de firmware.

12. Reinicialización y Reinicio de los Auriculares

Sus auriculares PX pueden ser reinicializados a sus ajustes por defecto (es decir los establecidos en fábrica) utilizando el botón Factory Reset en la "app" de gestión, así como reiniciados pulsando el diminuto botón de reinicio situado en el interior del casco derecho. El citado botón se ilustra en el Diagrama 1.

Para usar el botón de reinicio, utilice un clip sujetapapeles enderezado y pulse y mantenga pulsado dicho botón durante dos segundos. Durante el proceso de reinicio, los auriculares se apagarán. Para completar el proceso de reinicio, ponga de nuevo en marcha los auriculares.

Nota: Un reinicio mediante el botón del auricular derecho no borrará la memoria de dispositivos Bluetooth emparejados.

13. Limpieza de sus Auriculares PX

Sus auriculares PX pueden limpiarse con una gamuza humedecida, frotándolos suavemente hasta que estén limpios. No frote la gamuza contra el cuero. No utilice agentes de limpieza ni abrillantadores para cuero porque podrían dañar sus auriculares.

Nota: Los elementos de los cascos de los PX revestidos con cuero están fijados magnéticamente y pueden ser retirados para su limpieza tirando suavemente de los mismos hacia fuera del cuerpo de cada casco.

Diagrama 7
Color del Indicador Luminoso

Iluminación	Indicación
Verde (parpadeo lento)	Batería cargándose
Verde	Auriculares activados, carga de la batería superior al 50%
Amarillo	Auriculares activados, carga de la batería superior al 30%
Rojo	Auriculares activados, carga de la batería inferior al 30%
Rojo (parpadeo lento)	Carga de la batería insuficiente para que los auriculares funcionen
Rojo (destello brillante)	Auriculares desactivándose
Azul	Conexión Bluetooth establecida
Azul (destello brillante)	Modo de sincronización Bluetooth activado
Azul (parpadeo lento)	Sincronización Bluetooth en marcha
Azul (destello repetitivo)	Fallo en la sincronización Bluetooth
Blanco	Filtro Ambiental activado

Diagrama 8
Funciones de los Botones

Botón	Acción	Función
On/Off/Bluetooth	Deslizar	Activar
	Deslizar y retener	Desactivar
	Pulsar y retener	Entrar en el modo de sincronización
	Pulsar	Conectarse al único dispositivo Bluetooth conectado
On/Off/Bluetooth y Volume -	Pulsar 2 veces	Desconectar todos los dispositivos Bluetooth
	Pulsar y retener ambos botones	Borrar memoria del dispositivo Bluetooth
Filtro Ambiental	Pulsar	Activar o desactivar el último ajuste del Filtro Ambiental seleccionado en la "app"
Volume +	Pulsar	Aumentar nivel de volumen
Volume -	Pulsar	Disminuir nivel de volumen
Play/Pause	Pulsar	Reproducir o interrumpir momentáneamente la señal de audio
	Pulsar 2 veces	Reproducir la pista siguiente
	Pulsar 3 veces	Reproducir la pista anterior
Play/Pause	Pulsar	Atender o finalizar una llamada telefónica
	Pulsar y retener	Rechazar una llamada telefónica
<i>Nota: Cuando se utilice la conexión por cable universal, los controles de volumen y el botón Play/Pause no funcionarán.</i>		
Play/Pause y Volume +	Pulsar ambos botones	Activar/desactivar avisos audibles

Nota: Las funciones de teléfono sólo funcionarán cuando los auriculares estén conectados vía Bluetooth.

Características Técnicas

Detalles Técnicos:	<p>Cancelación de ruido adaptativa y función de paso de voz</p> <p>Audio Bluetooth – Bluetooth 4.1 con aptX-HD</p> <p>Sensores inteligentes para Play/Pause/On/Off</p> <p>Puerto USB para interfaz de audio y carga</p> <p>Batería de litio recargable</p> <p>Almohadillas de espuma con memoria revestidas de cuero blando</p> <p>Calidad acústica del máximo nivel</p> <p>Materiales y calidad constructiva “premium”</p> <p>“App” móvil dedicada para personalizar la escucha de música</p> <p>Diseño plegable plano</p>
Codecs Bluetooth:	<p>aptx-HD</p> <p>AAC</p> <p>SBC</p>
Perfiles Bluetooth:	<p>A2DP v1.3</p> <p>AVRCP v1.6</p> <p>HFP v1.6</p> <p>HSP v1.2</p> <p>GAP</p> <p>SDAP</p> <p>DIP</p>
Transductores Utilizados:	2 de gama completa (“full range”) de 40 mm de diámetro
Rango de Frecuencias:	10-20.000 Hz
Impedancia de Entrada:	22 ohmios
Distorsión (THD):	<0’3% (1 kHz/10 mW)
Sensibilidad:	111 dB/V a 1 kHz
Autonomía de la Batería:	22 horas con BT/ANC; 29 horas sólo con BT; 33 horas conectados por cable con ANC; 50 horas con cable solo.
Entradas:	Bluetooth; estereofónica con mini-clavija de 3’5 mm; USB-C para audio.
Accesorios Suministrados:	cable de audio estereofónico universal de 1’2 m, cable USB-A a USB-C de 1’2 m y bolsa de transporte.
Peso:	335 gramos

Bem-vindo à Bowers & Wilkins e aos auscultadores PX sem fios.

Obrigado por ter optado pela Bowers & Wilkins. Quando John Bowers fundou a nossa empresa, acreditava que um design criativo, uma engenharia inovadora e uma tecnologia avançada eram as chaves que poderiam abrir as portas para se desfrutar do áudio em casa. A sua crença é algo que continuamos a partilhar e que inspira todos os produtos que concebemos.

Os auscultadores PX são unidades de alto desempenho de usar sobre o ouvido e proporcionam a maior qualidade de áudio individual combinada com a conveniência do funcionamento sem fios e a serenidade do cancelamento de ruído. Este manual explica tudo o que precisa de saber para tirar o máximo partido dos seus auscultadores PX.

Os auscultadores PX podem reproduzir música transmitida sem fios a partir do seu telemóvel, tablet ou computador através de Bluetooth, ou convencionalmente, através de um cabo com conector ligado a uma saída de auscultadores adequada. Os auscultadores PX também podem reproduzir áudio através de uma ligação USB de um computador e podem ser utilizados para telefonia sem fios.

As funcionalidades Real World Listening dos auscultadores PX incluem um filtro de ambiente e pass-through de voz. O filtro de ambiente de cancelamento do ruído é opcional e pode ser facilmente ativado ou desativado através de um botão nos auscultadores. A função de pass-through de voz permite que os sons externos, tais como conversação ou anúncios de segurança, possam ser escutados claramente sem qualquer necessidade de remover os auscultadores. As funcionalidades de filtro de ambiente e pass-through de voz são ativadas através da aplicação dos auscultadores disponível para iOS e Android. A aplicação permite também o ajuste de determinadas características dos auscultadores.

Os auscultadores PX incluem um conjunto de baterias recarregáveis. Quando totalmente carregado, e dependendo da utilização do Bluetooth, do filtro de ambiente e do pass-through de voz, o pacote de baterias pode garantir até 22 horas de utilização em níveis de volume médios.

1. Conteúdos da caixa dos PX

- i. Auscultadores PX sem fios
- ii. Cabo USB para carregamento
- iii. Cabo de áudio com conector
- iv. Bolsa de transporte
- v. Documentação

Informação ambiental

Este produto cumpre as diretivas internacionais, incluindo mas não se limitando às seguintes normas: Diretiva relativa à restrição do uso de determinadas substâncias perigosas (RoHS: Restriction of Hazardous Substances) em equipamentos elétricos e eletrónicos; Regulamento relativo ao registo, avaliação, autorização e restrição dos produtos químicos (REACH: Registration, Evaluation, Authorisation and Restriction of Chemicals) e Diretiva relativa aos Resíduos de Equipamentos Elétricos e Eletrónicos (REEE). Consulte uma entidade local de recolha de lixo para obter informação sobre como reciclar ou eliminar este produto de forma correta.

2. Conhecer os auscultadores PX

Depois de ligados com o botão deslizante de alimentação no auscultador direito, os auscultadores PX podem ser controlados através dos botões Reproduzir/Pausa e Volume, também localizados no auscultador direito. Um dispositivo ligado por Bluetooth ou USB também permite controlar o volume dos auscultadores e a reprodução de áudio.

Um indicador junto ao botão de Bluetooth apresenta o estado da ligação e o nível de carga da bateria. Os auscultadores também reproduzem sinais sonoros para alguns comandos de controlo e eventos.

Nota: as luzes indicadoras encontram-se listadas no Diagrama 7.

Nota: os sinais sonoros podem ser ativados ou desativados premindo simultaneamente os botões Reproduzir/Pausa e Volume +.

Existe uma entrada USB e uma entrada para cabo de áudio com conector na parte inferior do auscultador direito. O auscultador direito inclui também um botão de reinício embutido num orifício, atrás da almofada do auscultador.

Nota: a ligação de cabos de áudio com conector e cabos USB encontra-se descrita na Secção 10.

Os auscultadores PX incluem sensores de proximidade em cada auscultador, o que significa que entram em modo de standby e se desligam de qualquer dispositivo Bluetooth ligado dois minutos após os retirar da cabeça. Posteriormente, quando são colocados na cabeça, reativam-se novamente e estabelecem ligação ao último dispositivo Bluetooth ligado.

Um botão junto ao botão de alimentação permite ativar ou desativar o filtro de ambiente responsável pela gestão de ruído. Quando ativado, o filtro de ambiente funciona nas três entradas dos auscultadores: Bluetooth, USB e conector de áudio.

Nota: as funções dos botões encontram-se listadas no Diagrama 8.

A aplicação Bowers & Wilkins dos auscultadores disponibiliza configurações e funções de controlo avançadas, incluindo filtro de ambiente e pass-through de voz, ajuste e seleção de modos. A sensibilidade do sensor de proximidade dos auscultadores também pode ser ajustada na aplicação. A aplicação está disponível para transferência gratuita em dispositivos iOS e Android.

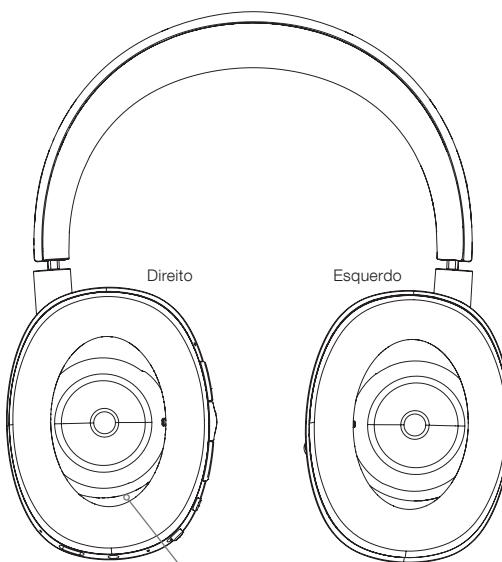
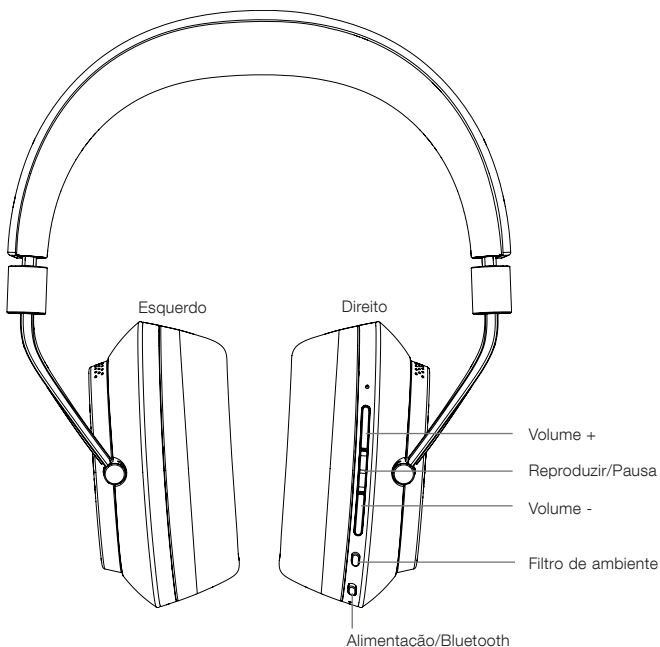


Diagrama 1
Características principais

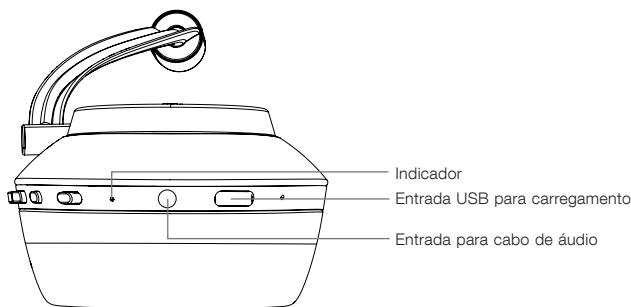


Diagrama 2
Vista inferior

3. Carregar a bateria

Os auscultadores PX são enviados com a bateria carregada e podem ser utilizados de imediato. No entanto, é aconselhável carregar a bateria totalmente antes da primeira utilização. Podem ser necessárias até 3 horas para os auscultadores PX atingirem a carga máxima. No entanto, é possível utilizá-los enquanto a bateria está a carregar.

Nota: inicialmente, o indicador apresenta a carga da bateria quando os auscultadores PX são ligados. A cor verde indica que a carga da bateria é superior a 50%. A cor amarela indica que a carga da bateria se encontra entre 50% e 30%. A cor vermelha indica que a carga da bateria é inferior a 30%. Se o indicador piscar a vermelho, a carga da bateria está demasiado baixa para utilizar os auscultadores. As luzes indicadoras encontram-se apresentadas detalhadamente no Diagrama 7.

O carregamento da bateria encontra-se descrito nos seguintes parágrafos:

- Utilizando o cabo USB para carregamento fornecido, ligue os auscultadores a uma entrada USB com alimentação, seja uma entrada USB num computador, um carregador USB ligado à corrente elétrica ou um carregador para automóvel.
- Durante o carregamento, o indicador dos auscultadores pisca a verde. À medida que o nível de carga aumenta, o indicador que pisca mantém-se aceso durante mais tempo. Quando o carregamento estiver concluído, o indicador permanece iluminado.

4. Utilizar os auscultadores

A correta utilização dos auscultadores ajudará a garantir que o desempenho atinge todo o seu potencial. Em primeiro lugar, identifique o auscultador direito e o auscultador esquerdo. Existem identificações no lado interior do suporte para a cabeça, tal como ilustrado no Diagrama 3.

Coloque os auscultadores na cabeça com o suporte ajustado de forma a que cada auscultador esteja confortavelmente posicionado sobre as orelhas, tal como ilustrado no Diagrama 4. Certifique-se de que os auscultadores não estão a exercer força para cima e a provocar pressão desnecessária sobre a cabeça.

É recomendável que volte a colocar os auscultadores na respetiva bolsa de transporte quando não estiverem a ser utilizados.

Nota: a utilização de óculos que alterem o perfil das suas orelhas poderá interferir com o desempenho do filtro de ambiente dos auscultadores. De igual modo, o cabelo preso entre as suas orelhas e os auscultadores podem comprometer a sensibilidade do sensor.

5. Ligar e desligar

Para ligar os seus auscultadores PX, deslize o botão de alimentação para o lado, tal como indicado no Diagrama 5.

Os auscultadores PX foram concebidos de forma a passarem de forma inteligente para modo de standby e desligarem o Bluetooth quando não estão em utilização e também para voltarem a ligar quando são usados, pelo que geralmente não é necessário desligá-los. No entanto, caso os pretenda desligar, deslize o botão de alimentação e mantenha-o premido durante um ou dois segundos. O indicador pisca a vermelho para confirmar que está desligado.

Os auscultadores emitem um sinal sonoro quando ligam e desligam.

Nota: os auscultadores PX que são deixados ligados, mas inativos durante mais de dois minutos, mudam automaticamente para o modo de standby para poupar bateria.

Nota: a sensibilidade dos sensores de proximidade dos auscultadores que controlam a ligação e a passagem ao modo de standby pode ser ajustada na aplicação dos auscultadores.

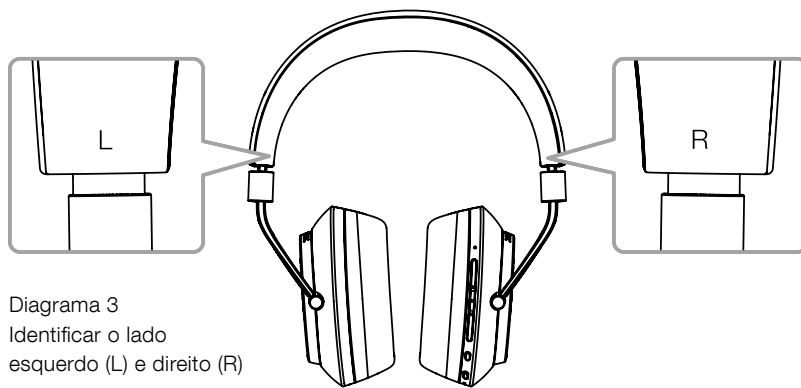


Diagrama 3
Identificar o lado esquerdo (L) e direito (R)



Diagrama 4
Ajustar os auscultadores

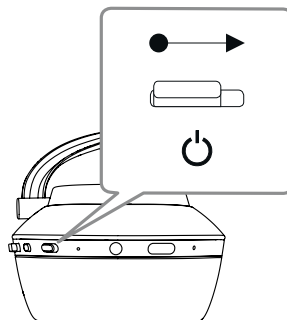


Diagrama 5
Ligar

6. Emparelhar por Bluetooth

Para ligar os seus auscultadores PX a um dispositivo de áudio compatível com Bluetooth, tal como o seu telemóvel, é necessário, em primeiro lugar, "emparelhar" com o dispositivo. Depois de emparelhados, o dispositivo Bluetooth e os auscultadores registam os dados da ligação, conseguindo ligar-se com facilidade quando estiverem à distância adequada.

A primeira vez que ligar os seus auscultadores PX, estes iniciam no modo de emparelhamento Bluetooth. Para emparelhar um dispositivo, siga estes passos:

- Certifique-se de que os auscultadores estão ligados e se encontram no modo de emparelhamento. O indicador pisca a azul.
- Abra as definições de Bluetooth no dispositivo a emparelhar e verifique se o Bluetooth está ligado. "PX Bowers & Wilkins" aparece como dispositivo disponível. Selecione "PX Bowers & Wilkins" e feche as definições de Bluetooth.
- O indicador dos auscultadores pisca a azul enquanto o emparelhamento está a decorrer e passa a azul estático quando o emparelhamento é estabelecido. Os auscultadores também emitem um sinal sonoro quando o emparelhamento é estabelecido.
- Assim que o emparelhamento estiver estabelecido, certifique-se de que os auscultadores estão selecionados como o dispositivo de reprodução nas aplicações de áudio.

Para quaisquer emparelhamentos posteriores, os seus auscultadores têm de ser alterados manualmente para o modo de emparelhamento, conforme ilustrado no Diagrama 6.

- Com os auscultadores ligados, mantenha o botão Bluetooth/de alimentação premido durante dois segundos. O indicador pisca a azul e os auscultadores emitem um sinal sonoro quando entram no modo de emparelhamento.
- Mais uma vez, aceda ao ecrã de configuração de Bluetooth do dispositivo que pretende emparelhar com os auscultadores e procure "PX Bowers & Wilkins" na lista. Toque no nome e os dois dispositivos são emparelhados.

Nota: os seus auscultadores saem automaticamente do modo de emparelhamento Bluetooth se nenhum dispositivo for emparelhado após cinco minutos.

Nota: o emparelhamento pode falhar ocasionalmente, situação em que o auscultador pisca a azul em períodos de dois segundos. Tente novamente com os dois dispositivos mais próximos.

6.1 Notas sobre o emparelhamento Bluetooth

- Os seus auscultadores PX conseguem memorizar até oito dispositivos Bluetooth emparelhados. É possível ligar simultaneamente dois dispositivos para permitir, por exemplo, a reprodução de música de um dispositivo e a receção de chamadas telefónicas de outro.
- Quando os auscultadores são ligados depois de um período de tempo desligados ou em modo de standby, estes ligam-se ao último dispositivo ligado, caso este se encontre ligado e dentro de alcance. Outros dispositivos emparelhados não se ligam automaticamente e têm de ser selecionados nas definições de Bluetooth.
- Quando desligados, premir a qualquer momento o botão Bluetooth dos auscultadores desencadeia a ligação ao último dispositivo ligado, caso seja possível.
- Para desligar um dispositivo Bluetooth dos auscultadores PX, prima rapidamente o botão Bluetooth duas vezes. Esta operação desliga todos os dispositivos Bluetooth ligados. Os auscultadores emitem um sinal sonoro quando o Bluetooth é desligado.

- A memória dos dispositivos emparelhados com os auscultadores pode ser eliminada se manter premidos, simultaneamente, os botões Bluetooth e Volume durante 2 segundos. O indicador pisca e os auscultadores reiniciam.

7. Controlar o áudio por Bluetooth

Os botões Reproduzir/Pausa, Volume + e Volume – dos auscultadores PX podem ser utilizados para controlo de áudio:

- Para aumentar o volume, prima o botão Volume +.
- Para reduzir o volume, prima o botão Volume –.
- Para reproduzir ou colocar o áudio em pausa, prima e liberte o botão Reproduzir/Pausa.
- Para selecionar a faixa seguinte, prima rapidamente o botão Reproduzir/Pausa duas vezes.
- Para selecionar a faixa anterior, prima rapidamente o botão Reproduzir/Pausa três vezes.

8. Real World Listening

O filtro de ambiente de cancelamento de ruído dos auscultadores PX é ativado premindo o botão do filtro de ambiente no auscultador direito. Por predefinição, o filtro de ambiente encontra-se desligado. Estão disponíveis três perfis alternativos do filtro de ambiente que permitem adaptar as características de cancelamento de ruído a diferentes ambientes. Estes perfis são selecionados através da aplicação Bowers & Wilkins dos auscultadores. O botão de ligar/desligar o filtro de ambiente, no auscultador direito, seleciona o último perfil de cancelamento de ruído utilizado.

A função de pass-through de voz dos auscultadores PX permite que os sons externos, tais como conversação ou anúncios de segurança, possam ser escutados sem remover os auscultadores. A função de pass-through de voz é selecionada através da aplicação Bowers & Wilkins dos auscultadores.

Nota: as funções de filtro de ambiente e pass-through de voz não requerem que os auscultadores estejam a reproduzir um sinal de áudio. Se os auscultadores estiverem a reproduzir áudio, a audibilidade do pass-through de voz dependerá sempre do emissor e do nível de volume.

Nota: a utilização de óculos que alterem o perfil das suas orelhas poderá interferir com o desempenho do filtro de ambiente dos auscultadores. De igual modo, o cabelo preso entre as suas orelhas e os auscultadores podem comprometer a sensibilidade do sensor.

9. Utilizar o telemóvel

Os auscultadores PX podem ser utilizados com um telemóvel ligado por Bluetooth para fazer chamadas de voz:

- Para atender uma chamada, prima e liberte o botão Reproduzir/Pausa.
- Para rejeitar uma chamada, prima o botão Reproduzir/Pausa durante dois segundos.
- Para terminar uma chamada, prima e liberte o botão Reproduzir/Pausa.

A reprodução de áudio por Bluetooth é colocada em pausa quando é atendida uma chamada telefónica. Quando a chamada terminar, a reprodução é retomada.

Nota: as funções de telefone funcionam apenas quando os auscultadores estão ligados através de Bluetooth.

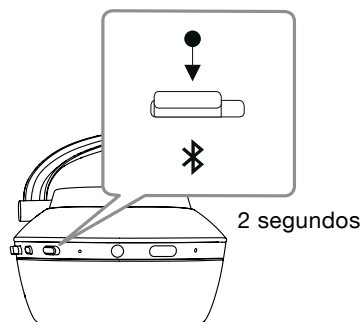


Diagrama 6

Alternar manualmente para o modo de emparelhamento Bluetooth

10. Ligação com fios

Além de funcionar sem fios, os auscultadores PX podem ser ligados a fontes de áudio através dos cabos de áudio com conector e USB fornecidos.

A ligação através de cabo de áudio com conector é útil se os auscultadores forem utilizados a bordo de um avião ou com uma fonte de áudio sem ligação Bluetooth, tal como um sistema hi-fi tradicional.

Nota: Nota: os auscultadores PX têm de estar carregados e ligados para reproduzir áudio através de um conector.

A ligação USB permite que os auscultadores PX funcionem como um dispositivo de saída de som USB quando ligados a um computador adequado.

Nota: os cabos USB e com conector podem ser ligados em simultâneo para que o carregamento da bateria por USB continue, enquanto a entrada para conector dos auscultadores está em utilização.

A ligação de um cabo de áudio com conector e o comportamento dos auscultadores PX quando é utilizada a entrada de áudio são descritos nos seguintes parágrafos:

- Pegue numa extremidade do cabo com conector e introduza a ficha na entrada, na parte inferior do auscultador direito. Certifique-se de que a ficha está corretamente encaixada. Ligue a outra extremidade do cabo à entrada para auscultadores de um dispositivo de reprodução de áudio.
- Os botões de controlo de volume e de Reprodução/Pausa dos auscultadores não funcionam quando está a ser utilizada uma ligação com cabo com conector.
- A ligação de um cabo com conector coloca automaticamente em pausa a transmissão por Bluetooth dos auscultadores PX. Para retomar a transmissão por Bluetooth é necessário desligar o cabo com conector dos auscultadores.

A ligação de um cabo USB e o comportamento dos auscultadores PX quando é utilizada uma entrada USB são descritos nos seguintes parágrafos:

- Desligue qualquer dispositivo ligado por Bluetooth premindo rapidamente o botão Bluetooth no auscultador direito duas vezes.

Nota: é necessário desativar o Bluetooth para reproduzir áudio através de USB.

- Ligue a ficha USB mais pequena na entrada localizada na parte inferior do auscultador direito. Ligue a ficha USB maior na entrada USB de um computador. Caso a entrada USB forneça alimentação, a bateria dos auscultadores começa imediatamente a ser carregada.
- Selecione os auscultadores PX como o dispositivo de reprodução no painel de controlo de saída de áudio do computador. O áudio selecionado em aplicações de reprodução de áudio do computador é agora reproduzido através dos auscultadores PX.
- O volume dos auscultadores e os controlos Reproduzir/Pausa funcionam normalmente na reprodução de áudio por USB.
- Para repor as funções de Bluetooth dos auscultadores, prima o botão Bluetooth. Os auscultadores tentam estabelecer ligação ao último dispositivo ligado.

11. Atualizar o firmware dos auscultadores

Periodicamente, os auscultadores PX são submetidos a atualizações de firmware, à medida que o desempenho é melhorado e que são adicionadas novas funcionalidades.

Quando estiver disponível uma atualização de firmware, a aplicação dos auscultadores apresenta uma notificação. Toque na notificação para iniciar o processo de atualização.

Nota: durante o processo de atualização do firmware, os auscultadores e o dispositivo móvel têm de permanecer ligados e próximos. Também é importante que os auscultadores tenham carga suficiente para a conclusão da atualização do firmware. A aplicação avisa caso a bateria não tenha carga suficiente para concluir a atualização do firmware.

12. Repor e reiniciar os auscultadores

É possível repor as predefinições dos auscultadores PX utilizando a opção "Factory Reset" (Reposição para os valores de fábrica) na aplicação dos auscultadores. Em alternativa, os auscultadores podem ser reiniciados pressionando o botão de reinício localizado no auscultador direito. O botão de reinício está ilustrado no Diagrama 1.

Para utilizar o botão de reinício utilize um clipe de papel esticado e pressione durante dois segundos. Os auscultadores desligam-se durante o processo de reinício. Ligue os auscultadores para concluir o processo de reinício.

Nota: o reinício através do botão de reinício não limpa a memória de dispositivos com ligação por Bluetooth.

13. Limpar os auscultadores PX

Pode limpar os auscultadores PX dando toques ligeiros com um pano húmido até estarem limpos. Não esfregue a pele com o pano. Não utilize detergentes, nem produtos para limpeza de artigos em pele, uma vez que pode danificar os auscultadores.

Nota: os componentes em pele dos auscultadores PX têm um encaixe magnético que, se necessário, pode ser removido para limpeza puxando-o cuidadosamente.

Diagrama 7 Luzes indicadoras

Luz	Indicação
Verde (pisar lento)	Bateria a carregar
Verde	Auscultadores ligados, carga da bateria > 50%
Amarelo	Auscultadores ligados, carga da bateria > 30%
Vermelho	Auscultadores ligados, carga da bateria < 30%
Vermelho (pisar lento)	Bateria com carga insuficiente para o funcionamento dos auscultadores
Vermelho (a pisar)	Auscultadores a desligar
Azul	Ligação Bluetooth estabelecida
Azul (a pisar)	Modo de emparelhamento Bluetooth ativo
Azul (pisar lento)	Emparelhamento Bluetooth em curso
Azul (pisar repetido)	Falha no emparelhamento Bluetooth
Branco	Filtro de ambiente ativo

Diagrama 8 Funções dos botões

Botão	Ação	Função
Ligar/Desligar/Bluetooth	Deslizar	Ligar
	Deslizar e manter	Desligar
	Manter premido	Entrar no modo de emparelhamento
	Premir	Ligar ao último dispositivo Bluetooth ligado
Ligar/Desligar/Bluetooth e Volume -	Premir 2 vezes	Desligar de todos os dispositivos Bluetooth
	Manter ambos premidos	Limpar a memória de dispositivos Bluetooth
Filtro de ambiente	Premir	Ativar ou desativar a última definição do filtro de ambiente selecionada na aplicação.
Volume +	Premir	Aumentar o volume
Volume -	Premir	Diminuir o volume
Reproduzir/Pausa	Premir	Reproduzir ou colocar o áudio em pausa
	Premir 2 vezes	Reproduzir faixa seguinte
	Premir 3 vezes	Reproduzir faixa anterior

Nota: os botões de controlo de volume e de Reprodução/Pausa dos auscultadores não funcionam quando está a ser utilizada uma ligação com cabo com conector.

Reproduzir/Pausa	Premir	Atender ou desligar uma chamada telefónica
	Manter premido	Rejeitar uma chamada telefónica

Nota: as funções de telefone funcionam apenas quando os auscultadores estão ligados através de Bluetooth.

Reproduzir/Pausa e Volume +	Premir ambos	Ativar/Desativar sinais sonoros
-----------------------------	--------------	---------------------------------

Especificações

Características técnicas:	<p>Cancelamento adaptativo de ruído e pass-through de voz</p> <p>Áudio por Bluetooth: Bluetooth 4.1 com aptX-HD</p> <p>Deteção inteligente para reprodução/pausa/ligar/desligar</p> <p>Carregamento USB-C e interface áudio</p> <p>Bateria de lítio recarregável</p> <p>Almofadas em espuma de poliuretano viscoelástica revestidas a pele macia</p> <p>Acústica de alto nível</p> <p>Materiais e qualidade de construção de alto nível</p> <p>Aplicação móvel para reprodução personalizada de áudio</p> <p>Design de dobragem plana</p>
Codecs Bluetooth:	<p>aptX-HD</p> <p>AAC</p> <p>SBC</p>
Perfis Bluetooth:	<p>A2DP v1.3</p> <p>AVRCP v1.6</p> <p>HFP v1.6</p> <p>HSP v1.2</p> <p>GAP</p> <p>SDAP</p> <p>DIP</p>
Diafragmas:	2 diafragmas de gama total com 40 mm
Gama de frequências:	10 Hz a 20 kHz
Impedância de entrada:	22 Ohms
Distorção (THD):	<0,3% (1 KHz/10 mW)
Sensibilidade:	111 dB/V a 1 kHz
Duração da bateria:	22 horas com BT/ANC, 29 horas apenas com BT, 33 horas com fios e ANC, 50 horas apenas com fios.
Entradas:	Bluetooth, conector estéreo de 3,5 mm, áudio USB-C
Acessórios incluídos:	cabo de áudio com conector estéreo de 1,2 m, cabo de 1,2 m de ligação USB-A a USB-C. Bolsa de proteção
Peso:	335 gramas



02524-18-07902

Este equipamento não tem direito à proteção contra interferência prejudicial, e não pode causar interferência a sistemas devidamente autorizados.

PX

Benvenuti e grazie per aver scelto un prodotto Bowers & Wilkins.

Il nostro fondatore, John Bowers, era convinto che design attraente, capacità d'innovare e tecnologie all'avanguardia fossero fattori vincenti per la riproduzione audio domestica. Le sue idee sono ancor oggi condivise da noi tutti e fonte d'ispirazione per ogni nuovo modello che progettiamo.

Le PX sono cuffie sovraurali ad alte prestazioni che offrono la massima qualità audio unita alla praticità del collegamento senza fili ed altre utili funzioni come la cancellazione attiva del rumore. Questo manuale vi fornirà ogni informazione sul loro impiego per consentirvi di ottenere il massimo dalla vostra PX.

Le cuffie PX possono riprodurre musica in streaming senza fili da smartphone, tablet o computer tramite Bluetooth, oppure, in maniera più tradizionale, essere collegate con un cavo audio dotato di spinotti jack all'uscita cuffia di un dispositivo di riproduzione o amplificatore Hi-Fi. Le cuffie PX possono anche riprodurre file audio via USB da un computer e possono essere utilizzate per la telefonia wireless.

Il filtro ambiente, opzionale, comandato da un apposito tasto sul padiglione dell'auricolare destro, consente di attivare la cancellazione del rumore per rendere più coinvolgente l'ascolto della musica nelle situazioni di tutti i giorni. Tre differenti opzioni forniscono caratteristiche ottimizzate per ambienti diversi, come Ufficio, Città, Aereo, selezionabili tramite l'applicazione dedicata Bowers & Wilkins Headphones per dispositivi portatili iOS o Android. A questa funzione si associa il passaggio delle voci che permette di non isolare completamente l'ascoltatore dal mondo circostante consentendo di percepire conversazioni, annunci o segnalazioni di sicurezza in modo chiaro senza doversi togliere le cuffie. L'attivazione di questa funzione e la sua regolazione avviene attraverso l'applicazione dedicata.

Le cuffie PX sono dotate di batteria ricaricabile che, a partire da una carica completa ed in funzione del grado di utilizzo di Bluetooth, filtro ambiente e passaggio delle voci, arriva a fornire fino a 22 ore di ascolto ad un livello medio di volume.

1. Contenuto della confezione

- I Cuffia PX Wireless
- II Cavo USB per audio e ricarica
- III Cavo audio con spinotti jack
- IV Custodia
- V Documentazione

Informazioni per l'ambiente

Questo prodotto è realizzato in conformità alle normative internazionali sulla limitazione delle sostanze pericolose (RoHS) come pure sulla registrazione, valutazione, autorizzazione e limitazione delle sostanze chimiche (REACH) e sullo smaltimento delle apparecchiature elettriche ed elettroniche (WEEE). Fare riferimento alle indicazioni dell'autorità del vostro Paese per il corretto riciclo o smaltimento del prodotto.

2. Descrizione

Una volta accesa tramite l'interruttore a slitta situato nella parte inferiore del padiglione dell'auricolare destro (che, quando premuto, svolge anche la funzione di tasto Bluetooth), la cuffia PX può essere controllata con i tasti Riproduzione/Pausa, Volume + e Volume - al centro del padiglione. Anche un dispositivo esterno collegato tramite Bluetooth o cavo USB può controllare il volume della cuffia e la riproduzione audio.

Un indicatore luminoso in prossimità dell'interruttore a slitta segnala lo stato della connessione Bluetooth ed il livello di carica della batteria. La cuffia emette anche segnali acustici in risposta ad alcuni comandi o al verificarsi di determinate condizioni di funzionamento.

Nota: Le informazioni fornite dall'indicatore luminoso sono elencate in Figura 7.

Nota: Per attivare o disattivare i segnali acustici premere contemporaneamente i tasti Riproduzione/Pausa e Volume +.

Nel padiglione destro sono presenti anche una presa USB ed una presa jack audio e, sotto il cuscinetto rimovibile, un piccolo foro permette di accedere con un oggetto a punta o una graffetta aperta al tasto di riavvio.

Nota: Il collegamento della cuffia tramite cavo audio con spinotti jack e cavo USB sono descritti nella Sezione 10.

In ognuno degli auricolari sono collocati dei sensori di prossimità che permettono alla cuffia di entrare in modalità standby e disconnettersi dai dispositivi Bluetooth due minuti dopo aver smesso di indossarla, salvo riprendere il normale funzionamento e riconnettersi all'ultimo dispositivo Bluetooth al quale era collegata una volta indossata di nuovo.

Un altro tasto a fianco dell'interruttore a slitta consente l'attivazione o la disattivazione del filtro ambiente che sovrintende alla cancellazione del rumore. Tale filtro agisce su tutti gli ingressi della cuffia: Bluetooth, USB e jack audio.

Nota: Le funzioni dei tasti della cuffia sono riassunte in Figura 8.

La cuffia PX può essere controllata nelle sue funzioni, tra le quali filtro ambiente e passaggio delle voci, tramite la specifica applicazione Bowers & Wilkins Headphones disponibile gratuitamente per dispositivi iOS ed Android. Anche la sensibilità dei rilevatori di prossimità può essere regolata attraverso tale applicazione.

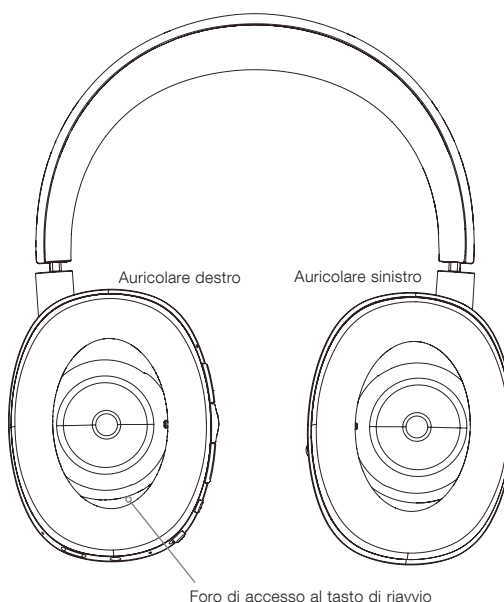
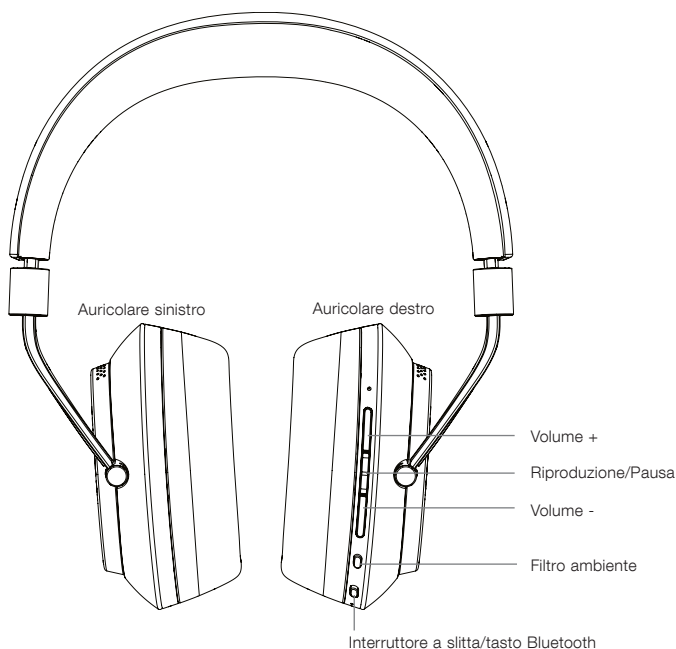


Figura 1
Principali comandi

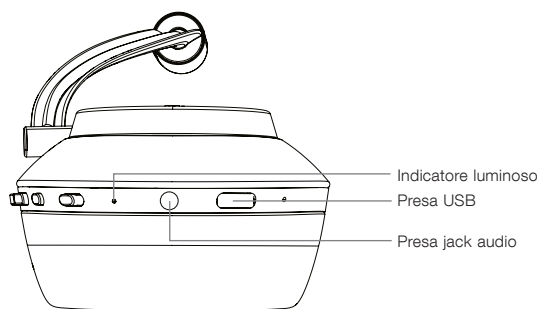


Figura 2
Vista da sotto

3. Carica della batteria

La cuffia PX viene spedita con la batteria parzialmente carica e può pertanto essere utilizzata immediatamente. Tuttavia è buona pratica ricaricare completamente la batteria prima di impiegarla. Possono essere necessarie fino a 3 ore per raggiungere la piena carica, durante questo tempo è comunque possibile utilizzarla.

Nota: Il colore assunto dall'indicatore luminoso all'atto dell'accensione segnala lo stato della batteria. Verde indica una carica superiore al 50%, giallo tra il 30 ed il 50% mentre rosso inferiore al 30%. Se l'indicatore lampeggia in rosso significa che la batteria è troppo scarica per assicurare il corretto funzionamento della cuffia. Tutte le segnalazioni fornite dall'indicatore sono elencate in Figura 7.

Per ricaricare la batteria seguire le indicazioni sotto riportate.

- Utilizzare il cavo USB in dotazione per collegare la cuffia ad una presa USB alimentata, ad esempio di un computer oppure di un caricabatterie USB a 230 V o da auto.
- Durante la carica l'indicatore luminoso lampeggia in verde. All'aumentare del livello di carica l'indicatore lampeggerà con minor frequenza fino a rimanere stabilmente acceso una volta raggiunta la piena carica.

4. Utilizzo della cuffia

Il corretto utilizzo della cuffia assicura di ottenere le massime prestazioni. Per prima cosa identificare i canali sinistro e destro tramite le lettere L (sinistra) ed R (destra) presenti nella parte bassa dell'archetto superiore, come indicato in Figura 3.

Indossare la cuffia regolando la posizione degli auricolari fino a farli poggiare perfettamente centrati sulle orecchie come illustrato in Figura 4. Assicurarsi che gli auricolari non tirino verso l'alto provocando un'inutile pressione sulla testa.

Si consiglia di riporre la PX nella sua custodia quando non utilizzata.

Nota: Se si indossano occhiali, questi possono distorcere il profilo delle orecchie interferendo con le prestazioni del filtro ambiente. Allo stesso modo capelli intrappolati tra orecchie e auricolari possono compromettere il regolare funzionamento dei sensori di prossimità.

5. Accensione e spegnimento

Per accendere la PX spostare verso destra l'interruttore a slitta come indicato in Figura 5.

La cuffia è progettata per passare in modo intelligente alla modalità standby e disconnettersi dai dispositivi Bluetooth collegati quando non in uso e riprendere il normale funzionamento quando la si indossa nuovamente. In genere, quindi, non è necessario spegnerla. Se invece la si desidera spegnere definitivamente, spostare verso destra l'interruttore a slitta e tenerlo in quella posizione per 1 o 2 secondi. L'indicatore lampeggia in rosso per confermare lo spegnimento.

All'accensione ed allo spegnimento la cuffia emette un segnale acustico.

Nota: Se la PX accesa non viene utilizzata per oltre 2 minuti, passa automaticamente alla modalità standby per preservare la carica della batteria.

Nota: La sensibilità dei rilevatori di prossimità situati negli auricolari che comandano il passaggio da accensione a standby e viceversa può essere regolata tramite l'applicazione Bowers & Wilkins Headphones.

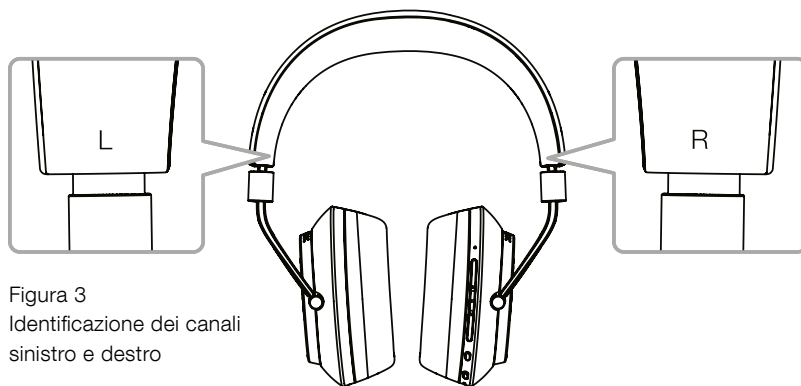


Figura 3
Identificazione dei canali sinistro e destro

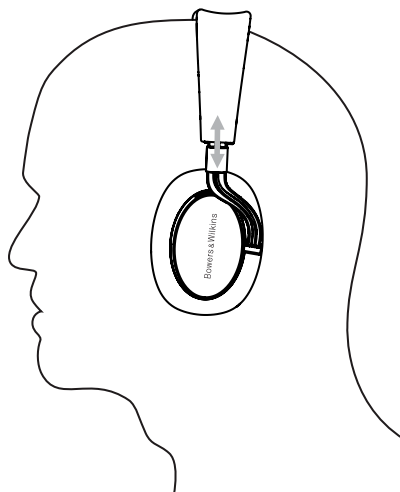


Figura 4
Regolazione degli auricolari

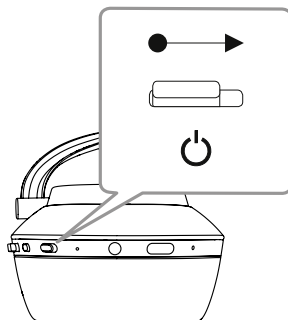


Figura 5
Accensione

6. Connessione Bluetooth

Per collegare la PX a un dispositivo audio Bluetooth è necessario prima "abbinarla" al dispositivo stesso. Una volta abbinati, sia il dispositivo Bluetooth, sia la cuffia si "ricorderanno" l'uno dell'altra così da essere in grado di riconnettersi rientrando nel raggio d'azione.

Quando si accende per la prima volta, la cuffia entra automaticamente in modalità di abbinamento. Per abbinare un dispositivo seguire i seguenti passi:

- Assicurarsi che la cuffia sia accesa ed in modalità di abbinamento. L'indicatore lampeggia in blu.
- Aprire le impostazioni Bluetooth sul dispositivo che si desidera abbinare e verificare che il Bluetooth sia attivo. Una volta individuata, la PX comparirà nell'elenco dei dispositivi disponibili come 'PX Bowers & Wilkins'. Selezionarla e chiudere le impostazioni Bluetooth.
- L'indicatore luminoso sulla PX lampeggerà per segnalare l'abbinamento in corso e, una volta completato, si accenderà stabilmente in blu. Inoltre verrà emesso un segnale acustico di conferma dell'abbinamento.
- Una volta effettuata la connessione, assicurarsi che la PX sia selezionata come dispositivo di riproduzione nell'applicazione utilizzata per ascoltare musica.

Per ogni successivo abbinamento di dispositivi la modalità di abbinamento deve essere attivata manualmente come illustrato in Figura 6.

- Con la cuffia accesa, premere e mantenere premuto per 2 secondi il tasto Bluetooth incorporato nell'interruttore a slitta di accensione. L'indicatore lampeggia in blu e viene emesso un segnale acustico di conferma dell'attivazione della modalità di abbinamento.
- Ancora una volta aprire le impostazioni Bluetooth sul dispositivo che si desidera abbinare, verificare che il Bluetooth sia attivo e cercare nell'elenco dei dispositivi disponibili l'indicazione 'PX Bowers & Wilkins'. Selezionarla e chiudere le impostazioni Bluetooth.

Nota: La cuffia esce automaticamente dalla modalità di abbinamento Bluetooth se nessun dispositivo viene abbinato entro 5 minuti.

Nota: L'abbinamento ad un dispositivo può occasionalmente fallire. L'indicatore in questo caso emette dei lampi per 2 secondi. Ripetere l'operazione tenendo i due dispositivi uno in prossimità dell'altro.

6.1 Note sulla connessione Bluetooth

- La PX può memorizzare fino a otto dispositivi Bluetooth abbinati. È possibile connettere contemporaneamente alla cuffia due dispositivi per, ad esempio, riprodurre musica con uno e telefonare con l'altro.
- Al momento della riaccensione o a seguito di un periodo di standby, la cuffia si ricollegherà all'ultimo dispositivo cui era connessa se quest'ultimo si trova acceso entro il raggio d'azione. Altri dispositivi non verranno connessi automaticamente, ma sarà necessario farlo manualmente agendo dalle rispettive impostazioni Bluetooth.
- Se si disconnessa, premendo il tasto Bluetooth in qualsiasi momento la cuffia tenderà di ricollegarsi all'ultimo dispositivo connesso se disponibile entro il raggio d'azione.

- Per disconnettere un dispositivo Bluetooth dalla PX premere il tasto Bluetooth due volte in rapida successione. Ciò scollegherà tutti i dispositivi Bluetooth connessi. La cuffia emetterà un segnale acustico quando il Bluetooth viene disattivato.
- I dispositivi abbinati alla cuffia possono essere cancellati dalla memoria premendo e mantenendo premuti per 2 secondi i tasti Volume – e Bluetooth. Una volta cancellata la memoria l'indicatore lampeggerà e la cuffia verrà riavviata.

7. Controllo della riproduzione via Bluetooth

I tasti Riproduzione/Pausa, Volume + e Volume – possono essere utilizzati per controllare la riproduzione audio via Bluetooth.

- Per alzare il volume premere il tasto Volume +.
- Per abbassare il volume premere il tasto Volume –.
- Per avviare la riproduzione o metterla momentaneamente in pausa premere brevemente il tasto Riproduzione/Pausa.
- Per passare alla traccia successiva premere due volte in rapida successione il tasto Riproduzione/Pausa.
- Per tornare alla traccia precedente premere tre volte in rapida successione il tasto Riproduzione/Pausa.

8. Ascolto in condizioni reali

Il filtro ambiente della PX consente di attivare la cancellazione del rumore. Tale filtro (normalmente disattivato) si avvia premendo il relativo tasto sul lato del padiglione dell'auricolare destro. Sono disponibili tre differenti opzioni con caratteristiche di cancellazione del rumore ottimizzate per ambienti diversi, come Ufficio, Città, Aereo, selezionabili tramite l'applicazione Bowers & Wilkins Headphones. Il tasto consente di attivare o disattivare il filtro ambiente selezionando l'ultimo profilo di filtratura utilizzato.

La funzione di passaggio delle voci permette di lasciar arrivare all'ascoltatore taluni suoni dell'ambiente circostante, come conversazioni, annunci o segnalazioni di sicurezza, in modo chiaro senza necessità di togliersi la cuffia. L'attivazione della funzione e la regolazione del livello delle voci percepite avviene attraverso l'applicazione Bowers & Wilkins Headphones.

Nota: Le funzioni di cancellazione del rumore e passaggio delle voci sono attive anche quando la cuffia non riproduce segnali audio. Durante la riproduzione il grado di intellegibilità delle voci che giungono all'ascoltatore dipende dal tipo di musica e dal livello al quale viene ascoltata.

Nota: Se si indossano occhiali, questi possono distorcere il profilo delle orecchie interferendo con le prestazioni del filtro ambiente. Allo stesso modo capelli intrappolati tra orecchie e auricolari possono compromettere il regolare funzionamento dei sensori di prossimità.

9. Utilizzo della PX con uno smartphone

La cuffia PX può essere utilizzata per effettuare conversazioni telefoniche quando connessa tramite Bluetooth ad uno smartphone.

- Per rispondere ad una chiamata in arrivo premere brevemente il tasto Riproduzione/Pausa.
- Per rifiutare una chiamata in arrivo premere e mantenere premuto per 2 secondi il tasto Riproduzione/Pausa.
- Per terminare una chiamata premere brevemente il tasto Riproduzione/Pausa.

Rispondendo ad una chiamata il flusso audio trasmesso via Bluetooth viene messo in pausa e riprende al termine della telefonata.

Nota: L'utilizzo della cuffia per conversazioni telefoniche necessita che la stessa sia connessa via Bluetooth al dispositivo utilizzato per effettuare o ricevere le chiamate.

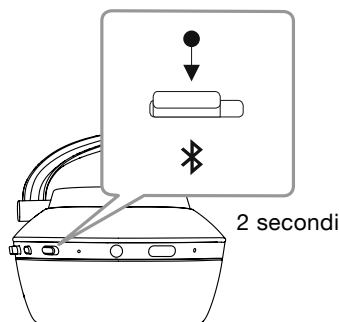


Figura 6
Attivazione manuale della modalità di abbinamento Bluetooth

10. Utilizzo della cuffia collegata via cavo

Oltre al funzionamento wireless, la PX può essere collegata ad una sorgente tramite i cavi audio con spinotti jack o USB forniti in dotazione.

Il collegamento via cavo audio con spinotti jack è utile quando la cuffia viene utilizzata a bordo di un aereo o con sorgenti sprovviste di Bluetooth, come, ad esempio, un sistema Hi-Fi tradizionale.

Nota: La PX deve essere accesa ed avere la batteria carica per riprodurre musica utilizzando il cavo audio.

Il collegamento USB consente alla PX di funzionare come dispositivo di uscita audio USB quando collegata a un computer.

Nota: I cavi audio e USB possono essere collegati contemporaneamente in modo da continuare la ricarica della batteria mentre si utilizza l'ingresso jack per riprodurre musica.

Il collegamento del cavo audio alla presa jack e l'utilizzo della PX sono descritti di seguito:

- Prendere un'estremità del cavo audio ed inserire lo spinotto nella presa jack situata nella parte inferiore del padiglione dell'auricolare destro. Assicurarsi che lo spinotto sia completamente inserito. Collegare l'altra estremità alla presa cuffia di un dispositivo di riproduzione audio.
- I controlli di volume della cuffia ed il tasto Riproduzione/Pausa non sono attivi quando si utilizza questo tipo di collegamento.
- Collegando un cavo audio si mette automaticamente in pausa lo streaming Bluetooth della PX. Per ripristinare il funzionamento del Bluetooth, scollegare il cavo audio estraendo il jack dal padiglione dell'auricolare destro.

Il collegamento del cavo USB all'omonima presa e l'utilizzo della PX sono descritti di seguito:

- Scollegare tutti i dispositivi Bluetooth premendo due volte in rapida successione il tasto Bluetooth sul padiglione dell'auricolare destro.

Nota: Per riprodurre file audio tramite USB è necessario scollegare il Bluetooth.

- Inserire la piccola spina USB-C nella presa sul lato inferiore del padiglione dell'auricolare destro. Collegare la spina USB-A più grande in una presa USB del computer. Se la presa USB del computer è alimentata, la batteria della PX inizia immediatamente a caricarsi.
- Selezionare la cuffia PX come dispositivo di riproduzione nel pannello di controllo dell'uscita audio del computer. I file audio selezionati nel software di riproduzione del computer verranno ora riprodotti in cuffia.
- I controlli di volume della cuffia ed il tasto Riproduzione/Pausa funzionano normalmente quando si impiega il collegamento USB.
- Per ripristinare le funzioni Bluetooth della cuffia premere il pulsante Bluetooth. La PX tenterà di collegarsi all'ultimo dispositivo connesso, se disponibile.

11. Aggiornamenti firmware

Il firmware della PX potrà occasionalmente essere soggetto ad aggiornamenti per migliorare le prestazioni della cuffia ed aggiungere nuove funzionalità.

Quando si dovesse rendere disponibile un aggiornamento del firmware, verrà notificato tramite l'applicazione Bowers & Wilkins Headphones. Toccare la notifica per avviare l'aggiornamento.

Nota: La cuffia e il dispositivo mobile devono rimanere accesi e nelle immediate vicinanze durante l'aggiornamento del firmware. È importante inoltre che la carica residua della batteria della cuffia sia sufficiente per completare il processo di aggiornamento. L'applicazione indicherà se la carica della batteria è insufficiente per completare le operazioni di aggiornamento.

12. Ripristino e riavvio

La cuffia può essere riportata alle impostazioni predefinite utilizzando l'opzione di ripristino alle condizioni di fabbrica presente nell'applicazione Bowers & Wilkins Headphones, oppure può essere riavviata premendo il relativo tasto sotto al piccolo foro all'interno dell'auricolare destro evidenziato in Figura 1.

Per accedere al tasto di riavvio servirsi di un graffetta aperta o di altro oggetto a punta. Premere e mantenere premuto il tasto per 2 secondi. La cuffia si spegnerà durante il processo di riavvio. Riaccenderla per completare l'operazione.

Nota: Effettuando il riavvio tramite il relativo tasto non viene cancellato l'elenco dei dispositivi Bluetooth precedentemente abbinati.

13. Pulizia

Pulire la cuffia con un panno morbido e asciutto. Tamponare le parti in pelle evitando di strofinarle. Non utilizzare detergenti o pulitori per la pelle in quanto potrebbero danneggiare la finitura.

Nota: I cuscinetti in pelle degli auricolari sono fissati magneticamente e possono essere rimossi per la pulizia, se necessario, separandoli delicatamente dal padiglione dell'auricolare.

Figura 7 Segnalazioni dell'indicatore luminoso

Illuminazione	Indicazione
Verde (lampeggio lento)	Carica della batteria
Verde	Cuffia accesa, carica batteria > 50%
Giallo	Cuffia accesa, carica batteria > 30%
Rosso	Cuffia accesa, carica batteria < 30%
Rosso (lampeggio lento)	Batteria insufficiente per il corretto funzionamento della cuffia
Rosso (lampeggio veloce)	Spegnimento della cuffia
Blu	Connessione Bluetooth stabilita
Blu (lampeggio veloce)	Modalità di abbinamento Bluetooth
Blu (lampeggio lento)	Abbinamento Bluetooth in corso
Blu (lampeggio ripetuto)	Abbinamento Bluetooth fallito
Bianco	Filtro ambiente attivo

Figura 8 Funzioni dei tasti

Tasto	Azione	Funzione
Interruttore a slitta/Bluetooth	Scorrimento	Accensione
	Scorrimento e mantenimento posizione	Spegnimento
	Pressione e mantenimento posizione	Attivazione modalità di abbinamento
	Pressione	Collegamento all'ultimo dispositivo Bluetooth connesso
	Doppia pressione	Disconnessione da tutti i dispositivi Bluetooth
Interruttore a slitta/Bluetooth e Volume -	Pressione di entrambi e mantenimento posizione	Cancellazione memoria dei dispositivi Bluetooth precedentemente abbinati
Filtro ambiente	Pressione	Attivazione/disattivazione del tipo di filtro selezionato tramite l'applicazione
Volume +	Pressione	Aumento volume
Volume -	Pressione	Diminuzione volume
Riproduzione/Pausa	Pressione	Avvio o pausa della riproduzione
	Doppia pressione	Passaggio alla traccia successiva
	Tripla pressione	Passaggio alla traccia precedente
<i>Nota: I controlli di volume ed il tasto Riproduzione/Pausa non sono attivi quando si utilizza il cavo audio con spinotti jack.</i>		
Riproduzione/Pausa	Pressione	Risposta ad una chiamata telefonica in arrivo o termine conversazione
	Pressione e mantenimento posizione	Rifiuto della chiamata in arrivo
<i>Nota: L'utilizzo della cuffia per conversazioni telefoniche necessita che la stessa sia connessa via Bluetooth al dispositivo utilizzato per effettuare o ricevere le chiamate.</i>		
Riproduzione/Pausa e Volume +	Pressione di entrambi	Attivazione/disattivazione segnali acustici

Caratteristiche tecniche

Caratteristiche tecniche:	<p>Cancellazione attiva del rumore con passaggio delle voci</p> <p>Bluetooth 4.1 con aptX HD</p> <p>Sensori integrati per il passaggio da riproduzione a pausa e accensione/standby</p> <p>Presse USB-C per riproduzione file audio e ricarica della batteria</p> <p>Batteria al litio ricaricabile</p> <p>Cuscinetti in schiuma automodellante ricoperti in morbida pelle</p> <p>Prestazioni sonore di elevate qualità</p> <p>Materiali e costruzione di primissimo livello</p> <p>Applicazione per dispositivi iOS ed Android dedicata</p> <p>Padiglioni auricolari ripiegabili</p>
Codec Bluetooth:	<p>aptX-HD</p> <p>AAC</p> <p>SBC</p>
Profili Bluetooth:	<p>A2DP v1.3</p> <p>AVRCP v1.6</p> <p>HFP v1.6</p> <p>HSP v1.2</p> <p>GAP</p> <p>SDAP</p> <p>DIP</p>
Trasduttori:	2 x 40 mm ø a gamma intera
Gamma di frequenze:	10 Hz – 20 kHz
Impedenza d'ingresso:	22 Ohm
Distorsione (THD):	<0,3% (1 kHz/10 mW)
Efficienza:	111 dB/V a 1 kHz
Durata della batteria:	<p>22 ore con Bluetooth e cancellazione rumore attivati,</p> <p>29 ore con solo Bluetooth attivato,</p> <p>33 ore con collegamento cablato e cancellazione rumore attivata,</p> <p>50 ore con solo collegamento cablato.</p>
Ingressi:	Bluetooth, jack stereo 3,5 mm, USB-C audio
Accessori in dotazione:	Cavo audio con jack stereo da 1,2 m, cavo USB-A > USB-C da 1,2 m, custodia protettiva
Peso:	335 g

Welkom bij Bowers & Wilkins en de PX draadloze hoofdtelefoon

Dank u wel voor uw keuze voor Bowers & Wilkins. Toen John Bowers zijn bedrijf oprichtte, was hij ervan overtuigd dat hij de consument met fantasierijke ontwerpen, innovatieve engineering en geavanceerde technologie meer van audio in de thuisomgeving zou kunnen laten genieten. Wij delen deze overtuiging nog altijd; elk product dat wij ontwerpen is hierop geïnspireerd.

De PX is een hoogwaardige hoofdtelefoon die een optimale persoonlijke geluidservaring combineert met draadloos gemak en de rust van actieve ruisonderdrukking: Active Noise Cancellation (ANC). In deze handleiding staat alles wat u moet weten om optimaal van uw PX te kunnen genieten.

U kunt uw PX draadloos gebruiken om via Bluetooth muziek vanaf een smartphone, tablet of computer te streamen, of u kunt hem gewoon met een audiokabel op een geschikte hoofdtelefoonuitgang aansluiten. Met uw PX kunt u ook geluid vanaf een computer via een USB-verbinding weergeven, en u kunt hem voor draadloze telefonie gebruiken.

De PX bevat speciale 'Real World Listening'-functies voor gebruik in een omgeving met andere gebruikers, waaronder omgevingsfilters en een Voice Pass-through-functie om gesproken geluid door te laten. Ruisonderdrukking via een omgevingsfilter is optioneel en kan met een knop op de hoofdtelefoon worden in- of uitgeschakeld. De Voice Pass-through-functie maakt het mogelijk om geluid van buitenaf, zoals gesprekken of veiligheidsmeldingen, duidelijk te horen, zonder de hoofdtelefoon te hoeven afzetten. De omgevingsfilters en Voice Pass-through worden ingeschakeld via de iOS- en Android-app die beschikbaar is voor de PX. Via de app kunnen ook bepaalde kenmerken van de hoofdtelefoon worden aangepast.

De PX heeft een oplaadbare accu. Als de accu volledig geladen is (en afhankelijk van de mate van gebruik van Bluetooth, het omgevingsfilter en Voice Pass-through), kan de PX tot 22 uur gebruikt worden op een gemiddelde geluidsterkte.

1. Inhoud verpakking PX

- i. PX draadloze hoofdtelefoon
- ii. USB-laadkabel
- iii. Audiokabel
- iv. Hoes
- v. Documentatie

Milieu-informatie

Dit product voldoet aan internationale regelgeving, zoals onder andere de BGS-richtlijn inzake beperkingen op het gebruik van bepaalde gevaarlijke stoffen in elektrische en elektronische apparatuur, de REACH-verordening inzake de registratie en beoordeling van en de autorisatie en beperkingen ten aanzien van chemische stoffen en de AEEA-richtlijn betreffende afgedankte elektrische en elektronische apparatuur. Neem contact op met de lokale instantie die verantwoordelijk is voor afvalverwerking voor informatie over hoe u dit product op de juiste wijze kunt recyclen of afdanken.

2. Uw PX leren kennen

Nadat u uw PX hebt ingeschakeld via de schuifknop op de rechteroorschelp kunt u uw PX besturen via de Afspelen/Pauze- en Volumeknoppen die zich ook op de rechteroorschelp bevinden. Het volume van de hoofdtelefoon en het afspelen van muziek is ook te regelen via een aangesloten Bluetooth- of USB-apparaat.

Een indicator naast de Bluetooth-knop geeft de verbindingstatus en het accuniveau aan. De hoofdtelefoon laat ook geluidssignalen voor bepaalde commando's en gebeurtenissen horen.

N.B.: Afbeelding 7 is een tabel met de diverse indicatormeldingen en betekenissen.

N.B.: U kunt het weergeven van geluidssignalen in- of uitschakelen door tegelijkertijd op de knoppen Afspelen/Pauze en Volume + te drukken.

Aan de onderkant van de rechteroorschelp bevinden zich een USB- en een audio-aansluiting. Ook heeft de rechteroorschelp een verborgen herstartknopje onder het oorkussen.

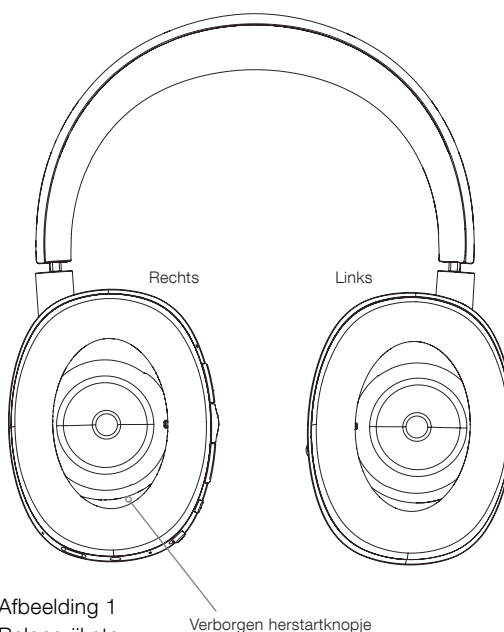
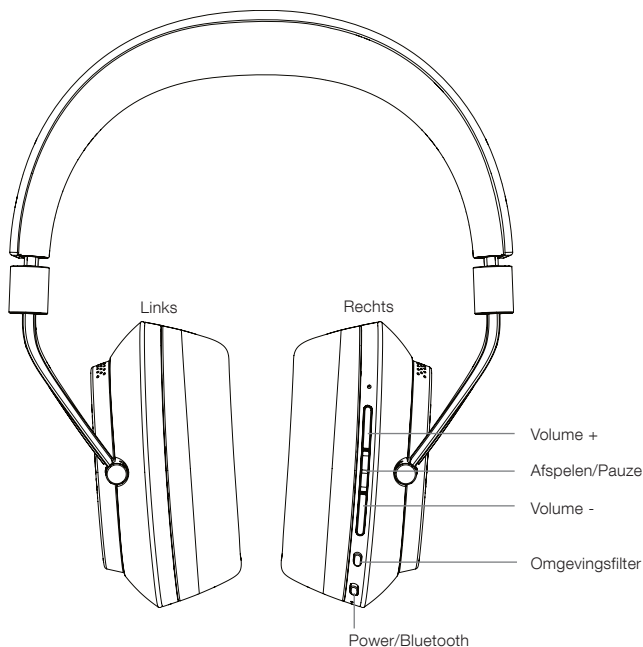
N.B.: Het aansluiten van de audio- en USB-kabels wordt in hoofdstuk 10 beschreven.

De naderingssensoren in de oorschelpen van de PX schakelen de hoofdtelefoon automatisch naar stand-by en verbreken twee minuten nadat u de PX afzet de verbinding met eventueel gekoppelde Bluetooth-apparaten. Als u de PX weer opzet, schakelt hij automatisch weer in vanuit stand-by en maakt hij verbinding met het laatste Bluetooth-apparaat waarmee hij verbonden was.

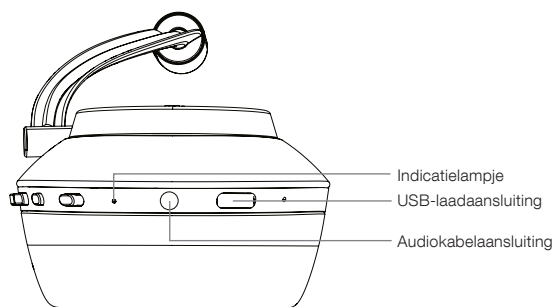
Een drukknop naast de aan/uit-knop schakelt het omgevingsfilter in. Als het omgevingsfilter is ingeschakeld, werkt dit op alle drie de hoofdtelefooningangen: Bluetooth, USB-ingang en audio-ingang.

N.B.: De knopfuncties staan in afbeelding 8 vermeld.

De app van Bowers & Wilkins biedt uitgebreide instel- en bedieningsfuncties waaronder omgevingsfilters en Voice Pass-through, afstelling en het kiezen van de bedrijfsstand. Ook kan de gevoeligheid van de nabijheidssensoren in de oorschelpen met de app worden geregeld. De app is gratis te downloaden voor iOS- en Android-apparaten.



Afbeelding 1
Belangrijkste kenmerken



Afbeelding 2
Aanzicht van de onderkant

3. Accu laden

Bij aflevering is de accu van de PX geladen, zodat hij direct gereed is voor gebruik. Het is echter een goed gebruik om de accu eerst helemaal te laden alvorens deze hoofdtelefoon de eerste keer te gebruiken. De accu van de PX is binnen 3 uur volledig geladen. De PX kan tijdens het laden gewoon gebruikt worden.

N.B.: Als de PX wordt ingeschakeld, laat de indicator eerst het accupeil zien. Groen geeft aan dat de accu voor meer dan 50% geladen is. Geel geeft aan dat de accu tussen de 50% en 30% geladen is. Rood geeft aan dat de accu nog maar voor minder dan 30% geladen is. Als de indicator rood knippert, is de acculading te zwak om de PX te gebruiken. De diverse indicatorsignalen en -betekenissen worden in afbeelding 7 getoond.

Het laden van de accu wordt hieronder beschreven:

- Sluit de hoofdtelefoon met de meegeleverde USB-laadkabel op een geschikte USB-poort aan: een USB-uitgang op een computer, een netadapter met een USB-aansluiting of een auto-oplader.
- Tijdens het laden knippert de indicator op de hoofdtelefoon groen. Naarmate de lading hoger wordt, blijft de knipperende led steeds langer vol branden. Als de accu volledig geladen is, blijft de indicator branden.

4. Uw hoofdtelefoon dragen

Als u deze hoofdtelefoon op de juiste wijze gebruikt, kan hij optimaal presteren. Bepaal eerst welke oorschelp links en welke rechts is. De markeringen daarvoor zijn onderaan aan de binnenkant van de hoofdband te vinden, zoals te zien is in afbeelding 3.

Zet de hoofdtelefoon op en stel de hoofdband daarbij zo af dat elke oorschelp comfortabel over uw oor past, zoals te zien is in afbeelding 4. Zorg ervoor dat de oorschelpen niet omhoog trekken en onnodige druk op uw hoofd geven.

Wij adviseren u de hoofdtelefoon na gebruik op te vouwen en in de hoes op te bergen.

N.B.: Als u een bril draagt die het profiel van uw oren vervormt, kan dit de prestaties van het omgevingsfilter van de hoofdtelefoon beïnvloeden. Ook kan haar tussen uw oren en de oorschelpen de werking van de naderingssensoren beïnvloeden.

5. In- en uitschakelen

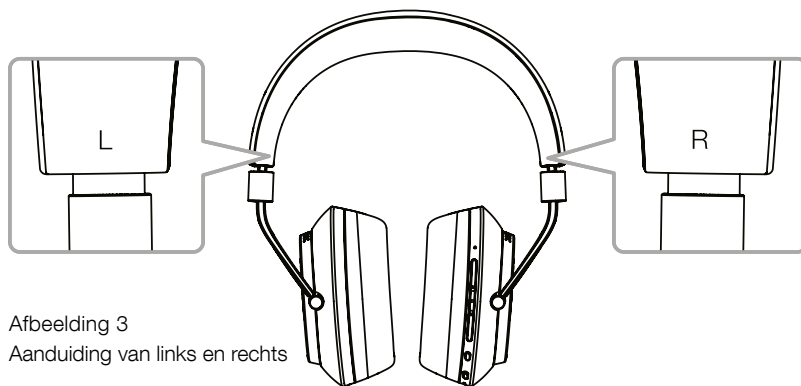
Schakel uw PX in door de aan/uit-knop opzij te schuiven, zoals te zien is in afbeelding 5.

Omdat uw PX zo ontworpen is dat hij slim naar stand-by schakelt en de verbinding met Bluetooth verbreekt als hij niet in gebruik is en weer actief wordt als u hem weer opzet, hoeft u hem eigenlijk nooit uit te schakelen. Mocht u hem echter toch willen uitschakelen, verschuif de aan/uit-knop dan en houd deze ongeveer twee seconden in deze stand vast. De indicator gaat rood knipperen om het uitschakelen te bevestigen.

De hoofdtelefoon laat bij het in- en uitschakelen een geluidssignaal horen.

N.B.: Als u uw PX ingeschakeld laat en deze meer dan twee minuten niet actief is, schakelt hij automatisch naar stand-by om de accu te sparen.

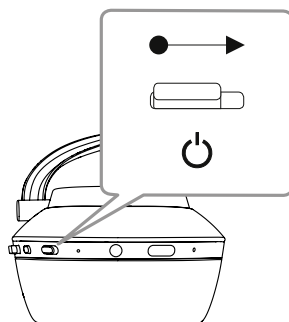
N.B.: De gevoeligheid van de naderingssensoren in de oorschelpen die het inschakelen en naar stand-by schakelen regelen, kan binnen de app voor deze hoofdtelefoon worden ingesteld.



Afbeelding 3
Aanduiding van links en rechts



Afbeelding 4
De oorschelp afstellen



Afbeelding 5
Inschakelen

6. Bluetooth koppelen

Om de PX op een bronapparaat met Bluetooth, zoals uw mobiele telefoon, aan te sluiten, moet hij eerst met dat apparaat "gekoppeld" worden. Na het koppelen "onthouden" het Bluetooth-apparaat en de hoofdtelefoon elkaar en kunnen ze zodra ze binnen elkaars bereik zijn verbinding met elkaar maken zonder opnieuw te hoeven koppelen.

De eerste keer dat u uw PX inschakelt, start hij in de stand voor het koppelen van Bluetooth. Ga als volgt te werk om een apparaat te koppelen:

- Controleer of de hoofdtelefoon is ingeschakeld en in de koppelstand staat. De indicator gaat blauw knipperen.
- Open de Bluetooth-instellingen op het te koppelen apparaat en controleer of Bluetooth is ingeschakeld. 'PX Bowers & Wilkins' verschijnt als beschikbaar Bluetooth-apparaat. Selecteer 'PX Bowers & Wilkins' en sluit de Bluetooth-instellingen.
- Tijdens het koppelen knippert het indicatielampje op de hoofdtelefoon blauw; het gaat constant blauw branden als de koppeling geslaagd is. De hoofdtelefoon laat ook een geluidssignaal horen als de koppeling met Bluetooth tot stand gebracht is.
- Zorg daarna dat de hoofdtelefoon als weergave-apparaat wordt geselecteerd in de muziek-apps.

U kunt uw hoofdtelefoon met nog meer apparaten koppelen door hem handmatig in de stand voor het koppelen te schakelen: Dit is te zien in afbeelding 6.

- Druk, als de hoofdtelefoon is ingeschakeld, de gecombineerde Bluetooth / Aan/Uit-knop recht in en houd hem twee seconden ingedrukt. Het indicatielampje gaat blauw knipperen en de hoofdtelefoon laat een geluidssignaal horen zodra hij in de koppelstand schakelt.
- Ga weer naar het scherm met de Bluetooth-instellingen van het apparaat dat u met de hoofdtelefoon wilt koppelen en zoek 'PX Bowers & Wilkins' op in de lijst. Raak dit aan en de twee apparaten worden met elkaar gekoppeld.

N.B.: Uw hoofdtelefoon verlaat de Bluetooth-koppelstand vanzelf als er niet binnen vijf minuten een apparaat gekoppeld wordt.

N.B.: Het koppelen lukt niet altijd. In dat geval knippert de indicator op de hoofdtelefoon blauw met tussenpozen van twee seconden. Probeer het opnieuw, maar dan met de twee apparaten dichter bij elkaar.

6.1 Opmerkingen over koppelen via Bluetooth

- Uw PX onthoudt maximaal acht gekoppelde Bluetooth-apparaten. Het is mogelijk dat twee apparaten tegelijkertijd verbonden zijn, bijvoorbeeld dat er muziek wordt afgespeeld vanaf het ene apparaat en telefoongesprekken via een ander apparaat binnenkomen.
- Als uw hoofdtelefoon opstart na enige tijd uitgeschakeld te zijn geweest of stand-by te hebben gestaan, wordt verbinding gemaakt met het laatste apparaat waarmee de hoofdtelefoon voorheen verbonden was, op voorwaarde dat dit ingeschakeld is en binnen bereik is. Andere gekoppelde apparaten maken niet automatisch verbinding, maar moeten via hun Bluetooth-instellingen geselecteerd worden om verbinding te maken.
- Als er geen verbinding met een Bluetooth-apparaat is, kunt u de Bluetooth-knop op de hoofdtelefoon indrukken om zo mogelijk weer verbinding te maken met het laatste apparaat waarmee de hoofdtelefoon verbonden was.

- Om de verbinding met een Bluetooth-bronapparaat te verbreken, drukt u twee keer snel na elkaar op de Bluetooth-knop op de PX. Alle koppelingen met Bluetooth-apparaten worden hiermee verbroken. De hoofdtelefoon laat een geluidssignaal horen als de koppeling met Bluetooth verbroken wordt.
- Het geheugen voor met de hoofdtelefoon gekoppelde apparaten kan worden gewist door de Bluetooth-knop en de knop Volume – tegelijkertijd 2 seconden ingedrukt te houden. De indicator gaat knipperen en uw hoofdtelefoon start opnieuw op.

7. Het streamen van muziek via Bluetooth besturen

Met de knoppen voor afspelen/pauzeren, Volume + en Volume - op de PX kunt u het streamen van muziek en het volume besturen:

- U kunt het volume verhogen door de knop Volume + in te drukken.
- U kunt het volume verlagen door de knop Volume – in te drukken.
- U kunt het afspelen van muziek starten of pauzeren door op de knop voor afspelen/pauzeren te drukken en deze weer los te laten.
- U kunt het volgende nummer selecteren door twee keer snel na elkaar op de knop voor afspelen/pauzeren te drukken.
- U kunt het vorige nummer selecteren door drie keer snel na elkaar op de knop voor afspelen/pauzeren te drukken.

8. Real World Listening – luisteren in een omgeving met andere gebruikers

U kunt de ruisonderdrukking door het omgevingsfilter van de PX inschakelen door de knop voor het omgevingsfilter aan de zijkant van de rechteroorschelp in te drukken. Het omgevingsfilter is standaard uitgeschakeld. Er zijn drie omgevingsfilterprofielen beschikbaar om de geluidsonderdrukking op verschillende omgevingen af te stemmen. U selecteert deze via de app van Bowers & Wilkins. Met de aan/uit-knop voor het omgevingsfilter op de rechteroorschelp selecteert u het laatst gebruikte geluidsonderdrukkingsprofiel.

De Voice Pass-through-functie van de PX maakt het mogelijk om geluid van buitenaf, zoals gesprekken of veiligheidsmeldingen, duidelijk te horen, zonder de hoofdtelefoon te hoeven afzetten. U selecteert deze functie via de app van Bowers & Wilkins.

N.B.: Voor het omgevingsfilter en voor Voice Pass-through hoeft er op de hoofdtelefoon niet naar een geluidssignaal geluisterd te worden. Als er op de hoofdtelefoon naar muziek of ander geluid wordt geluisterd, is de hoorbaarheid van het gesproken geluid dat via Voice Pass-through wordt doorgegeven altijd tot op zekere hoogte afhankelijk van het karakter en het volume van het gesproken geluid.

N.B.: Als u een bril draagt die het profiel van uw oren vervormt, kan dit de prestaties van het omgevingsfilter van de hoofdtelefoon beïnvloeden. Ook kan haar tussen uw oren en de oorschelpen de werking van de naderingssensoren beïnvloeden.

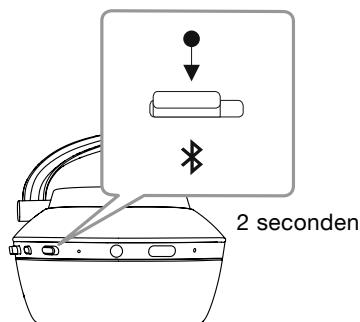
9. Gebruik met een mobiele telefoon

U kunt uw PX met een via Bluetooth verbonden mobiele telefoon gebruiken om telefoongesprekken te voeren:

- U kunt een gesprek opnemen door op de knop voor afspelen/pauzeren te drukken en deze weer los te laten.
- Als u een gesprek niet wilt aannemen, drukt u twee seconden op de knop voor afspelen/pauzeren.
- U kunt ophangen door op de knop voor afspelen/pauzeren te drukken en deze weer los te laten.

Als er via Bluetooth muziek wordt gestreamd terwijl u een telefoongesprek aanneemt, wordt het afspelen gepauzeerd. Het streamen gaat weer verder als het gesprek beëindigd wordt.

N.B.: De telefoonfuncties werken alleen als de hoofdtelefoon via Bluetooth is aangesloten.



Afbeelding 6
Handmatig naar de koppelstand voor Bluetooth schakelen

10. Bekabelde aansluiting

U kunt uw PX draadloos gebruiken, maar u kunt hem ook met de bijgeleverde audio- en USB-kabels op een muziekbron aansluiten.

Aansluiten via de audiokabel is handig als de hoofdtelefoon aan boord van een vliegtuig of met een audiobron zonder Bluetooth, zoals een traditionele hi-fi-installatie, gebruikt wordt.

N.B.: Voor het laten horen van via een audiokabel aangevoerd geluid, moet de accu van uw PX geladen zijn en moet de hoofdtelefoon ingeschakeld zijn.

Via de USB-aansluiting kunt u op uw PX naar geluid vanaf een geschikte computer luisteren als deze via USB is aangesloten.

N.B.: De USB- en audiokabels kunnen tegelijkertijd worden aangesloten, zodat u de accu via USB kunt blijven laden terwijl de audio-ingang gebruikt wordt.

Het aansluiten van een audiokabel en het gedrag van de PX als deze kabel is aangesloten wordt hieronder beschreven:

- Steek de stekker van een uiteinde van de audiokabel in de ingang onderin de rechteroorschelp. Controleer of de stekker helemaal is ingestoken. Sluit het andere uiteinde van de kabel aan op de hoofdtelefooningang van het apparaat van waaraf u geluid wilt afspelen.
- De volumeknoppen en de knop Afspelen/Pauze van de hoofdtelefoon werken niet als de audiokabel is ingestoken.
- Bij het aansluiten van een audiokabel wordt het streamen van muziek via Bluetooth naar de PX automatisch gepauzeerd. U kunt het streamen herstellen door de stekker van de audiokabel uit de oorschelp te trekken.

Het aansluiten en gebruiken van een USB-kabel en het gedrag van de PX als de USB-ingang gebruikt wordt, wordt hieronder beschreven:

- Verbreek de verbinding met alle aangesloten Bluetooth-apparaten door de Bluetooth-knop op de rechteroorschelp tweemaal snel na elkaar in te drukken.

N.B.: Geluid kan alleen via USB worden weergegeven als de Bluetooth-verbinding verbroken is.

- Steek de kleine USB-stekker in de ingang aan de onderkant van de rechteroorschelp van de hoofdtelefoon. Steek de grotere USB-stekker in een USB-ingang van een computer. Als de USB-ingang van de computer stroom krijgt, wordt de accu van de hoofdtelefoon onmiddellijk geladen.
- Selecteer de PX als het apparaat waarop het geluid moet worden afgespeeld in het besturingspaneel voor de uitvoer van geluid van de computer. Geluid dat geselecteerd is in apps voor het weergeven van geluid van de computer is nu via uw PX te horen.
- Het volume van de hoofdtelefoon en de bedieningsfuncties voor Afspelen/Pauze werken normaal bij het afspelen van geluid via USB.
- U kunt de Bluetooth-functies van de hoofdtelefoon herstellen door te drukken op de Bluetooth-knop. De hoofdtelefoon probeert verbinding te maken met het apparaat waarmee hij als laatste was verbonden.

11. Firmware-update

Het is soms nodig de firmware van uw PX te updaten, als er nieuwe functies zijn toegevoegd en de software verbeterd is.

Als er een firmware-update beschikbaar is, verschijnt er een melding op de app. Raak de melding in de app aan om het updaten te starten.

N.B.: De hoofdtelefoon en het mobiele apparaat moeten ingeschakeld blijven en dicht bij elkaar in de buurt blijven tijdens het updaten van de firmware. Het is ook belangrijk dat de accu van de hoofdtelefoon nog voldoende geladen is om het updaten van de firmware tot een goed einde te brengen. De app geeft aan of de accu hiervoor nog voldoende geladen is.

12. De hoofdtelefoon resetten en herstarten

U kunt de fabrieksinstellingen van uw PX herstellen via de optie Factory Reset in de hoofdtelefoon-app of u kunt hem opnieuw starten door de verborgen herstartknop in de rechteroorschelp in te drukken. Deze knop is in afbeelding 1 te zien.

U kunt de herstartknop met een rechtgebogen paperclip indrukken. Houd hem twee seconden ingedrukt. De hoofdtelefoon schakelt zichzelf uit tijdens het herstarten. Schakel de hoofdtelefoon in om het herstarten te voltooien.

N.B.: Door herstarten met het verborgen herstartknopje worden de via Bluetooth gekoppelde apparaten niet uit het geheugen gewist.

13. Uw PX schoonmaken

U kunt uw PX met een vochtige doek schoondeppen. Wrijf niet met de doek over het leer. Gebruik geen reinigingsmiddelen of leerpoets, want deze kunnen uw hoofdtelefoon aantasten.

N.B.: De lederen onderdelen van de oorschelpen van de PX zijn met magneten bevestigd. U kunt ze zo nodig voorzichtig van de basis van de oorschelp trekken om ze schoon te maken.

Afbeelding 7 Lichtsignalen indicator

Lichtsignaal	Betekenis
Groen (langzaam knipperend)	Accu wordt geladen
Groen	Hoofdtelefoon aan, acculading > 50%
Geel	Hoofdtelefoon aan, acculading > 30%
Rood	Hoofdtelefoon aan, acculading < 30%
Rood (langzaam knipperend)	Acculading onvoldoende voor gebruik hoofdtelefoon
Rood (knipperend)	Hoofdtelefoon schakelt uit
Blauw	Er is een Bluetooth-verbinding
Blauw (knipperend)	Koppelstand Bluetooth actief
Blauw (langzaam knipperend)	Bluetooth koppelen bezig
Blauw (repetierend knipperen)	Bluetooth koppelen mislukt
Wit	Omgevingsfilter actief

Afbeelding 8 Knopfuncties

Knop	Handeling	Functie
Aan/Uit/Bluetooth	Schuiven	Inschakelen
	Schuiven en vasthouden	Uitschakelen
	Ingedrukt houden	De koppelstand openen
	Indrukken	Met het als laatste verbonden Bluetooth-apparaat verbinden
Aan/uit/Bluetooth en Volume -	2 x indrukken	De verbinding met alle Bluetooth-apparaten verbreken
	Allebei ingedrukt houden	Bluetooth-apparaatgeheugen wissen
Omgevingsfilter	Indrukken	De laatste instelling voor het omgevingsfilter die in de app geselecteerd was in- of uitschakelen
Volume +	Indrukken	Volume verhogen
Volume -	Indrukken	Volume verlagen
Afspelen/Pauzeren	Indrukken	Muziek afspelen of pauzeren
	2 x indrukken	Volgend nummer afspelen
	3 x indrukken	Vorig nummer afspelen

N.B.: De volumeknoppen en de knop Afspelen/Pauze van de hoofdtelefoon werken niet als de audiokabel is ingestoken.

Afspelen/Pauze	Indrukken	Een telefoongesprek opnemen of beëindigen
	Ingedrukt houden	Een telefoongesprek weigeren

N.B.: De telefoonfuncties werken alleen als de hoofdtelefoon via Bluetooth is aangesloten.

Afspelen/Pauze en Volume +	Allebei indrukken	Geluidssignalen in-/uitschakelen
----------------------------	-------------------	----------------------------------

Specificaties

Technische kenmerken:	<p>Adaptive Noise Cancellation en Voice Pass-through</p> <p>Bluetooth audio – Bluetooth 4.1 met aptX-HD</p> <p>Ingebouwde sensoren voor afspelen/pauze/aan/uit</p> <p>Audio-interface en accu laden via USB-C</p> <p>Oplaadbare lithiumaccu</p> <p>Kussens van zacht leer en geheugenschuim</p> <p>Akoestiek van wereldklasse</p> <p>Premium materiaal en degelijke constructie</p> <p>Mobiele app voor persoonlijke audioweergave</p> <p>Plat op te vouwen</p>
Bluetooth-codecs:	<p>aptx-HD</p> <p>AAC</p> <p>SBC</p>
Bluetooth-profielen:	<p>A2DP v1.3</p> <p>AVRCP v1.6</p> <p>HFP v1.6</p> <p>HSP v1.2</p> <p>GAP</p> <p>SDAP</p> <p>DIP</p>
Drivers:	2 x 40mm volledig bereik
Frequentiebereik:	10 Hz tot 20 kHz
Ingangsimpedantie	22 ohm
Vervorming (THD):	<0,3% (1 KHz / 10 mW)
Gevoeligheid:	111 dB/V bij 1 kHz
Accu duur:	Tot 22 uur BT/ANC, tot 29 uur BT/zonder ANC, tot 33 uur bekabeld met ANC, tot 50 uur bekabeld zonder ANC.
Ingangen:	Bluetooth, 3,5mm-stereo aansluiting, USB-C audio
Bijgesloten accessoires:	Stereo-audiokabel van 1,2 m, kabel voor USB-A naar USB-C van 1,2 m. Hoes
Gewicht:	335 g

Vítejte u Bowers & Wilkins

Děkujeme Vám, že jste si zvolili značku Bowers & Wilkins. Když John Bowers zakládal naši firmu, věřil, že nápadité provedení, novátorský přístup a pokročilé technologie jsou klíčem otevírajícím dveře kvalitní reprodukci. Touto filozofií se dodnes inspirujeme, kdykoli tvoříme nový produkt.

PX jsou špičková sluchátka přes uši, umožňující vychutnávat si zvuk ve vysoké kvalitě a díky technologiím pro bezdrátový provoz a potlačení okolního hluku nabízejí skvělý komfort. Tento manuál vám poskytne všechny informace potřebné k tomu, abyste ze sluchátek PX vytěžili maximum.

Sluchátka PX lze využít pro přehrávání hudby bezdrátově streamované z vašeho mobilního telefonu, tabletu či počítače, nebo je můžete připojit klasicky po kabelu do patřičného sluchátkového výstupu. Sluchátka PX mohou být také k vašemu počítači pro přehrávání hudby připojena po USB a lze je využít i pro bezdrátové telefonování.

Technologie Real World Listening zahrnuje u sluchátek PX funkce Environment Filter (potlačení okolního hluku) a Voice Pass-through (průchod hlasu). Environment Filter je v podstatě funkce aktivního potlačení okolního hluku, která je však volitelná a lze ji snadno zapnout/vypnout. Funkce Voice Pass-through umožňuje čistě slyšet některé zvuky, jako např. konverzaci či bezpečnostní hlášení, bez nutnosti sundávání sluchátek. Funkce Environment Filter a Voice Pass-through jsou dostupné přes aplikaci Headphone pro iOS a Android. Tato aplikace také umožňuje doladovat charakteristiku sluchátek.

Sluchátka PX jsou vybavena dobíjecím akumulátorem. Při plném dobití je možné docílit až 22h dobu provozu při průměrné hlasitosti, záleží však také na stupni použití funkcí Bluetooth, Environment Filter a Voice Pass-through.

1. Balení sluchátek PX obsahuje

- i. Bezdrátová sluchátka PX
- ii. USB kabel pro nabíjení
- iii. Klasický audio kabel
- iv. Úložné pouzdro
- v. Balíček dokumentů

Informace k životnímu prostředí

Tento produkt je konstruován s ohledem na nejen tyto mezinárodní předpisy – RoHS (Restriction of Hazardous Substances) jenž se týká omezení nebezpečných látek v elektrických a elektronických zařízeních, REACH (Registration, Evaluation, Authorisation and restriction of CHemicals), jenž se týká registrace, evaluace, autorizace a restrikce chemických látek a WEEE (Waste Electrical and Electronic Equipment), jenž se týká likvidací elektrického a elektronického zařízení. Více informací o tom, jak správně recyklovat nebo likvidovat tento výrobek, získáte od příslušného orgánu, který se zabývá likvidací odpadu.

2. Seznámení se sluchátky PX

Po zapnutí posuvným přepínačem na pravém sluchátku může být reprodukce u sluchátek PX ovládána pomocí tlačítek Play/Pause, Volume + a Volume – (hlasitost), která se nacházejí na stejném sluchátku. Hlasitost i přehrávání lze ovládat také na připojeném Bluetooth zařízení.

Kontrolka u tlačítka Bluetooth potom ukazuje stav připojení a úroveň nabití akumulátoru. Sluchátka také při některých povelích či akcích vydávají zvukové signály.

Poznámka: Stav kontrolky jsou vysvětleny na obrázku 7.

Poznámka: Zvuková upozornění je možné aktivovat či deaktivovat pomocí stisknutí a uvolnění tlačítek „play/pause“ a „volume +“ současně.

USB zdiřka a vstup pro klasický audio kabel se nacházejí na spodní straně pravého sluchátka. Na pravém sluchátku je také tlačítko pro restart (malý otvor pro špendlík či kancelářskou svorku).

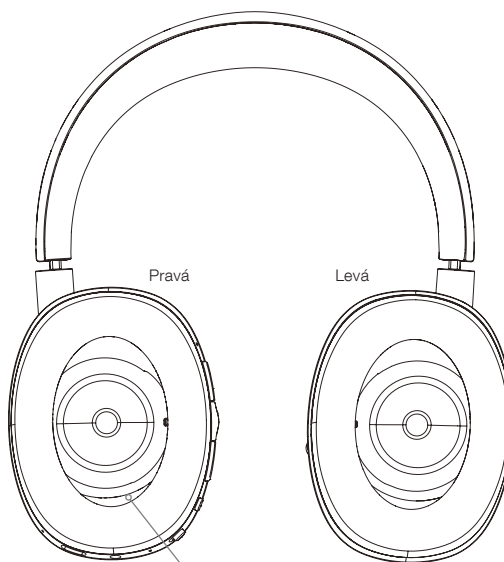
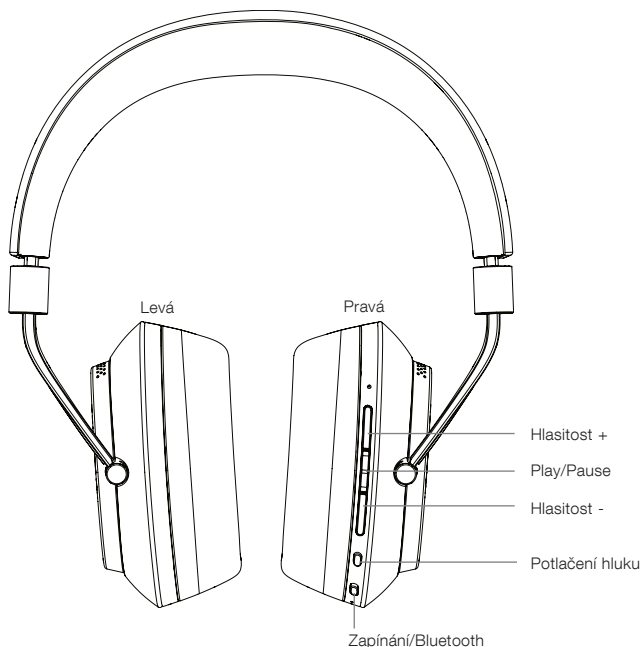
Poznámka: Připojení audio kabelu a USB kabelu je popsáno v části 10.

Sluchátka PX jsou v náušnicích vybavena dotykovými senzory, takže dokážou automaticky přejít do pohotovostního režimu (standby) a odpojit se od jakýchkoli připojených Bluetooth zařízení po dvou minutách od sejmutí z hlavy. Stejně tak se po nasazení na hlavu dokážou z pohotovostního stavu probudit a připojit k naposledy použitému Bluetooth zařízení.

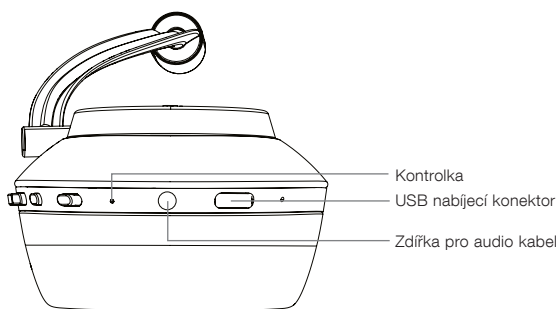
Stiskem tlačítka vedle zapínání/vypínání lze aktivovat či deaktivovat funkci potlačení okolního hluku (Environment Filter). Je-li tato funkce aktivována, pracuje Environment Filter na všech třech vstupech: Bluetooth, USB a audio kabel (jack).

Poznámka: Funkce tlačítka jsou popsány na obrázku 8.

Bowers & Wilkins Headphone aplikace umožňuje funkce rozšířeného nastavování a ovládání, včetně přizpůsobení a volby režimu Environment Filter a Voice Pass-through. Pomocí aplikace lze také doladovat citlivost dotykových senzorů ve sluchátkách. Aplikaci lze zdarma stáhnout pro iOS a Android zařízení.



Obrázek 1
Hlavní funkce



Obrázek 2
Spodní pohled

3. Nabíjení akumulátoru

Sluchátka PX jsou expedována s částečně nabitým akumulátorem a lze je tedy hned používat. Nicméně přesto se před prvním použitím doporučuje plně akumulátor nabít. Nabíjení do plného stavu akumulátoru sice zabere zhruba 3 hodiny, nicméně sluchátka PX lze používat i během dobíjení.

Poznámka: Jsou-li sluchátka PX zapnuta, zobrazuje stav nabití akumulátoru jednoduchým způsobem LED kontrolka. Zelená znamená, že akumulátor je nabit na více než 50%. Žlutá znamená nabití mezi 50% až 30%. Červená pak znamená nabití pod 30%. Pokud kontrolka červeně bliká, znamená to velmi nízký stav pro práci sluchátek a je třeba akumulátor nabít. Stavy kontrolky jsou popsány na obrázku 7.

Pro nabíjení sluchátek PX postupujte podle níže uvedených instrukcí.

- Pomocí dodávaného USB kabelu připojte sluchátka do napájeného USB terminálu – ať již se jedná o USB zdířku v počítači, AC adaptéru či automobilu.
- Během dobíjení bude LED kontrolka blikat zeleně. Se zvyšujícím se dobitím budou periody blikání delší, až při plném dobití zůstane kontrola zeleně svítit stále.

4. Nošení sluchátek PX

Správné používání vašich sluchátek pomůže k plnému využití jejich zvukového potenciálu. Nejprve je třeba identifikovat, které sluchátko je levé a které pravé. Identifikační znaky jsou vyznačeny na kloubech sluchátek, jak znázorňuje obrázek 3.

Nasaďte si sluchátka na hlavu a hlavový most upravte vysunutím tak, aby vám náušníky seděly pohodlně přes celé uši, jak je znázorněno na obrázku 4. Ujistěte se, zda se vám náušníky neposouvají směrem dopředu a nezpůsobují tím zbytečný tlak na vaši hlavu.

Doporučujeme, abyste sluchátka po poslechu opět skladovali v jejich pouzdru.

Poznámka: Nošení brýlí, které ovlivňují tvar vašich ušních boltců, může způsobit chybnou funkci systému pro potlačení okolního hluku (Environment Filter). Stejně tak například husté vlasy mezi uchem a náušníkem mohou zhoršovat činnost dotekových čidel v náušníku.

5. Zapínání a vypínání

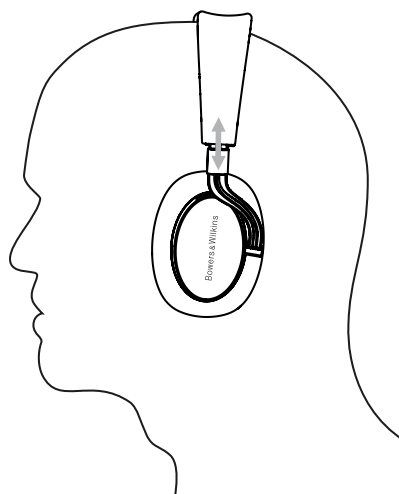
Pro zapnutí sluchátek PX posuňte přepínačem Power do strany, jak je znázorněno na obrázku 5. Sluchátka PX jsou navržena tak, že když je sundáte, přejdou automaticky do pohotovostního režimu (standby) a odpojí se od Bluetooth.. Stejně tak se po nasazení na hlavu z pohotovostního stavu probudí. Není tedy nutné je vypínat, nicméně chcete-li tak učinit, posuňte přepínačem Power do strany a podržte jej tak po 1-2 vteřiny. Vypnutí bude potvrzeno červeným blikáním kontrolky.

Poznámka: Pokud sluchátka PX odložíte v zapnutém stavu, dojde u nich po uplynutí dvou minut k automatickému vypnutí, aby se šetřil akumulátor.

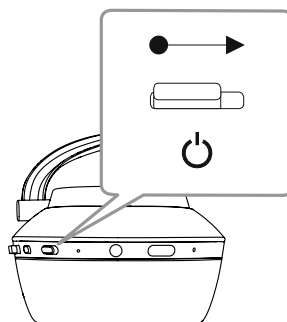
Poznámka: citlivost dotykových senzorů, které jsou umístěny v náušnicích a slouží pro automatické zapínání a vypínání standby, lze nastavovat v aplikaci.



Obrázek 3
Identifikace pravého a levého sluchátka



Obrázek 4
Doladění pozic náušníků



Obrázek 5
Zapínání

6. Bluetooth párování

Pro bezdrátové Bluetooth připojení je třeba nejprve sluchátka PX s Bluetooth zařízením (např. telefonem) „spárovat“. Po tomto párování si jak Bluetooth audio zařízení, tak i sluchátka informace zapamatují a bude je možné připojit, kdykoli budou v dosahu.

Při prvním zapnutí po vybalení, naběhnou sluchátka PX rovnou do režimu Bluetooth párování. Pro párování s nějakým zařízením postupujte následovně:

- Zkontrolujte, zda jsou sluchátka PX zapnuta a jsou v párovacím režimu. Kontrolka by měla modře blikat.
- Na zdrojovém Bluetooth zařízení otevřete menu pro nastavení Bluetooth a ověřte, zda je Bluetooth zapnuto. V nabídce dostupných zařízení by se vám měla objevit PX Bowers & Wilkins. Zvolte je a zavřete nastavovací menu.
- Bluetooth kontrolka na sluchátkách PX bude během procesu párování neustále blikat a po dokončení spojení se ozve akustický signál.
- Je-li spojení navázáno, zkontrolujte, zda jsou tato sluchátka u vašeho Bluetooth zařízení zvolena v aplikaci jako výstupní reprosystém.

Pro jakákoli další párování je třeba sluchátka do párovacího režimu přepnout manuálně, jak je znázorněno na obrázku 6.

- Na zapnutých sluchátkách držte po dvě vteřiny stisknuté tlačítko Bluetooth/Power. Kontrolka začne blikat modře a ozve se signál oznamující párovací režim.
- Na zdrojovém Bluetooth zařízení otevřete menu pro nastavení Bluetooth a ověřte, zda je Bluetooth zapnuto. V nabídce dostupných zařízení by se vám měla objevit PX Bowers & Wilkins. Zvolte je a zavřete nastavovací menu.

Poznámka: Pokud během 5ti minut nedojde ke spárování žádného zařízení, sluchátka PX automaticky párovací režim opustí.

Poznámka: Pokud párování selhalo, bude kontrolka blikat ve dvouvteřinových intervalech. Nejčastější příčinou špatného párování jsou signálové interference (rušení) a velká vzdálenost mezi párovanými zařízeními. Při párování je proto dobré, aby obě párovaná zařízení byla co nejbližší u sebe.

6.1 Poznámky k Bluetooth párování

- Sluchátka PX si mohou pamatovat až osm spárovaných Bluetooth zařízení. Lze připojit i dvě spárovaná zařízení najednou, například pro přehrávání hudby z jednoho a příjem telefonních hovorů z druhého.
- Po vypnutí sluchátek a jejich zapnutí či probuzení z pohotovostního režimu se sluchátka automaticky připojí k naposledy připojovanému spárovanému zařízení, bude-li ovšem zapnuto a v dosahu. Ostatní spárovaná zařízení nebudou připojována automaticky, když budou v dosahu, ale budou muset být připojena přes jejich Bluetooth nastavovací menu.
- Pro připojení odpojených sluchátek stačí kdykoli stisknout tlačítko Bluetooth na sluchátkách, čímž dojde k jejich spojení s naposledy připojeným zařízením.

- Pro odpojení Bluetooth zdroje od sluchátek PX stiskněte dvakrát rychle za sebou tlačítko Bluetooth. Tím dojde k odpojení všech připojených Bluetooth zařízení. Odpojení oznámí sluchátka PX akustickým signálem.
- Paměť spárovaných zařízení lze u sluchátek PX vymazat současným stisknutím a podržením tlačítek „Volume –“ a Bluetooth po dobu 2 vteřin. Kontrolka bude blikat a po dokončení procesu vymazávání paměti se sluchátka PX restartují.

7. Ovládání Bluetooth přehrávání

Ovládací prvky Play/Pause, Volume + a Volume – na sluchátkách PX lze použít pro ovládání přehrávání z Bluetooth zařízení:

- Pro zvýšení hlasitosti držte stisknuté tlačítko Vol +.
- Pro snížení hlasitosti držte stisknuté tlačítko Vol –.
- Pro spuštění či přerušení přehrávání krátce stiskněte tlačítko Play/ Pause.
- Pro volbu následující skladby dvakrát rychle po sobě stiskněte tlačítko Play/ Pause.
- Pro volbu předchozí skladby třikrát rychle po sobě stiskněte tlačítko Play/ Pause.

8. Real World Listening

Funkce potlačení okolního hluku (Environment Filter) se zapíná stisknutím tlačítka Environment Filter na straně pravého sluchátka. V základu je tato funkce vypnuta. K dispozici jsou přitom tři alternativní profily s různými charakteristikami potlačení hluku pro různá prostředí. Tyto profily lze volit pomocí aplikace Headphone od Bowers & Wilkins. Tlačítko pro aktivaci funkce Environment Filter na pravém sluchátku zapíná naposledy zvolený profil.

Funkce Voice Pass-through umožňuje čistě slyšet některé externí zvuky, jako např. konverzaci či bezpečnostní hlášení, bez nutnosti sundávání sluchátek. Funkce Voice Pass-through se volí v aplikaci Headphone od Bowers & Wilkins.

Poznámka: Funkce Environment Filter a Voice Passthrough nevyžadují přehrávání audio signálu. Je-li přehráván audio signál, pak účinnost funkce Voice Pass-through bude vždy záviset na jeho charakteru a úrovni hlasitosti.

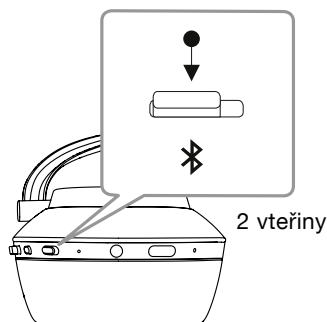
Poznámka: Nošení brýlí, jenž ovlivňují tvar vašich ušních boltců, může způsobit chybnou funkci systému pro potlačení okolního hluku (Environment Filter). Stejně tak například husté vlasy mezi uchem a náušníkem mohou zhoršovat činnost dotekových čidel v náušníku.

9. Používání s mobilním telefonem

Sluchátka PX lze použít s mobilním telefonem připojeným po Bluetooth pro telefonní hovory:

- Pro přijetí hovoru stiskněte a uvolněte tlačítko Play/Pause.
- Pro odmítnutí hovoru stiskněte na 2 vteřiny tlačítko Play/Pause.
- Pro ukončení hovoru stiskněte a uvolněte tlačítko Play/Pause.

Poznámka: Funkce pro telefonování jsou dostupné jen tehdy, pokud jsou sluchátka připojena po Bluetooth.



Obrázek 6
Manuální přepnutí do režimu Bluetooth párování

10. Kabelové připojení

Mimo bezdrátového provozu mohou být sluchátka PX připojena ke zdrojům také pomocí dodávaného audio kabelu (3.5mm jack), či USB kabelu. Propojení audio kabelem je možné použít tam, kde není možné aktivovat Bluetooth (např. na palubě letadla), nebo v případě zdrojů, které Bluetooth nemají (např. klasický HiFi systém).

Poznámka: I v případě provozu po audio kabelu je nutné, aby byla sluchátka nabitá a zapnuta.

USB propojení umožní, aby sluchátka PX ve spojení s patřičným počítačem fungovala jako USB výstupní audio zařízení.

Poznámka: USB a jack kabely mohou být připojeny simultánně, takže po USB může probíhat dobíjení, zatímco poslech zvuku může probíhat po audio kabelu.

Připojení sluchátek PX audiokabelem k patřičnému výstupu (jack) je popsáno níže:

- Uchopte jeden konec kabelu a připojte jej do zdířky, nacházející se ve spodní části pravého sluchátka. Ujistěte se, zda je konektor zasunut až na doraz. Druhý konec kabelu pak zapojte do zdířky sluchátkového výstupu přehrávačového zařízení.
- Při propojení audio kabelem nebudou fungovat ovládací prvky Play/Pause na sluchátkách.
- Připojením konektoru audio kabelu dojde u sluchátek PX automaticky k přerušení Bluetooth streamování. Pro obnovení Bluetooth streamování je nutné audio kabel od pravého sluchátka odpojit.

Propojení a používání sluchátek PX připojených po USB kabelu je popsáno níže:

- Odpojte všechna připojená Bluetooth zařízení pomocí dvojitého stisknutí (v rychlém sledu) tlačítka Bluetooth na pravém sluchátku.

Poznámka: Aby bylo možné přehrávání po USB, musí být Bluetooth odpojeno.

- Zapojte malý USB konektor do zdířky ve spodní části pravého sluchátka. Větší USB konektor zapojte do USB terminálu v počítači. Pokud je USB terminál napájen, začne se akumulátor ve sluchátkách automaticky nabíjet.
- Zvolte sluchátka PX v ovládacím panelu počítače jako výstupní audio zařízení. Zvuk z audio aplikace v počítači bude nyní přehráván ve vašich PX sluchátkách.
- Při provozu přes USB kabel bude ovládání hlasitosti a Play/Pause normálně fungovat.
- Pro obnovení provozu přes Bluetooth stiskněte tlačítko Bluetooth. Sluchátka se zkusí připojit k naposledy připojovanému Bluetooth zařízení.

11. Aktualizace firmware

Je možné, že pro sluchátka PX bude občas vydán nový firmware. Účelem mohou být nové funkce či jiná vylepšení.

Bude-li k dispozici nějaká aktualizace, objeví se v aplikaci Headphone od Bowers & Wilkins notifikace. Kliknutím na notifikaci v aplikaci proces aktualizace spustíte.

Poznámka: Během procesu aktualizace musejí sluchátka i mobilní zařízení zůstat zapnuté a umístěné blízko sebe. Je tedy také důležité, aby při zahájení aktualizace byl akumulátor dostatečně nabitý a vydržel až do konce aktualizace. V případě, že nabítí akumulátoru nebude pro aktualizaci dostatečné, upozorní na to aplikace v mobilním zařízení.

12. Reset a restart sluchátek

Sluchátka PX mohou být pomocí funkce Factory Reset v aplikaci resetována na tovární hodnoty, nebo mohou být restartována pomocí stisku tlačítka restart, ukrytého v malém otvoru u pravého sluchátka. Toto tlačítko je znázorněno na obrázku 1.

Pro použití tlačítka restart použijte například narovnanou kancelářskou sponku, jejíž pomocí stisknete tlačítko na dvě vteřiny. Během restartu se sluchátka vypnou. Pro dokončení procesu sluchátka zapněte.

Poznámka: Restart nevymaže paměť spárovaných Bluetooth zařízení.

13. Čištění sluchátek PX

Sluchátka PX čistěte utěrkou z jemné látky, navlhčenou v teplé vodě. Utěrkou pak opatrně krátkými pohyby otírejte kožený povrch, dokud nebude čistý. Na utěrku netlačte a dávejte pozor, abyste kůži neodřeli. Nikdy nepoužívejte čisticí roztoky na alkoholové bázi ani leštidla na kůži, mohlo by dojít k poškození povrchu.

Poznámka: Kožené náušníky sluchátek PX jsou uchyceny magneticky a je-li potřeba, mohou být při čištění sejmuty jemným tahem od těla sluchátka.

Obrázek 7 – Režim kontrolky

Svícení	Indikace
Zelená (pomalé blikání)	Nabíjení baterie
Zelená	Sluchátka zapnuta, nabití baterie > 50%
Žlutá	Sluchátka zapnuta, nabití baterie > 30%
Červená	Sluchátka zapnuta, nabití baterie < 30%
Červená (pomalé blikání)	Nedostatečné nabití pro provoz sluchátek
Červená (blikání)	Sluchátka se vypínají
Modrá	Bluetooth párování dokončeno
Modrá (blikání)	Sluchátka jsou v párovacím režimu
Modrá (pomalé blikání)	Probíhá Bluetooth párování
Modrá (opakované blikání)	Bluetooth párování selhalo
Bílá	Environment Filter aktivní

Obrázek 8 – Funkce tlačítek

Tlačítko	Akce	Funkce
On/Off/Bluetooth	Posunout	Zapnutí
	Posunout a podržet	Vypnutí
	Stisknout a podržet	Vstup do režimu párování
	Stisknout	Připojení k poslednímu Bluetooth zařízení
	2x stisknout	Odpojení všech Bluetooth zařízení
On/Off/Bluetooth a Volume –	Obojí stisknout a podržet	Vymazání paměti Bluetooth zařízení
Environment Filter	Stisknout	Zapnutí či vypnutí funkce Environment Filter, nastavené předtím v aplikaci
Volume +	Stisknout	Zvýšení hlasitosti
Volume –	Stisknout	Snížení hlasitosti
Play/Pause	Stisknout	Spuštění či přerušení přehrávání
	2x stisknout	Následující skladba
	3x stisknout	Předchozí skladba
<i>Poznámka: Tlačítka pro hlasitost sluchátek a Play/Pause nejsou funkční při používání audio kabelu.</i>		
Play/Pause	Stisknout	Přijmutí či ukončení hovoru
	Stisknout a podržet	Odmítnutí hovoru
<i>Poznámka: Funkce pro telefonování funguje pouze při připojení sluchátek po Bluetooth.</i>		
Play/Pause a Volume +	Obojí stisknout	Zapínání / vypínání zvukových signálů

Specifikace

Technické přednosti:	<p>Adaptivní potlačení okolního hluku a funkce Voice pass-through</p> <p>Bluetooth audio – Bluetooth 4.1 with aptX-HD</p> <p>Senzory pro Play/Pause/On/Off</p> <p>USB-C dobíjení a audio interface</p> <p>Dobíjecí lithiová baterie</p> <p>Měkké kožené náušníky z paměťové pěny</p> <p>Špičkové akustické vlastnosti</p> <p>Prémiové materiály a zpracování</p> <p>Firemní aplikace pro mobilní zařízení umožňující uzpůsobení</p> <p>Možnost složení naplocho</p>
Bluetooth kodeky:	<p>aptX-HD</p> <p>AAC</p> <p>SBC</p>
Bluetooth profily:	<p>A2DP v1.3</p> <p>AVRCP v1.6</p> <p>HFP v1.6</p> <p>HSP v1.2</p> <p>GAP</p> <p>SDAP</p> <p>DIP</p>
Měníče:	2 x 40mm širokopásmový
Frekvenční pásmo:	10Hz až 20kHz
Vstupní impedance:	22 Ohm
Zkreslení (THD):	<0.3% (1kHz/10mW)
Citlivost:	111dB/V @ 1kHz
Výdrž baterie:	22 hodin BT/ANC, 29 hodin pouze BT, 33 hodin po kabelu s ANC, 50 hodin pouze při kabelu.
Vstupy:	Bluetooth, 3.5mm stereo jack, USB-C audio
Příslušenství v balení:	1.2m stereo jack audio kabel, 1.2m USB-A na USB-C kabel. Ochranné pouzdro.
Hmotnost:	335 g

Üdvözli Önt a Bowers & Wilkins és a PX vezeték nélküli fejhallgató.

Köszönjük, hogy a Bowers & Wilkins-t választotta. Amikor John Bowers megalapította a társaságot, célja az volt, hogy az ötletes dizájn, innovatív megoldások és fejlett technológia révén tökéletesítse az otthoni hangzásvilág élményét. Ez az elképzelés mai napig a vállalat mozgatórugója, amely minden termékünk tervezését meghatározza.

A PX egy kiváló minőségű fület körbeölelő fejhallgató, mely a lehető legjobb hangminőséget nyújtja, a vezeték nélküliség kényelmével és az aktív zajszűrés nyújtotta nyugalommal. Ez az útmutató minden olyan információval ellátja Önt, amire szükség lehet a PX fejhallgató használatakor.

A PX fejhallgatója használható vezeték nélküli módban Bluetooth kapcsolattal, a mobiltelefonon, tableten vagy számítógépen tárolt zenék streameléséhez, vagy használható vezetékes módon, lejátszó eszköz a fülhallgató kimenetéhez illeszkedő jack kábel segítségével. A PX USB csatlakozáson keresztül is képes audió jeleket fogadni, ezen felül telefonálásra is alkalmas.

A PX fejhallgató Real World Listenig szolgáltatásában megtalálható a Környezeti szűrő és Hang átengedés funkció. A környezeti zajszűrés opcionális, és egyszerű módon, a fejhallgatón található gomb segítségével engedélyezhető vagy letilthető. A Hang átengedés funkció lehetővé teszi, hogy némi külső zaj, például párbeszéd vagy biztonsági figyelmeztetés jól hallható legyen, anélkül, hogy le kellene venni a fejhallgatót. A Környezeti szűrő és a Hang átengedés funkciók a fejhallgató iOS vagy Android applikációján keresztül is elérhetőek. Az applikációban további fejhallgató karakterisztika beállítás is elvégezhető.

A PX újratölthető akkumulátorral rendelkezik. Ha az akkumulátor teljesen feltöltődött, akkor a Bluetooth, környezeti szűrő és a hangátengedés használatától függően akár 22 órás lejátszásra képes, átlagos hangerőszinten.

1. A PX dobozának tartalma

- i. PX vezeték nélküli fejhallgató
- ii. USB töltő kábel
- iii. Audió jack kábel
- iv. Tároló táska
- v.. Dokumentum csomag

Környezetvédelmi információk

A termék megfelel a nemzetközi előírásoknak, ideértve, de nem kizárólagosan a veszélyes anyagok elektromos és elektronikus berendezésekben történő használatának korlátozását előíró RoHS irányelvet (Restriction of Hazardous Substances), a vegyi anyagok regisztrálásáról, értékeléséről, engedélyezéséről és korlátozásáról szóló REACH irányelvet (Registration, Evaluation, Authorisation and restriction of CHemicals, valamint az elektromos és elektronikus berendezések hulladékairól szóló WEEE előírást (Waste Electrical and Electronic Equipment). A termék megfelelő leselejtéséről vagy újrahasznosításáról további információkat a helyi hulladékkezelőtől vagy hatóságtól kérhet.

2. Ismerkedés a PX fejhallgatóval

Miután a jobb oldali fülkagylón található csúszka/gombbal bekapcsolta a PX fejhallgatót, az a Lejátszás/Állj, Hangerő + és Hangerő – gombokkal vezérelhető, melyek ugyancsak a jobb oldalon találhatóak. A csatlakoztatott Bluetooth vagy USB eszköztől is irányíthatóak a fejhallgató lejátszás és hangerő funkciói.

A Bluetooth gomb melletti jelzőfény mutatja a kapcsolat állapotát és az akkumulátor töltöttségi szintjét. A PX néhány eseményt vagy állapotot hanggal is jelez.

Megjegyzés: A jelzőfény állapotait a 7. ábra mutatja be.

Megjegyzés: A visszajelző hangok be és kikapcsolásához nyomja meg, majd tartsa lenyomva a Lejátszás/Állj és a Hangerő + gombot néhány másodpercig.

Az USB töltő aljzat és az audió jack aljzat a jobb oldalon, alul található. A jobb oldali fülpárna alatt található az újraindítás gomb.

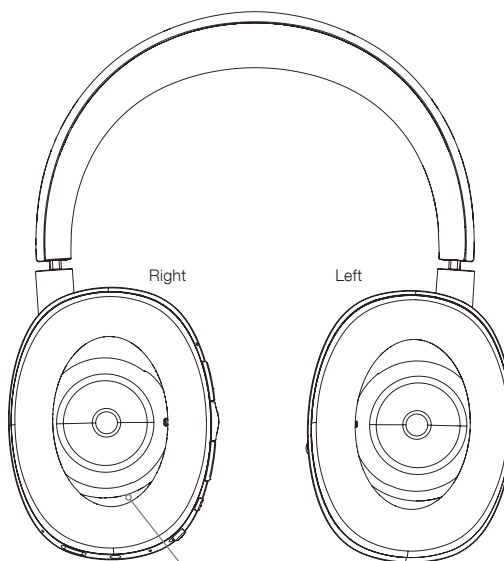
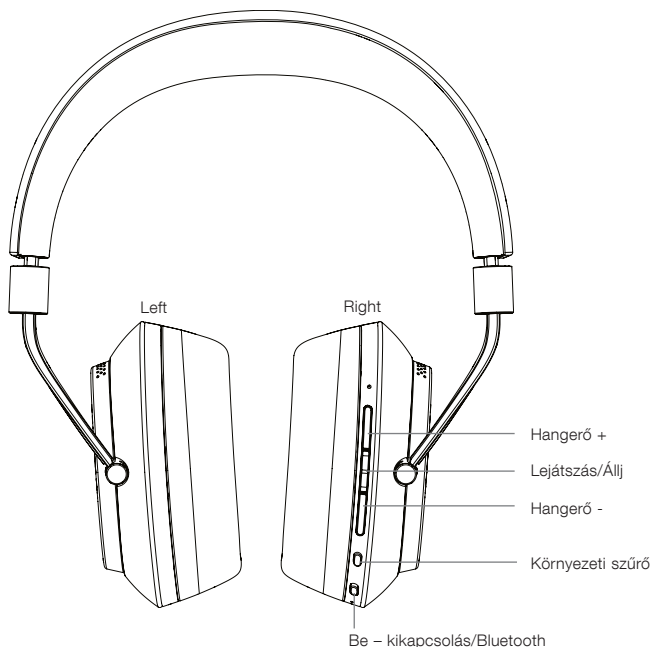
Megjegyzés: Az audió jack és az USB kábel csatlakoztatását a 10. fejezet ismerteti.

A PX beépített közelségérzékelő szenzorokkal rendelkezik, melyeknek köszönhetően a fejhallgató levétele után, 2 perc elteltével készenléti módba lép és lecsatlakozik a párosított Bluetooth eszköztől. Miután a fejhallgató felvételre kerül, az felébred a készenléti módból, és csatlakozik az utoljára használt eszközhöz.

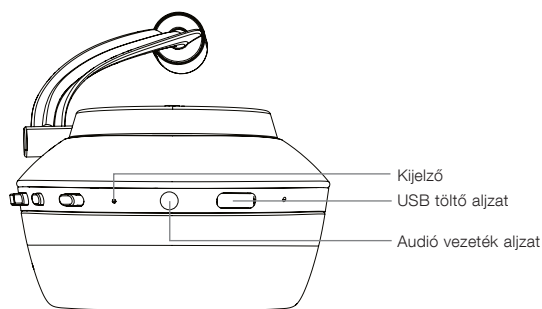
A bekapcsoló gomb mellett található a környezeti zajszűrő ki és bekapcsoló gombja. Ha engedélyezve van, a szűrő mindhárom bemenetnél működik: Bluetooth, USB és audió jack.

Megjegyzés: A gomb funkcióit a 8. ábra ismerteti.

A Bowers & Wilkins fejhallgató applikáció részletesebb beállítási és vezérlési lehetőséget tartalmaz, beleértve a Környezeti szűrő és a Hang átengedés állítást és módokat. Az applikációval a fejhallgató közelségérzékelőjének érzékenységi szintje is állítható. A program díjmentesen letölthető iOS és Android eszközökre.



1. Ábra
Fő jellemzők



2. Ábra
Alulnézet

3. Az akkumulátor töltése

A PX töltött állapotban kerül szállításra, így akár azonnal is használható, azonban az első használat előtt javasoljuk az akkumulátor teljes feltöltését. A PX fejhallgató teljes feltöltése megközelítőleg 3 órát vesz igénybe, ugyanakkor akár töltés közben is használható.

Megjegyzés: A PX bekapcsolásakor a kijelző led az akku aktuális töltöttségét mutatja. A zöld szín az akku 50% feletti töltöttségét jelzi. A sárga szín 30% és 50% közötti töltöttségre utal. Végezetül a piros szín a 30% alatti töltöttséget jelez. Ha a kijelző led pirosan villog, akkor az akku töltöttsége kevés a működéshez. A kijelző állapotait a 7. ábra ismerteti.

Az akkumulátor töltéséhez kövesse az alábbi lépéseket:

- Használja a mellékelt USB kábelt, csatlakoztassa az egyik végét a fejhallgatóhoz, a másik végét például egy számítógép USB aljzatához, normál hálózati tápegységhez vagy autós töltőhöz.
- A töltés alatt a kijelző zölden villog. A töltöttségi szint emelkedésével a zöld szín lassabban fog pulzálni. Teljes töltöttségi szintnél a LED folyamatos zöld színnel fog világítani.

4. A fejhallgató viselése

Ahhoz, hogy a fejhallgatója a maximális potenciálján legyen képes szólni, a fejhallgatót megfelelő módon kell használni. Először is azonosítsa be a bal és jobb oldalt. A jelzések fejpánt aljánál találhatóak a belső oldalon, ez a 3. ábrán látható.

Helyezze a fejhallgatót a fejére, majd a fejpánt csúszkáit addig állítsa mindkét oldalon, amíg a fülpárnák kényelmesen eltakarják a fülét. Ezt a 4. ábrán láthatja. Győződjön meg arról, hogy a fülpárnákat nem húzta túl, mely felesleges nyomást gyakorolhat a fejére.

Javasoljuk, hogy használat után a fejhallgatót helyezze vissza a mellékelt tároló táskába.

Megjegyzés: A szemüveg viselése torzíthatja a füleinek profilját, ez esetleg zavarhatja a környezeti szűrő funkciót. Hasonlóképp, a fül és a fülpárnák közé szorult haj megzavarhatja a fülkagylókba épített közelségérzékelőket.

5. Be és kikapcsolás

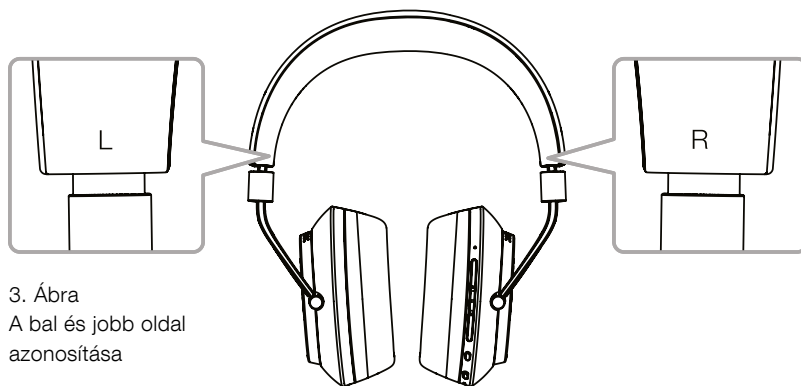
A PX fejhallgató bekapcsolásához csúsztassa el a kapcsoló gombot, az 5. ábrán ismertetett módon.

Az Ön PX fejhallgatója úgy lett megtervezve, hogy használaton kívül, intelligens módon kapcsoljon készenléti állapotba és lecsatlakozzon a párosított Bluetooth eszköztől. A fejhallgató felvételekor az visszakapcsol, így általában nem szükséges a fejhallgatót kikapcsolni. Ugyanakkor, ha szeretné kikapcsolni, csúsztassa el a kapcsoló gombot és tartsa úgy 1 vagy 2 másodpercig. A kijelző ekkor pirosan felvillog, jelezve, hogy a fejhallgató kikapcsolt.

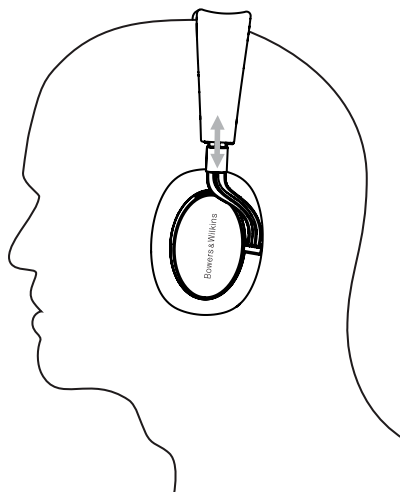
The headphones will provide an audio cue as they switch on and off.

Megjegyzés: Ha a PX bekapcsolva, de inaktív módban van legalább 2 percig, akkor automatikusan készenléti módba kapcsol, ezzel is kímélve az akkumulátort.

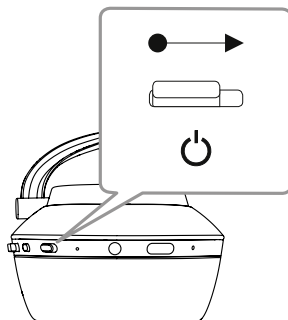
Megjegyzés: A fülkagyló közelségérzékelőinek érzékenysége a fejhallgató programjával állítható be.



3. Ábra
A bal és jobb oldal azonosítása



4. Ábra
A fülkagylók beállítása



5. Ábra
Bekapcsolás

6. Bluetooth párosítás

Ahhoz, hogy a PX fejhallgatót egy Bluetooth képes audió eszközhöz – mint például mobiltelefon – csatlakoztassuk, előbb párosítani kell. A párosítás után, ha közös hatótávon belül van a Bluetooth készülék és a fejhallgató, akkor "emlékezni" fognak egymásra és képesek lesznek csatlakozni.

A PX fejhallgató első bekapcsoláskor Bluetooth párosítási módba lép. Az eszközre való csatlakozáshoz kövesse az alábbi lépéseket:

- Győződjön meg arról, hogy a fejhallgató be van kapcsolva és párosítás módban van. A kijelző ekkor kéken villog.
- Nyissa meg a párosítandó eszköz menüjében a Bluetooth beállításokat és győződjön meg arról, hogy a Bluetooth be van kapcsolva. Keresés után a 'PX Bowers & Wilkins' felirat olvasható az eszköz kijelzőjén. Válassza ki a 'PX Bowers & Wilkins' fejhallgatót, majd zárja be a Bluetooth beállításokat.
- A fejhallgató kijelzője folyamatosan kéken villog a párosítás ideje alatt és a kapcsolat létrejöttkor folyamatosan kék színre vált. A fejhallgató rövid hanggal is jelzi a sikeres párosítás létrejöttét.
- Miután a kapcsolat létrejött, győződjön meg arról, hogy a lejátszó eszközön audió menüjében kiválasztotta a fejhallgatót.

További párosítások esetében, a fejhallgatóját manuálisan kell párosítási módba kapcsolni. Ez a 6. ábrán látható.

- A fejhallgató bekapcsolt állapotában, nyomja meg és tartsa lenyomva a kombinált Bluetooth/Power gombot két másodpercig. A kijelző kéken kezd el villogni és egy hangüzenet is jelzi, hogy a fejhallgató párosítás módba lépett.
- Ismét menjen a lejátszó eszköz Bluetooth menüjébe, majd keresse a 'PX Bowers & Wilkins' feliratot az eszközök listájában. Érintse meg a feliratot, ezután a két eszköz csatlakozik egymáshoz.

Megjegyzés: A fejhallgatója automatikusan kilép Bluetooth párosítás módból, ha nem párosítja az eszközzel 5 percen belül.

Megjegyzés: A párosítás esetenként meghiúsulhat, ekkor a kijelző két másodperces szünetekkel felvillan. Ebben az esetben húzza közelebb egymáshoz a két eszközt és próbálja újra a párosítást.

6.1 Bluetooth párosítás megjegyzések

- A PX fejhallgatója nyolc párosított Bluetooth eszközre képes emlékezni. Egyszerre két eszközt is lehet csatlakoztatni, például zenét lejátszani az egyikről, a másikkól pedig telefonhívást intézni.
- Mikor a fejhallgatója kikapcsolás vagy készenléti mód után újraindul, az utolsó párosított eszközhöz fog csatlakozni, amennyiben az elérhető távolságban van. Más, előzőleg már párosított eszközhöz a fejhallgató nem csatlakozik automatikusan, ilyen esetben az eszköz Bluetooth menüjében kell csatlakozni.
- Lecsatlakozott állapotban, a fejhallgató Bluetooth gombjának megnyomásával bármikor csatlakozhat az utolsó párosított eszközhöz, ha az elérhető.

- A Bluetooth eszköztől való lecsatlakozáshoz, nyomja meg kétszer gyors egymásutánban a Bluetooth gombot. Ezután a fejhallgató minden párosított eszköztől lecsatlakozik. A fejhallgató hanggal is jelzi a lecsatlakozást.
- A fejhallgatóval párosított eszközök kitorölhetők a memóriából a Bluetooth és a Hangerő-gombok együttes, 2 másodpercig tartó megnyomásával. A kijelző felvillan, majd a fejhallgató újraindul.

7. Bluetooth audió vezérlés

A PX fejhallgató Lejátszás/Állj, Hangerő + és Hangerő – gombjaival vezérelhető a Bluetooth audió lejátszás:

- A hangerő növeléséhez nyomja meg és tartsa lenyomva a Hangerő + gombot.
- A hangerő csökkentéséhez nyomja meg és tartsa lenyomva a Hangerő – gombot.
- Az audió lejátszásához vagy megállításához nyomja meg röviden a Lejátszás/Állj gombot.
- A következő szám kiválasztásához nyomja meg kétszer, gyors egymásutánban a Lejátszás/Állj gombot.
- Az előző szám kiválasztásához nyomja meg háromszor, gyors egymásutánban a Lejátszás/Állj gombot.

8. Real World Listening szolgáltatás

A PX fejhallgató Környezeti zajszűrőjét a jobb oldali fülkagylón található Környezeti szűrő gomb megnyomásával aktiválhatja. A környezeti szűrő alapállapotban ki van kapcsolva. Három környezeti zajszűrő profil közül választhat, melyeket különböző külső körülményekhez hangoltak. Ezek a Bowers & Wilkins fejhallgató applikációjából érhetőek el. A jobb oldali fülkagylón található Környezeti szűrő ki/be gombjának megnyomásával az utóljára használt profil lesz betöltve.

A PX fejhallgató Hang átengedés funkciója lehetővé teszi, hogy a külső hangok, mint például párbeszéd vagy biztonsági figyelmeztetés, jól hallható legyen, anélkül, hogy le kellene vennie a fejhallgatót. A Hang átengedés funkció a Bowers & Wilkins fejhallgató applikációjában érhető el.

Megjegyzés: A Környezeti szűrő és a Hang átengedés funkciók nem szükségesek az audió jelek lejátszásához. Ha audió lejátszás megy, akkor a Hang Átengedés funkció hallhatósága minden esetben, bizonyos mértékben függ a lejátszott audió jel fajtájától és a hangerőszinttől.

Megjegyzés: A szemüveg viselése torzíthatja a füleinek profilját, ez esetleg megzavarhatja a Környezeti szűrő funkciót. Hasonlóképp, a fül és a fülpárnák közé szorult haj megzavarhatja a fülkagylókba épített közelségérzékelőket.

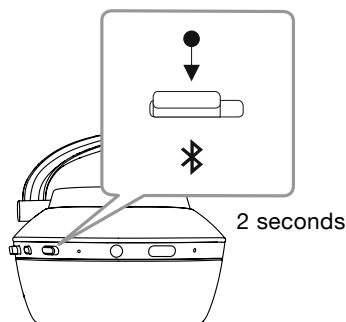
9. Mobiltelefon használata

Az Ön PX fejhallgatója használható telefonhívások lebonyolítására is Bluetooth módban csatlakoztatott mobiltelefonnal:

- A hívásfogadáshoz nyomja meg röviden a Play/Pause gombot.
- A hívás elutasításához nyomja meg és tartsa lenyomva 2 másodpercig a Play/Pause gombot.
- A hívás befejezéséhez nyomja meg röviden a Play/Pause gombot.

Ha Bluetooth stream lejátszása közben hívás érkezik, a lejátszás megáll. A hívás befejeztével a lejátszás folytatódik.

Megjegyzés: A telefon funkciók csak akkor működnek, ha Bluetooth kapcsolattal csatlakozik a mobiltelefonja.



6. Ábra
Bluetooth párosítás mód kiválasztása, manuálisan

10. Vezetékes kapcsolat

A vezeték nélküli használaton kívül, a PX fejhallgatóhoz a mellékelt jack vagy USB kábel segítségével is csatlakoztatható zenei forrás.

Az audió jack kábel csatlakozás akkor hasznos, ha például repülőgépen utazik vagy nem Bluetooth képes audió forrásról, például hagyományos hi-fi rendszerről szeretne zenét lejátszani.

Megjegyzés: Jack kábel használata esetén is be kell kapcsolni a PX fejhallgatót, feltöltött állapotban.

Az USB kapcsolat lehetővé teszi, hogy a PX fejhallgatója, egy megfelelő számítógép USB hangkimeneti eszköze lehessen.

Megjegyzés: Az USB és jack kábelek egyszerre is használhatóak, így ha jack kábelen zenét hallgat, közben töltheti a fejhallgatót az USB aljzaton.

Csatlakoztatott audió jack kábel használata esetén a PX fejhallgató működése az alábbi fejezetben olvasható:

- Fogja meg a jack kábel egyik végét, majd dugja be a jobb oldali fülkagyló aljába. Győződjön meg arról, hogy a dugó megfelelően csatlakozott. Csatlakoztassa a kábel másik végét az audió lejátszó eszköz fejhallgató kimenetére.
- A fejhallgató Lejátszás/Állj gombja nem funkcionál, ha jack kábel van csatlakoztatva.
- A jack kábel csatlakoztatása után a PX fejhallgató Bluetooth streaming lejátszása automatikusan megáll. A Bluetooth streaming folytatásának visszaállításához a jack kábelt ki kell húzni a fejhallgatóból.

Csatlakoztatott USB kábel használata esetén a PX fejhallgató működése az alábbi fejezetben olvasható:

- A fejhallgató Bluetooth gombjának kétszeri, gyors megnyomásával csatlakozzon le a kapcsolódott Bluetooth eszközökről.

Megjegyzés: A Bluetooth kapcsolatot meg kell szüntetni USB audió lejátszás esetén.

- Dugja be a kisebbik USB dugót a jobb oldali fülkagyló alján található nyílásba. A nagyobbik dugót csatlakoztassa a számítógép USB aljzatára. Ha a számítógép USB aljzatán tápellátás is van, akkor a fejhallgató töltése azonnal megkezdődik.
- A számítógép audió panelján válassza ki a PX fejhallgatót, mint lejátszó eszközt. A számítógép megfelelő lejátszó programját használva, a kiválasztott hanganyag megszólal a PX fejhallgatón.
- A fejhallgató Lejátszás/Állj gombja működőképes USB audió hanganyag lejátszásakor.
- A fejhallgató Bluetooth funkciójának visszaállításához, nyomja meg a Bluetooth gombot. A fejhallgató az utoljára használt eszközhöz próbál meg kapcsolódni.

11. Fejhallgató Firmware frissítés

Az Ön PX fejhallgatójához időközönként megjelenhet új firmware frissítés, melyben lehetnek finomítások és új szolgáltatások is.

Mikor elérhető frissítés a fejhallgató applikáció figyelmeztetni fogja. Érintse meg a figyelmeztető feliratot, ezután a frissítés elindul.

Megjegyzés: A frissítés időtartama alatt a fejhallgatónak és a mobil eszköznek közel kell lennie egymáshoz. Fontos, hogy az akku töltöttsége elegendő legyen a frissítés végéig. A program jelzi, ha nincs elég töltöttség a frissítés befejezéséhez.

12. Fejhallgató beállítások törlése és újraindítás

A PX fejhallgatójának alapértelmezett beállításai visszaállíthatóak, az applikáció gyári törlés opciójával (Factory Reset) vagy a fejhallgató újraindítható, a jobb oldali fülkagylón található restart gombbal. A kisméretű gomb elhelyezkedése az 1. ábrán látható.

Az újraindításhoz vegyen például egy kiegyenesített gemkapcsot, majd nyomja meg és tartsa lenyomva 2 másodpercig a gombot. A fejhallgató kikapcsol, az újraindítási folyamat alatt. Ezután kapcsolja be újra a fejhallgatót, hogy befejezze az újraindítási folyamatot.

Megjegyzés: A restart gomb használatakor nem törlődnek a memóriából, a párosított Bluetooth eszközök.

13. A PX fejhallgatójának tisztítása

A PX fejhallgatójának tisztításához használjon nedves rongyot és törölje tisztára a felületeket. A fülpárnákat óvatosan tisztítsa, ne dörzsölje a bőr felületét. Ne használjon tisztító vegyszert vagy bőrápolót, mert az kárt tehet a termékben.

Megjegyzés: A PX fejhallgató fülpárnái mágneselesen kapcsolódnak a fülkagylókhöz, ha a tisztítani szeretné azokat, a fülpárnák óvatos húzással eltávolíthatók.

7. Ábra A kijelző jelentései

Kijelző	Jelentés
Zöld (lassú pulzálás)	Akkumulátor töltés
Zöld	Fejhallgató bekapcsolva, akku töltöttség > 50%
Sárga	Fejhallgató bekapcsolva, akku töltöttség > 30%
Piros	Fejhallgató bekapcsolva, akku töltöttség < 30%
Piros (lassú pulzálás)	Az akku töltöttsége kevés a fejhallgató működtetéséhez
Piros (villogás)	A fejhallgató kikapcsol
Kék	Bluetooth csatlakozás létrejött
Kék (villogás)	Bluetooth párosítás mód aktív
Kék (lassú pulzálás)	Bluetooth párosítás folyamatban
Kék (ismétlődő felvillanás)	Bluetooth párosítás sikertelen
Fehér	Környezeti szűrő aktív

8. Ábra Gomb funkciók

Gomb	Akció	Funkció
Be/Ki/Bluetooth	Húzás	Bekapcsolás
	Húzás és tartás	Kikapcsolás
	Nyomás és tartás	Párosítás módba lépés
	Nyomás	Csatlakozás az utoljára használt Bluetooth eszközhöz
	2 x nyomás	Lecsatlakozás minden Bluetooth eszköztől
	Be/Ki/Bluetooth és Hangerő –	Mindkét gomb megnyomása és nyomva tartása
Környezeti szűrő	Nyomás	Környezeti szűrő be vagy kikapcsolás A szűrő mód az applikációban választható
Hangerő +	Nyomás	Hangerő növelés
Hangerő –	Nyomás	Hangerő csökkentés
Lejátszás/Állj	Nyomás	Az audió lejátszás vagy megállítás
	2 x Nyomás	Következő számra való ugrás
	3 x Nyomás	Előző számra való ugrás

Megjegyzés: A fejhallgató hangerő és a Lejátszás/Állj gombjai nem használhatóak jack kábel használata esetén.

Lejátszás/Állj	Nyomás	Telefonhívás fogadás, befejezés
	Nyomás és tartás	Telefonhívás visszautasítás

Megjegyzés: A telefon funkciók csak Bluetooth módban működnek.

Lejátszás/Állj és Volume +	Mindkettő megnyomása	Audió hangjelzések ki/bekapcsolás
----------------------------	----------------------	-----------------------------------

Specifikációk

Technikai jellemzők:	<p>Adaptív zajszűrés és hang átengedés</p> <p>Bluetooth audió – Bluetooth 4.1, aptX-HD</p> <p>Intelligens érzékelés a Lejátszás/Állj/Be/Ki kapcsoláshoz</p> <p>USB-C töltés és audió interfész</p> <p>Újratölthető lítium akkumulátor</p> <p>Lágy, bőr borítású, memóriahabos fülpárnák</p> <p>Világszínvonalú akusztika</p> <p>Prémium anyagok és megépítés</p> <p>Mobil segédalkalmazás a személyre szabott lejátszásért</p> <p>Összehajtható kialakítás</p>
Bluetooth kodekek:	<p>aptx-HD</p> <p>AAC</p> <p>SBC</p>
Bluetooth profilok:	<p>A2DP v1.3</p> <p>AVRCP v1.6</p> <p>HFP v1.6</p> <p>HSP v1.2</p> <p>GAP</p> <p>SDAP</p> <p>DIP</p>
Meghajtó egységek:	2 x 40mm szélessávú
Frekvencia tartomány:	10Hz – 20kHz
Bemeneti impedancia	22 Ohm
Torzítás (THD):	<0.3% (1kHz/10mW)
Érzékenység:	111dB/V @ 1kHz
Akku élettartam:	22 óra BT/ANC, 29 óra csak BT, 33 óra vezetékkel és ANC-vel, 50 óra csak vezetékkel.
Bemenetek:	Bluetooth, 3.5mm sztereó jack, USB-C audió
Mellékelt tartozékok:	1.2m sztereó jack audió kábel, 1.2m USB-A -USB-C kábel. Védőtok
Súly:	335 gramm

Witamy w instrukcji obsługi bezprzewodowych słuchawek PX firmy Bowers & Wilkins.

Dziękujemy za wybranie Bowers & Wilkins. Kiedy John Bowers założył naszą firmę, zrobił to w przekonaniu że wyobraźnia, innowacyjna technika i zaawansowana technologia są kluczami, które mogą przynieść zadowolenie z dźwięku w domu. To przekonanie jest tym, czym wciąż się dzielimy i jest inspiracją dla każdego produktu który projektujemy.

Słuchawki PX są najwyższej klasy słuchawkami nausznyymi, które zapewniają najwyższą jakość odsłuchu, połączoną z wygodą bezprzewodowej eksploatacji oraz spokój dzięki wbudowanej redukcji szumów. Niniejsza instrukcja zawiera wszystko co potrzebujesz wiedzieć, aby uzyskać jak najwięcej z twoich słuchawek PX.

Słuchawki PX mogą być używane zarówno bezprzewodowo, do streamingu muzyki z telefonu, tabletu lub komputera za pośrednictwem technologii Bluetooth, jak i konwencjonalnie w “trybie pasywnym” połączone kablem z odpowiednim wejściem słuchawkowym. Słuchawki PX potrafią również odtwarzać muzykę za pośrednictwem kabla USB oraz mogą być używane do telefonii bezprzewodowej.

Słuchawki PX posiadają funkcję odsłuchowe Real World obejmujące filtr otoczenia i przesyłanie głosu. Funkcja ta jest opcjonalna i można ją łatwo włączyć lub wyłączyć za pomocą przycisku na słuchawkach. Funkcja Voice Pass-through umożliwi odtwarzanie zewnętrznych dźwięków, takie jak rozmowy lub komunikaty o bezpieczeństwie, tak aby były wyraźnie słyszane bez potrzeby zdejmowania słuchawek. Filtr otoczenia i Voice Pass-through w słuchawkach mogą być uruchamiane za pomocą aplikacji dostępnej na platformach iOS i Android. Aplikacja potrafi również dostosować pewne cechy słuchawek.

Słuchawki PX zawierają baterię wielokrotnego ładowania. W pełni naładowana i w zależności od stopnia sygnału Bluetooth oraz korzystania z filtrów, bateria może zapewnić do 22 godzin pracy przy średnich poziomach głośności.

1. Zawartość opakowania

- i. Bezprzewodowe słuchawki PX
- ii. Kabel USB
- iii. Kabel słuchawkowy
- iv. Etui
- v. Instrukcja obsługi

Informacje dotyczące środowiska

Ten produkt spełnia międzynarodowe dyrektywy w tym między innymi dyrektywę (RoHS) dot. sprzętu elektronicznego i elektrycznego, rozporządzenia dot. rejestracji, oceny, udzielania zezwoleń i ograniczeń handlu i stosowania niektórych chemikaliów (REACH), a także dyrektywy o utylizacji odpadów elektronicznych i elektrycznych (WEEE). W sprawie wytycznych do recyklingu i utylizacji produktu skonsultuj się z odpowiednimi instytucjami.

2. Poznaj słuchawki PX

Po włączeniu za pomocą przełącznika zasilania na prawym nauszniku, twoje słuchawki PX mogą być kontrolowane za pomocą przycisków Odtwórz / Pauza i Głośności również znajdujących się na prawym nauszniku. Urządzenie połączone przez Bluetooth lub USB będzie również w stanie kontrolować głośność słuchawek i odtwarzanie dźwięku.

Wskaźnik obok przycisku Bluetooth wyświetla status połączenia i poziom naładowania baterii. Słuchawki odtwarzają także sygnały dźwiękowe dla niektórych poleceń i zdarzeń sterujących.

Uwaga: Podświetlenie wskaźnika przedstawiono na schemacie 7.

Uwaga: Sygnały dźwiękowe mogą być włączane i wyłączane poprzez naciśnięcie jednocześnie przycisków Play/Pause i Volume+.

Gniazdo USB oraz gniazdo audio Jack znajdują się w dolnej części prawego nausznika. To w nim znajduje się również otwór na szpilkę, w którym ukryty jest przycisk restartu pod poduszką nausznika.

Uwaga: Podłączenie kabla Audio i USB opisane jest w rozdziale 10.

Słuchawki PX zawierają czujniki zbliżeniowe w nausznicach, co oznacza, że słuchawki przechodzą w stan czuwania i rozłączają sparowane po Bluetooth urządzenie w 2 minuty po zdjęciu ich z głowy. Będą automatycznie budzić się ze stanu czuwania i łączyć z ostatnio połączonym urządzeniem w momencie włożenia słuchawek na głowę.

Naciśnięcie przycisku obok przycisku zasilania umożliwia włączenie i wyłącza zarządzania filtrem otoczenia. Po włączeniu filtr otoczenia działa na wszystkich trzech wejściach słuchawkowych: Bluetooth, USB i audio.

Uwaga: Funkcje przycisków opisane są w schemacie nr 8

Aplikacja słuchawkowa Bowers & Wilkins zapewnia rozszerzone funkcje konfiguracji i sterowania, w tym Filtr otoczenia i Voice Pass-through, regulację i wybór trybu. Można również regulować czułość czujników zbliżenia za pomocą aplikacji. Aplikacja jest dostępna za darmo do pobrania na iOS i urządzenia z systemem Android.

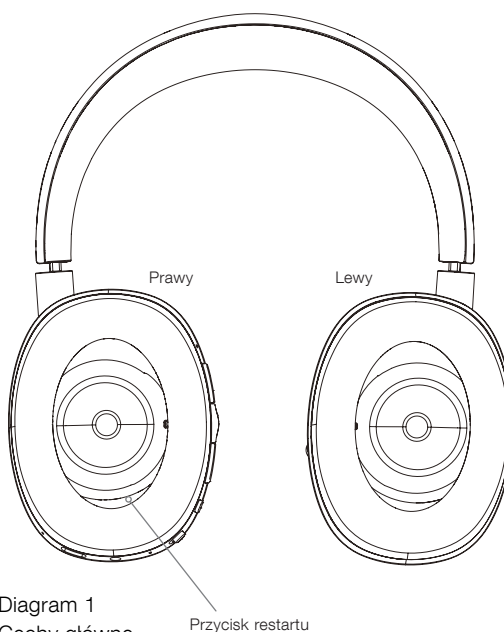
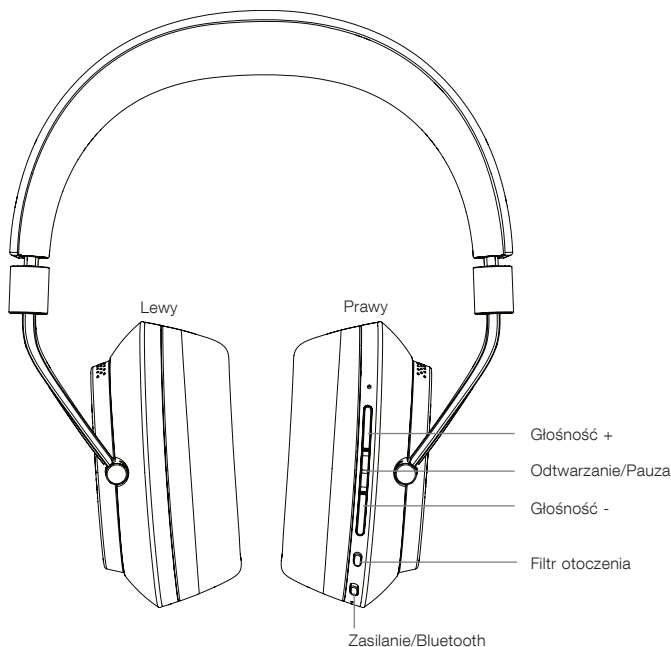


Diagram 1
Cechy główne

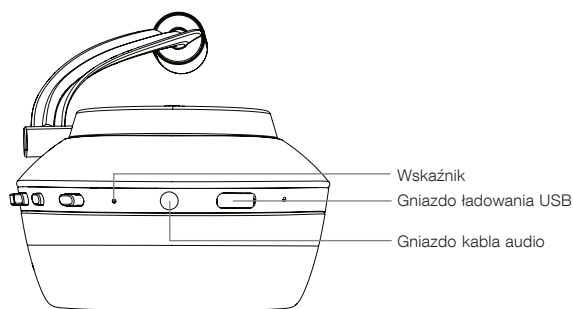


Diagram 2
Widok od dołu

3. Ładowanie Baterii

Sluchawki PX dostarczane są z baterią i mogą być od razu używane, jednak dobrze jest przed użyciem w pełni naładować baterię. Pełne ładowanie może trwać nawet do 3 godzin, lecz można ich używać już podczas ładowania.

Uwaga: Początkowo, gdy włączymy słuchawki PX, wskaźnik wyświetla poziom naładowania baterii. Kolor zielony oznacza, że bateria jest naładowana powyżej 50%. Żółty wskazuje, że bateria jest naładowana między 50% a 30%. Kolor czerwony oznacza, że baterii zostało poniżej 30% mocy. Jeżeli wskaźnik miga na czerwono oznacza to, że poziom naładowania baterii jest za słaby do używania słuchawek. Iluminacje wskaźnika opisane są na wykresie 7.

Proces ładowania wygląda następująco:

- Za pomocą załączonego do słuchawek kabla USB podłącz słuchawki do gniazda w komputerze, ładowarki sieciowej lub samochodowej
- Podczas ładowania wskaźnik będzie migał na zielono. Wraz ze wzrostem poziomu naładowania, częstotliwość mrugnięć będzie się wydłużać. Po pełnym naładowaniu wskaźnik będzie stale świecił na zielono.

4. Zakładanie słuchawek

Właściwe korzystanie ze słuchawek pomoże zapewnić pełne wykorzystanie ich wydajności. Najpierw upewnij się który nausznik jest lewy, a który prawy. Oznaczenie znajduje się w dolnej części opaski, jak pokazano na schemacie 3.

Umieść słuchawki na głowie z dopasowanym pałąkiem tak, aby nauszники umieszczone były wygodnie wokół uszu, jak pokazano na diagramie 4. Upewnij się, że wkładki douszne nie ciągną się do góry i nie powodują niepotrzebnego nacisku na głowę.

Zalecamy, aby nieużywane słuchawki odkładać do etui.

Uwaga: Noszenie okularów podczas używania słuchawek może osłabiać działanie filtra otoczenia. Podobnie, włosy uwięzione między uszami i nausznikami słuchawek mogą zakłócać działanie czujnika zbliżeniowego.

5. Włączanie i wyłączenie

Aby włączyć słuchawki PX, przesunij przycisk zasilania w bok, jak pokazano na Diagramie 5.

Sluchawki PX są zaprojektowane tak, aby inteligentnie przełączać się w tryb gotowości i odłączać od Bluetooth, gdy nie są używane, a także, aby się wzbudzić po włożeniu, więc generalnie nie ma potrzeby ich wyłączenia. Jeśli jednak chcesz je wyłączyć, przesunij przycisk zasilania i przytrzymaj go przez sekundę lub dwie. Wskaźnik zacznie migać na czerwono, potwierdzając wyłączenie.

Sluchawki wydają dźwięk podczas włączania i wyłączania.

Uwaga: słuchawki PX pozostawione włączone, ale nieaktywne przez ponad dwie minuty automatycznie przełączą się w tryb gotowości, aby oszczędzać baterię.

Uwaga: Czulość czujników zbliżeniowych na nausznikach sterujących włączaniem i przejściem w stan gotowości można regulować w aplikacji słuchawkowej.



Diagram 3
Oznaczenie lewej i prawej słuchawki

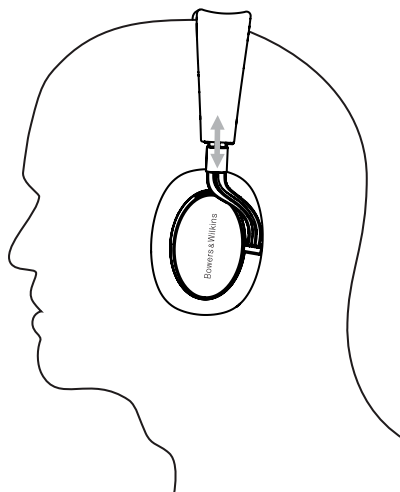


Diagram 4
Ułożenie nauszników

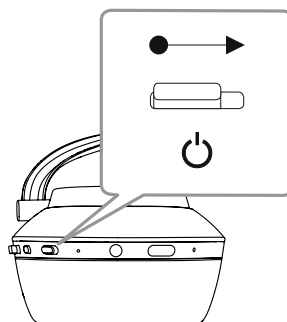


Diagram 5
Włączanie

6. Parowanie Bluetooth

Aby podłączyć słuchawki PX do urządzenia audio obsługującego technologię Bluetooth, takiego jak telefon komórkowy, należy najpierw sparować je z urządzeniem. Po sparowaniu, urządzenie Bluetooth i słuchawki "zapamiętają" siebie nawzajem, będą mogły się łączyć bez ponownego parowania jeśli będą w zasięgu.

Przy pierwszym włączeniu słuchawki PX uruchomią się w trybie parowania Bluetooth. Aby sparować urządzenie, wykonaj następujące czynności:

- Upewnij się, że słuchawki są włączone i znajdują się w trybie parowania. Wskaźnik zacznie migać na niebiesko.
- Otwórz ustawienia Bluetooth na parowanym urządzeniu i upewnij się, że Bluetooth jest włączony. "PX Bowers & Wilkins" pojawi się jako dostępne urządzenie. Wybierz "PX Bowers & Wilkins" i zamknij ustawienia Bluetooth.
- Wskaźnik słuchawek miga na niebiesko, gdy proces parowania jest w toku i po ustawieniu parowania zmienia się na ciągły niebieski. Słuchawki wydadzą krótki dźwięk po ustanowieniu parowania.
- Po ustanowieniu parowania upewnij się, że słuchawki są wybrane jako urządzenie odtwarzające w aplikacjach audio.

W przypadku parowania słuchawek z kolejnymi urządzeniami należy przełączać ręcznie w tryb parowania: Zostało to przedstawione na schemacie 6.

- Gdy słuchawki są włączone, naciśnij i przytrzymaj połączony przycisk Bluetooth / zasilania przez dwie sekundy. Wskaźnik zacznie migać na niebiesko, a słuchawki odtworzą dźwięk oznaczający przejście w tryb parowania.
- Ponownie przejdź do ekranu konfiguracji Bluetooth urządzenia, które chcesz sparować ze słuchawkami i poszukaj "PX Bowers & Wilkins" na liście. Stuknij w nią, a oba urządzenia połączą się.

Uwaga: Twoje słuchawki automatycznie wyjdą z trybu parowania Bluetooth, jeśli żadne urządzenie nie zostanie sparowane w ciągu pięciu minut.

Uwaga: Parowanie może czasem się nie udać, w takim przypadku wskaźnik słuchawek mignie na niebiesko w ciągu dwóch sekund. Spróbuj ponownie, używając urządzeń bliżej siebie.

6.1 Uwagi dotyczące parowania Bluetooth

- Słuchawki PX mogą zapamiętać do ośmiu sparowanych urządzeń Bluetooth. Możliwe jest jednoczesne podłączenie dwóch urządzeń, aby umożliwić na przykład odtwarzanie muzyki z jednego urządzenia, podczas gdy połączenia telefoniczne są odbierane z drugiego urządzenia.
- Gdy słuchawki zostaną uruchomione po pewnym czasie od wyłączenia lub gdy są w trybie gotowości, połączą się z ostatnim podłączonym urządzeniem, jeśli jest ono włączone i znajduje się w zasięgu. Inne sparowane urządzenia nie będą się łączyć automatycznie, tylko muszą być wybrane do połączenia za pomocą ustawień Bluetooth.
- Po rozłączeniu, naciśnięcie przycisku Bluetooth w słuchawce spowoduje w dowolnym momencie nawiązanie połączenia z ostatnim podłączonym urządzeniem.

- Aby odłączyć urządzenie źródłowe Bluetooth od słuchawek PX, naciśnij dwa razy przycisk Bluetooth w krótkich odstępach czasu. Spowoduje to odłączenie wszystkich podłączonych urządzeń Bluetooth. Słuchawki będą odtwarzać słyszalne sygnały, gdy Bluetooth zostanie odłączony.
- Pamięć urządzenia sparowanego na słuchawkach można wymazać, naciskając i przytrzymując jednocześnie przyciski Bluetooth i głośności - przez 2 sekundy. Wskaźnik zacznie migać, a słuchawki zostaną uruchomione ponownie.

7. Sterowanie dźwiękiem Bluetooth

W słuchawkach PX przyciski Play / Pause, Volume + i Volume - mogą służyć do sterowania dźwiękiem:

- Aby zwiększyć głośność, naciśnij przycisk Volume +.
- Aby zmniejszyć głośność, naciśnij przycisk Głośność -.
- Aby odtworzyć lub zatrzymać dźwięk, naciśnij i zwolnij przycisk Odtwarzaj / Pauza.
- Aby wybrać następny utwór, naciśnij dwa razy przycisk Play / Pause w krótkich odstępach czasu.
- Aby wybrać poprzedni utwór, naciśnij trzykrotnie przycisk Odtwarzaj / Pauza w krótkich odstępach czasu.

8. Real World Listening

Filtr redukcji szumów otoczenia w słuchawkach PX, włącza się, naciskając przycisk Filtr otoczenia z boku prawego nausznika. Filtr otoczenia jest domyślnie wyłączony. Dostępne są trzy alternatywne profile filtrów otoczenia, które zapewniają charakterystykę redukcji szumów dostosowaną w różnych środowiskach. Są one wybierane za pomocą aplikacji Bowers & Wilkins Headphone. Funkcja włączenia / wyłączenia filtra otoczenia wybierze ostatni używany profil redukcji szumów.

Funkcja Voice Pass-through słuchawek PX umożliwia słyszenie zewnętrznych dźwięków, takich jak rozmowy lub komunikaty o bezpieczeństwie, bez potrzeby zdejmowania słuchawek. Voice Pass-through jest wybierany za pomocą aplikacji Bowers & Wilkins Headphone.

Uwaga: Funkcje Filtr otoczenia i Voice Pass-through nie wymagają, aby słuchawki odtwarzały sygnał audio. Jeśli ze słuchawek odtwarzany jest sygnał audio, słyszalność Voice Pass-through zawsze zależy w pewnym stopniu od jego charakteru i poziomu głośności.

Uwaga: Noszenie okularów podczas używania słuchawek może zakłócać działanie filtra otoczenia słuchawkowego. Podobnie, włosy uwięzione między uszami a nausznikami słuchawek mogą zakłócać działanie czujnika zbliżeniowego.

9. Korzystanie z telefonu komórkowego

Słuchawki PX mogą być używane z telefonem komórkowym z funkcją Bluetooth do wykonywania połączeń głosowych:

- Aby odebrać połączenie, naciśnij i zwolnij przycisk Odtwarzaj / Pauza.
- Aby odrzucić połączenie, naciśnij przycisk Play / Pause na dwie sekundy.
- Aby zakończyć połączenie, naciśnij i zwolnij przycisk Odtwarzaj / Pauza.

Odtwarzanie dźwięku przez Bluetooth podczas rozmowy telefonicznej zostanie wstrzymane. Zostanie wznowione po zakończeniu połączenia.

Uwaga: Funkcje telefoniczne działają tylko wtedy, gdy słuchawki są połączone przez Bluetooth

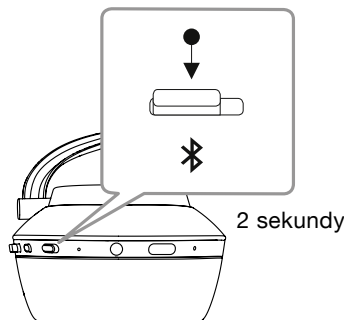


Diagram 6
Ręczne przełączenie w tryb parowania Bluetooth

10. Połączenie przewodowe

Oprócz bezprzewodowego działania, słuchawki PX można podłączyć do źródeł dźwięku za pomocą dostarczonego gniazda audio i kabli USB.

Podłączenie kabla audio jack jest przydatne, jeśli słuchawki mają być używane na pokładzie samolotu lub ze źródłem audio innym niż Bluetooth, takim jak tradycyjny system hi-fi.

Uwaga: Słuchawki PX należy ładować i używać przewodowo używając kabla podpiętego do gniazda jack.

Połączenie USB umożliwia używanie słuchawek PX jako urządzenia wyjściowego dźwięku USB po podłączeniu do komputera.

Uwaga: Kable USB i jack można podłączyć jednocześnie, aby ładowanie baterii USB mogło być kontynuowane, gdy używane jest gniazdo słuchawkowe.

Podłączanie kabla audio-jack i zachowanie słuchawek PX przy użyciu gniazda wejściowego jest opisane w poniższych akapitach:

- Weź jeden koniec kabla jack i włóż wtyczkę do gniazda w dolnej części prawego nausznika. Upewnij się, że wtyczka jest całkowicie włożona. Podłącz drugi koniec kabla do gniazda słuchawkowego urządzenia odtwarzającego audio.
- Przyciski regulacji głośności w słuchawkach i przycisk Odtwórz / Pauza nie będą działać, gdy używane jest połączenie kablów typu jack.
- Podłączenie kabla jack automatycznie wstrzymuje strumieniowanie Bluetooth w słuchawkach PX. Aby przywrócić transmisję Bluetooth, kabel słuchawkowy musi być odłączony.

Podłączanie i używanie kabla USB i zachowanie słuchawek PX przy użyciu wejścia USB jest opisane w poniższych akapitach:

- Odłącz wszystkie podłączone urządzenia Bluetooth, naciskając dwukrotnie przycisk Bluetooth na prawym nauszniku w krótkich odstępach czasu.

Uwaga: Aby odtwarzać dźwięk USB, należy odłączyć Bluetooth.

- Podłącz małą wtyczkę USB do gniazda na spodzie prawego nausznika słuchawki. Podłącz większą wtyczkę USB do gniazda USB komputera. Jeśli gniazdo USB komputera jest zasilane, akumulator słuchawkowy natychmiast rozpocznie ładowanie.
- Wybierz słuchawki PX jako urządzenie odtwarzające na panelu sterowania wyjścia audio komputera. Dźwięki wybrane w aplikacjach do odtwarzania muzyki komputerowej będą teraz odtwarzane przez słuchawki PX.
- Głośność słuchawek i przyciski sterowania odtwarzaniem / pauzą będą działać normalnie podczas odtwarzania dźwięku przez USB.
- Aby przywrócić funkcje słuchawkowe Bluetooth, naciśnij przycisk Bluetooth. Słuchawki spróbują połączyć się z ostatnim podłączonym urządzeniem.

11. Aktualizacja oprogramowania układowego słuchawek

Słuchawki PX będą od czasu do czasu podlegały aktualizacji oprogramowania w celu doskonalenia wydajności i dodawania nowych funkcji.

Gdy aktualizacja oprogramowania jest dostępna, aplikacja słuchawkowa wyświetli powiadomienie. Stuknij w powiadomienie w aplikacji, aby rozpocząć proces aktualizacji.

Uwaga: słuchawki i urządzenie mobilne muszą pozostać włączone i znajdować się w niewielkiej odległości podczas procesu aktualizacji oprogramowania. Ważne jest również, aby poziom naładowania akumulatora w słuchawkach był wystarczający do ukończenia aktualizacji oprogramowania układowego. Aplikacja pokaże, czy nie ma wystarczającej ilości baterii do dokończenia aktualizacji oprogramowania.

12. Resetowanie słuchawek i ponowne uruchomienie

Słuchawki PX można przywrócić do ustawień domyślnych za pomocą opcji przywracania ustawień fabrycznych w aplikacji słuchawkowej lub można je uruchomić ponownie, naciskając przycisk ponownego uruchamiania pin-hole umieszczony w prawym nauszniku. Przycisk pin-hole jest przedstawiony na schemacie 1.

Aby użyć przycisku restartu, trzeba użyć wyprostowanego spinacza do papieru lub szpilki, i nacisnąć oraz przytrzymać go przez dwie sekundy. Słuchawki zostaną wyłączone podczas restartu. Włącz słuchawki, aby dokończyć proces restartowania.

Uwaga: Przycisk resetowania pin-hole nie usunie z pamięci urządzeń sparowanych przez Bluetooth.

13. Czyszczenie słuchawek PX

Słuchawki PX można czyścić za pomocą wilgotnej szmatki. Nie należy pocierać skóry materiałem. Nie używaj detergentów ani pasty do czyszczenia skóry, ponieważ może to spowodować uszkodzenie słuchawek.

Uwaga: Skórzane elementy nauszne słuchawek PX są magnetycznie zamocowane i można je wyjąć w celu wyczyszczenia, jeśli jest to wymagane, delikatnie odciągając je od korpusu.

Diagram 7 Oznaczenie wyświetleń

Wyświetlanie	Oznaczenie
Zielony (powolne miganie)	Ładowanie baterii
Zielony	Poziom naładowania słuchawek >50%
Żółty	Poziom naładowania słuchawek >30%
Czerwony	Poziom naładowania słuchawek <30%
Czerwony (powolne miganie)	Niewystarczający poziom baterii do obsługi słuchawek
Czerwony (błyskanie)	Wyłączanie słuchawek
Niebieski	Ustanowienie połączenia Bluetooth
Niebieski (błyskanie)	Aktywny tryb parowania po Bluetooth
Niebieski (powolne miganie)	Parowanie Bluetooth w toku
Niebieski (powtarzające się błyskanie)	Niepowodzenie parowania po Bluetooth
Biały	Aktywny filtr otoczenia

Diagram 8 Funkcje przycisków

Przycisk	Czynność	Funkcja
On/Off/Bluetooth	Przesuń	Włączanie
	Przesuń i przytrzymaj	Wyłączanie
	Wciśnij i przytrzymaj	Włączanie trybu parowania
	Wciśnij	Połącz z ostatnio powiązonym po Bluetooth urządzeniem
On/Off/Bluetooth i Volume -	Wciśnij 2x	Odłącz wszystkie urządzenia Bluetooth
	Wciśnij i przytrzymaj oba	Wyczyść z pamięci urządzenia Bluetooth
Filtr otoczenia	Wciśnij	Włącz lub wyłącz ostatnio ustawiony w aplikacji filtr otoczenia
Volume +	Wciśnij	Zwiększanie głośności
	Wciśnij	Zmniejszanie głośności
Play/Pause	Wciśnij	Odtwarzanie/Pauza dźwięku audio
	Wciśnij x2	Następny utwór
	Wciśnij x3	Poprzedni utwór

Uwaga: Przyciski regulacji głośności w słuchawkach i przycisk Odtwarzaj / Pauza nie będą działać, gdy w urządzeniu zostanie użyte połączenie kablów.

Play/Pause	Wciśnij	Odbierz/Rozłącz połączenie telefoniczne
	Wciśnij i przytrzymaj	Odrzuć połączenie telefoniczne

Uwaga: Funkcje telefoniczne działają jedynie gdy słuchawki są połączone przez Bluetooth.

Play/Pause i Volume +	Wciśnij oba	Switch audio cues on/off
-----------------------	-------------	--------------------------

Specyfikacja

Właściwości techniczne:	<p>Adaptacyjne usuwanie szumów i przepuszczanie głosu</p> <p>Dźwięk Bluetooth - Bluetooth 4.1 z aptX-HD</p> <p>Inteligentne wykrywanie dla Play/Pause/On/Off</p> <p>Ładowanie USB-C i interfejs audio</p> <p>Akumulator litowy wielokrotnego ładowania</p> <p>Poduszki z pianki pokryte miękką skórą</p> <p>Światowa akustyka</p> <p>Najwyższej jakości materiały i jakość wykonania</p> <p>Mobilna aplikacja służąca do spersonalizowanego odtwarzania dźwięku</p> <p>Płaska konstrukcja</p>
Kodeki Bluetooth:	<p>aptx-HD</p> <p>AAC</p> <p>SBC</p>
Profile Bluetooth:	<p>A2DP v1.3</p> <p>AVRCP v1.6</p> <p>HFP v1.6</p> <p>HSP v1.2</p> <p>GAP</p> <p>SDAP</p> <p>DIP</p>
Jednostki napędowe:	2 x 40mm pełno-zakresowe
Zakres częstotliwości:	10Hz do 20kHz
Impedancja:	22 Ohms
Zniekształcenie (THD):	<0.3% (1kHz/10mW)
Czułość:	111dB/V @ 1kHz
Żywotność baterii:	22 godziny BT/ANC, 29 godziny tylko po BT, 33 godziny połączone kablem z ANC, 50 godzin połączenia kablowego.
Wejścia:	Bluetooth, 3.5mm stereo jack, USB-C audio
Dołączone Akcesoria:	1.2m kabel audio stereo, 1.2m kabel USB-A to USB-C. Etui ochronne
Waga:	335 gramy

Καθώς ήρθατε στη Bowers & Wilkins και στα Ασύρματα ακουστικά PX.

Σας ευχαριστούμε που επιλέξατε ένα προϊόν της Bowers & Wilkins. Ο John Bowers ίδρυσε την εταιρεία μας με την πεποίθηση ότι η ευφάνταστη σχεδίαση, η καινοτομία στην ανάπτυξη και η εξελιγμένη τεχνολογία θα ήταν τα κλειδιά που θα άνοιγαν νέους κόσμους απόλαυσης του ήχου στο σπίτι. Εξακολουθούμε να συμμεριζόμαστε αυτή την άποψη, η οποία άλλωστε εμπνέει όλα τα προϊόντα που σχεδιάζουμε.

Τα ακουστικά PX είναι μονάδες τοποθέτησης επάνω στο αυτί, υψηλής απόδοσης, οι οποίες σας εξασφαλίζουν την καλύτερη δυνατή ηχητική εμπειρία, σε συνδυασμό με την άνεση της ασύρματης λειτουργίας και τη γαλήνη της εξουδετέρωσης των θορύβων. Σε αυτές τις οδηγίες θα βρείτε όλα όσα χρειάζεστε προκειμένου να αξιοποιήσετε στο μέγιστο τα ακουστικά PX.

Τα ακουστικά PX μπορούν να αναπαράγουν μουσική μέσω ασύρματης ροής δεδομένων από το κινητό σας τηλέφωνο, το tablet ή τον υπολογιστή σας μέσω Bluetooth ή μέσω ενός καλωδίου συμβατικά συνδεδεμένου με βύσμα σε μια κατάλληλη υποδοχή για ακουστικά. Τα ακουστικά PX μπορούν επίσης να αναπαράγουν ήχο μέσω σύνδεσης USB από υπολογιστή, καθώς και να χρησιμοποιούνται για ασύρματη τηλεφωνία.

Στα χαρακτηριστικά Real World Listening (Πραγματική ακρόαση) των ακουστικών PX συγκαταλέγεται το Environment Filter (Φίλτρο περιβάλλοντος) και η δυνατότητα Voice Pass-through (Διέλευση φωνής). Η δυνατότητα εξουδετέρωσης θορύβων Environment Filter (Φίλτρο περιβάλλοντος) είναι προαιρετική και μπορεί να ενεργοποιηθεί ή να απενεργοποιηθεί απλά μέσω ενός κουμπιού επάνω στα ακουστικά. Η δυνατότητα Voice Pass-through (Διέλευση φωνής) επιτρέπει να ακούγονται καθαρά εξωτερικοί ήχοι, όπως οι συζητήσεις και οι ανακοινώσεις ασφαλείας, χωρίς να χρειάζεται να αφαιρεθούν τα ακουστικά. Οι δυνατότητες Environment Filter (Φίλτρο περιβάλλοντος) και Voice Pass-through (Διέλευση φωνής) ενεργοποιούνται μέσω του λειτουργικού συστήματος Headphone iOS και της διαθέσιμης εφαρμογής Android. Η εφαρμογή επίσης επιτρέπει τη ρύθμιση ορισμένων χαρακτηριστικών των ακουστικών.

Τα ακουστικά PX ενσωματώνουν μια επαναφορτιζόμενη μπαταρία. Όταν είναι πλήρως φορτισμένη και ανάλογα με τον βαθμό χρήσης του Bluetooth και των χαρακτηριστικών Environment Filter (Φίλτρο περιβάλλοντος) και Voice Pass-through (Διέλευση φωνής), η μπαταρία επαρκεί για χρήση έως 22 ωρών, σε μέσα επίπεδα έντασης ήχου.

1. Περιεχόμενα της συσκευασίας των PX

- i. Ασύρματα ακουστικά PX
- ii. Καλώδιο φόρτισης USB
- iii. Καλώδιο με βύσμα ήχου
- iv. Θήκη φύλαξης
- v. Πακέτο τεκμηρίωσης

Πληροφορίες σχετικά με το περιβάλλον

Αυτό το προϊόν πληροί τις διεθνείς οδηγίες, στις οποίες συγκαταλέγονται, χωρίς περιορισμούς, η οδηγία Restriction of Hazardous Substances (RoHS - Περιορισμός στη χρήση επικίνδυνων ουσιών) για ηλεκτρικό και ηλεκτρονικό εξοπλισμό, η οδηγία Registration, Evaluation, Authorisation and restriction of Chemicals (REACH - Καταχώριση, αξιολόγηση, αδειοδότηση και περιορισμοί των χημικών προϊόντων) και η οδηγία σχετικά με την απόρριψη Waste Electrical and Electronic Equipment (WEEE - Απόβλητα ηλεκτρικού και ηλεκτρονικού εξοπλισμού). Για οδηγίες σχετικά με τους τρόπους σωστής ανακύκλωσης ή απόρριψης αυτού του προϊόντος, συμβουλευτείτε την τοπική αρχή απόρριψης αποβλήτων.

2. Παρουσίαση των ακουστικών PX

Αφού ενεργοποιηθούν μέσω του συρόμενου διακόπτη λειτουργίας που υπάρχει στο δεξί ακουστικό, τα ακουστικά PX μπορούν να ελεγχονται μέσω των κουμπιών Αναπαραγωγής/Παύσης και Έντασης ήχου που βρίσκονται επίσης στο δεξί ακουστικό. Μια συσκευή συνδεδεμένη μέσω Bluetooth ή USB θα έχει επίσης τη δυνατότητα να ελέγχει την ένταση του ήχου των ακουστικών και την αναπαραγωγή του ήχου.

Μια ενδεικτική λυχνία δίπλα στο κουμπί Bluetooth υποδεικνύει την κατάσταση της σύνδεσης και τη στάθμη φόρτισης της μπαταρίας. Τα ακουστικά επίσης αναπαράγουν ηχητικά σήματα για ορισμένες εντολές ελέγχου και συμβάντα.

Σημείωση: Ο τρόπος που φωτίζονται οι ενδεικτικές λυχνίες εμφανίζεται σε κατάλογο, στο Διάγραμμα 7.

Σημείωση: Τα ηχητικά σήματα μπορούν να ενεργοποιούνται και να απενεργοποιούνται με το πάτημα των κουμπιών Αναπαραγωγής/Παύσης και Έντασης ήχου + ταυτόχρονα.

Μια υποδοχή σύνδεσης USB και μια υποδοχή σύνδεσης βύσματος ήχου υπάρχουν στο κάτω μέρος του δεξιού ακουστικού. Το δεξιά ακουστικό επίσης ενσωματώνει ένα κουμπί επανεκκίνησης με οπή για ακίδα, κάτω από την επένδυση.

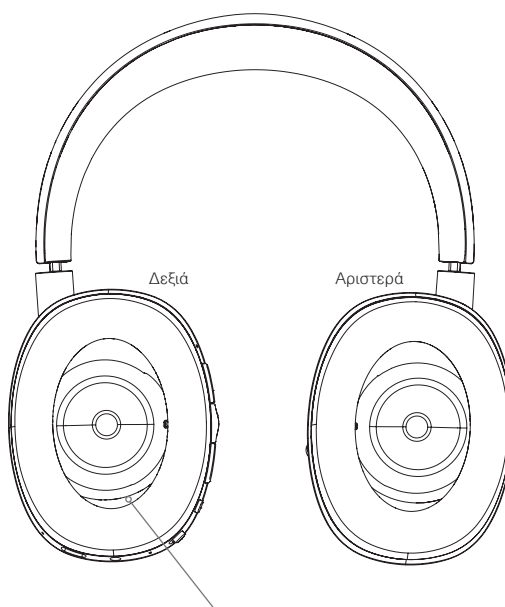
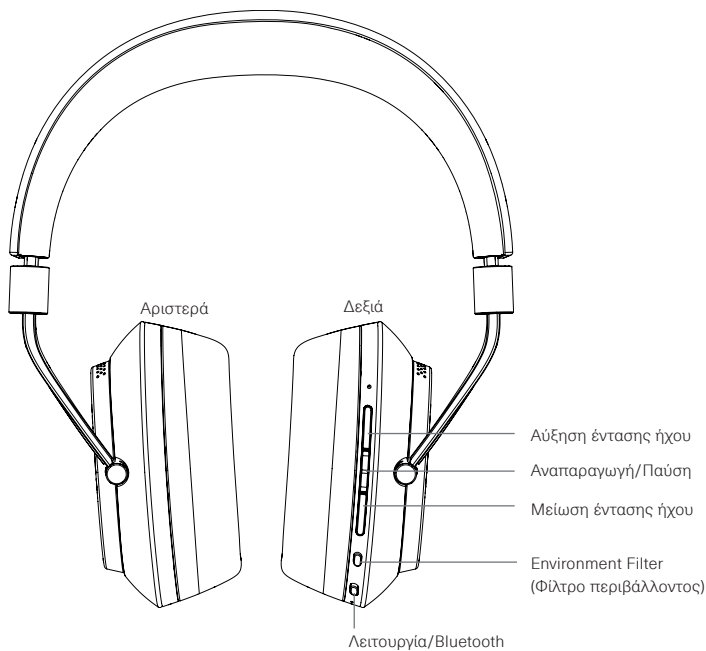
Σημείωση: Ο τρόπος σύνδεσης καλωδίων με βύσμα ήχου και USB περιγράφεται στην Ενότητα 10.

Τα ακουστικά PX ενσωματώνουν στο κάθε ακουστικό αισθητήρες εγγύτητας, οπότε περνούν σε κατάσταση αναμονής και αποσυνδέονται από οποιοδήποτε συνδεδεμένες συσκευές Bluetooth, δύο λεπτά αφού απομακρυνθούν από το κεφάλι. Επανέρχονται αυτόματα από την κατάσταση αναμονής και συνδέονται στη συσκευή Bluetooth που ήταν συνδεδεμένη πιο πρόσφατα, αφού φορεθούν στο κεφάλι.

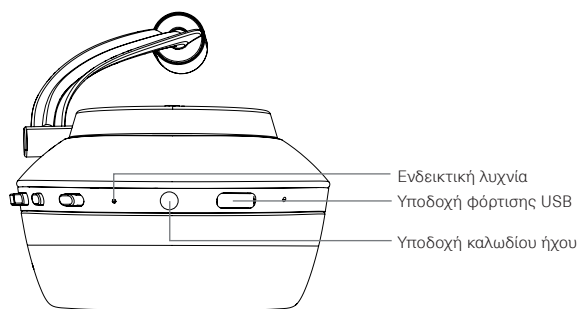
Ένα κουμπί στο πλάι του κουμπιού λειτουργίας ενεργοποιεί και απενεργοποιεί τη δυνατότητα διαχείρισης θορύβου Environment Filter (Φίλτρο περιβάλλοντος). Όταν έχει ενεργοποιηθεί, το Environment Filter (Φίλτρο περιβάλλοντος) λειτουργεί και στις τρεις εισόδους ακουστικών: Bluetooth, USB και βύσμα ήχου.

Σημείωση: Και οι δύο λειτουργίες παρατίθενται στο διάγραμμα 8.

Η εφαρμογή Bowers & Wilkins Headphone παρέχει εκτεταμένες λειτουργίες ρύθμισης και ελέγχου, συμπεριλαμβανομένων των δυνατοτήτων Environment Filter (Φίλτρο περιβάλλοντος) και Voice Pass-through (Διάλευση φωνής), καθώς και ρύθμιση και επιλογή λειτουργίας. Η ευαισθησία του αισθητήρα εγγύτητας του ακουστικού μπορεί επίσης να προσαρμοστεί μέσα από την εφαρμογή. Η εφαρμογή είναι διαθέσιμη ως δωρεάν αρχείο λήψης για τις συσκευές με λειτουργικό σύστημα iOS και Android.



Διάγραμμα 1 Κουμπί επανεκκίνησης με οπή για ακίδα
Κύριες δυνατότητες



Διάγραμμα 2
Κάτω όψη

3. Φόρτιση της μπαταρίας

Τα ακουστικά PX αποστέλλονται με την μπαταρία φορτισμένη και μπορούν να χρησιμοποιηθούν αμέσως, ωστόσο, είναι καλή πρακτική να φορτίζεται πλήρως η μπαταρία πριν από την πρώτη χρήση. Ενδέχεται να χρειαστούν έως 3 ώρες προκειμένου να φθάσουν τα ακουστικά PX σε πλήρη φόρτιση. Ωστόσο, υπάρχει δυνατότητα να χρησιμοποιούνται, ενόσω η μπαταρία φορτίζει.

Σημείωση: Όταν ενεργοποιούνται τα ακουστικά PX, η ενδεικτική λυχνία υποδεικνύει αρχικά τη στάθμη φόρτισης της μπαταρίας. Το πράσινο χρώμα υποδεικνύει ότι η στάθμη φόρτισης της μπαταρίας είναι υψηλότερη από 50%. Το κίτρινο χρώμα υποδεικνύει ότι η στάθμη φόρτισης της μπαταρίας είναι μεταξύ 50% και 30%. Το κόκκινο χρώμα υποδεικνύει ότι η στάθμη φόρτισης της μπαταρίας είναι χαμηλότερη από 30%. Αν η ενδεικτική λυχνία αναβοσβήνει με κόκκινο χρώμα, η στάθμη φόρτισης της μπαταρίας είναι ανεπαρκής για να λειτουργήσουν τα ακουστικά. Ο τρόπος που φωτίζονται οι ενδεικτικές λυχνίες περιγράφεται λεπτομερώς στο Διάγραμμα 7.

Η φόρτιση της μπαταρίας περιγράφεται στις ακόλουθες παραγράφους:

- Με χρήση του παρεχόμενου καλωδίου φόρτισης USB, συνδέστε τα ακουστικά σε μια ρευματοφόρο υποδοχή USB: μια υποδοχή USB υπολογιστή, έναν φορτιστή USB ρεύματος ή έναν φορτιστή αυτοκινήτου.
- Κατά τη φόρτιση, η ενδεικτική λυχνία των ακουστικών αναβοσβήνει με πράσινο χρώμα. Καθώς η στάθμη φόρτισης αυξάνεται, το χρονικό διάστημα ανάμματος όταν αναβοσβήνει η λυχνία γίνεται μεγαλύτερο. Όταν φορτιστεί πλήρως η μπαταρία, η ενδεικτική λυχνία θα παραμείνει αναμμένη.

4. Χρήση των ακουστικών σας

Η σωστή χρήση των ακουστικών διασφαλίζει ότι η απόδοσή τους θα φτάσει το μέγιστο δυνατό. Αρχικά, ξεχωρίστε ποιο είναι το αριστερό και ποιο το δεξί ακουστικό. Οι λεζάντες αναγνώρισης βρίσκονται στο κάτω εσωτερικό μέρος της ταινίας κεφαλιού, όπως απεικονίζεται στο Διάγραμμα 3.

Τοποθετήστε τα ακουστικά στο κεφάλι σας, με την ταινία κεφαλής ρυθμισμένη έτσι ώστε το κάθε ακουστικό να ακουμπά άνετα επάνω στο αυτί, όπως εικονίζεται στο Διάγραμμα 4. Βεβαιωθείτε ότι τα ακουστικά δεν τραβιούνται προς τα επάνω και δεν προκαλούν περιττή πίεση στο κεφάλι σας.

Σας συνιστούμε να ξαναβάζετε τα ακουστικά σας στη θήκη τους, όταν δεν τα χρησιμοποιείτε.

Σημείωση: Όταν φοράτε γυαλιά που παραμορφώνουν το προφίλ των αυτιών σας, ενδέχεται να προκληθεί πρόβλημα με την απόδοση του Environment Filter (Φίλτρο περιβάλλοντος) των ακουστικών. Αντίστοιχα, όταν παγιδεύονται μαλλιά ανάμεσα στα αυτιά σας και τα ακουστικά, ενδέχεται να δημιουργηθεί πρόβλημα στους αισθητήρες εγγύτητας.

5. Ενεργοποίηση και απενεργοποίηση

Για να ενεργοποιήσετε τα ακουστικά PX, ωθήστε το κουμπί λειτουργίας στα πλάγια, όπως φαίνεται στο Διάγραμμα 5.

Τα ακουστικά PX είναι σχεδιασμένα έτσι ώστε να μεταβαίνουν με έξυπνο τρόπο στη λειτουργία αναμονής και να αποσυνδέονται από το Bluetooth όταν δεν χρησιμοποιούνται και να ενεργοποιούνται όταν φοριούνται, οπότε γενικώς δεν χρειάζεται να απενεργοποιούνται. Ωστόσο, εάν θέλετε να απενεργοποιήσετε τα ακουστικά, ωθήστε το κουμπί λειτουργίας και συγκρατήστε το για ένα ή δύο δευτερόλεπτα. Η ενδεικτική λυχνία θα αναβοσβήσει με κόκκινο χρώμα, για την επιβεβαίωση της απενεργοποίησης.

Από τα ακουστικά θα ακουστεί ένα ηχητικό σήμα, καθώς ενεργοποιούνται και απενεργοποιούνται.

Σημείωση: Αν τα ακουστικά PX παραμείνουν ενεργοποιημένα αλλά ανενεργά επί περισσότερα από δύο λεπτά, θα μεταβούν αυτόματα στη λειτουργία αναμονής, για εξοικονόμηση ισχύος της μπαταρίας.

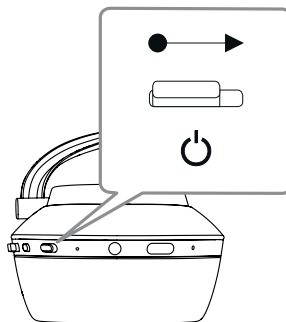
Σημείωση: Η ευαισθησία των αισθητήρων εγγύτητας του ακουστικού που ελέγχουν την ενεργοποίηση και την αναμονή μπορεί να ρυθμιστεί μέσα από την εφαρμογή των ακουστικών.



Διάγραμμα 3
Προσδιορισμός αριστερού και δεξιού



Διάγραμμα 4
Προσαρμογή του ακουστικού



Διάγραμμα 5
Ενεργοποίηση

6. Σύζευξη Bluetooth

Για να συνδέσετε τα ακουστικά PX σε μια συσκευή ήχου με δυνατότητα Bluetooth, όπως το κινητό τηλέφωνό σας, πρέπει πρώτα να γίνει «σύζευξη» με τη συσκευή. Αφού συζευχθούν, η συσκευή Bluetooth και τα ακουστικά θα «απομνημονεύσουν» το ένα το άλλο και μπορούν να συνδεθούν χωρίς επανασύζευξη όταν βρίσκονται εντός εμβέλειας.

Την πρώτη φορά που ενεργοποιείτε τα ακουστικά PX θα εκκινήθουν σε λειτουργία σύζευξης Bluetooth. Για τη σύζευξη μιας συσκευής, ακολουθήστε τα παρακάτω βήματα:

- Βεβαιωθείτε ότι τα ακουστικά είναι ενεργοποιημένα και βρίσκονται σε Pairing Mode (Λειτουργία ζεύξης). Η ενδεικτική λυχνία θα αναβοσβήνει με μπλε χρώμα.
- Ανοίξτε τις ρυθμίσεις Bluetooth στη συσκευή που πρόκειται να συζευχθεί και διασφαλίστε ότι το Bluetooth είναι ενεργοποιημένο. Το «PX Bowers & Wilkins» θα εμφανιστεί ως διαθέσιμη συσκευή. Επιλέξτε το «PX Bowers & Wilkins» και κλείστε τις ρυθμίσεις Bluetooth.
- Η ενδεικτική λυχνία των ακουστικών θα αναβοσβήνει με μπλε χρώμα ενόσω γίνεται σύζευξη και θα μεταβεί σε σταθερό μπλε χρώμα όταν επιτευχθεί σύζευξη. Τα ακουστικά θα εκπέμπουν επίσης ένα ηχητικό σήμα όταν επιτυγχάνεται σύζευξη.
- Αφού επιτευχθεί σύζευξη, βεβαιωθείτε ότι έχουν επιλεγεί τα ακουστικά ως συσκευή αναπαραγωγής στις εφαρμογές ήχου.

Για τις επόμενες συζεύξεις, τα ακουστικά σας πρέπει να περάσουν μη αυτόματα στη λειτουργία σύζευξης: Αυτό απεικονίζεται στο Διάγραμμα 6.

- Με τα ακουστικά ενεργοποιημένα, πατήστε παρατεταμένα το συνδυασμένο κουμπί Bluetooth/λειτουργίας απευθείας προς τα μέσα, επί δύο δευτερόλεπτα. Η ενδεικτική λυχνία θα αναβοσβήσει με μπλε χρώμα και από τα ακουστικά θα ακουστεί ένα ηχητικό σήμα, καθώς μεταβαίνουν στον τρόπο λειτουργίας σύζευξης.
- Και πάλι, μεταβείτε στην οθόνη ρύθμισης Bluetooth της συσκευής που θέλετε να τειθεί σε σύζευξη με τα ακουστικά και αναζητήστε την ένδειξη «PX Bowers & Wilkins», στη λίστα. Πατήστε επάνω της και οι δύο συσκευές θα τειθούν σε σύζευξη.

Σημείωση: Αν δεν συζευχθεί καμία συσκευή μέσα σε πέντε λεπτά, τα ακουστικά σας θα εξέλθουν αυτόματα από τη λειτουργία σύζευξης Bluetooth.

Σημείωση: Η σύζευξη ενδέχεται κατά καιρούς να αποτύχει, στην οποία περίπτωση η ενδεικτική λυχνία των ακουστικών θα αναβοσβήνει με μπλε χρώμα, σε ριπές των δύο δευτερολέπτων. Δοκιμάστε και πάλι, με τις δύο συσκευές πλησιέστερα μεταξύ τους.

6.1 Σημειώσεις σύζευξης Bluetooth

- Τα ακουστικά PX που χρησιμοποιείτε μπορούν να απομνημονεύσουν έως και οκτώ συζευγμένες συσκευές Bluetooth. Υπάρχει δυνατότητα σύζευξης δύο συσκευών ταυτόχρονα, για την ενεργοποίηση, για παράδειγμα της αναπαραγωγής μουσικής από τη μία συσκευή, ενώ γίνονται τηλεφωνικές κλήσεις από την άλλη.
- Όταν τα ακουστικά σας εκκινούνται μετά από ένα χρονικό διάστημα παραμονής εκτός λειτουργίας ή σε λειτουργία αναμονής, θα συνδεθούν στη συσκευή που συνδέθηκε πιο πρόσφατα, εάν είναι συνδεδεμένη και εντός εύρους. Οι άλλες συζευγμένες συσκευές δεν θα συνδεθούν αυτόματα, αλλά πρέπει να επιλεγθούν για σύνδεση μέσω των ρυθμίσεων Bluetooth.
- Όταν τα ακουστικά είναι αποσυνδεδεμένα, το πάτημα του κουμπιού Bluetooth των ακουστικών οποιαδήποτε στιγμή θα ενεργοποιήσει τη σύνδεση στη συσκευή που είχε συνδεθεί πιο πρόσφατα, αν υπάρχει δυνατότητα.
- Για την αποσύνδεση μιας συσκευής πηγής Bluetooth από τα ακουστικά PX, πατήστε γρήγορα δύο φορές το κουμπί Bluetooth. Με αυτόν τον τρόπο αποσυνδέονται όλες οι συνδεδεμένες συσκευές Bluetooth. Τα ακουστικά θα αναπαράγουν ένα ηχητικό σήμα όταν αποσυνδέεται το Bluetooth.

- Η μνήμη της συσκευής που έχει συνδεθεί με τα ακουστικά μπορεί να διαγραφεί πατώντας παρατεταμένα το κουμπί Bluetooth και μείωσης της έντασης του ήχου ταυτόχρονα, επί 2 δευτερόλεπτα. Η ενδεικτική λυχνία θα αναβοσβήνει και τα ακουστικά σας θα επανεκκινήθουν.

7. Έλεγχος του ήχου Bluetooth

Τα κουμπιά Αναπαραγωγής/Παύσης, Αύξησης και Μείωσης έντασης ήχου των ακουστικών PX μπορούν να χρησιμοποιηθούν για τον έλεγχο του ήχου:

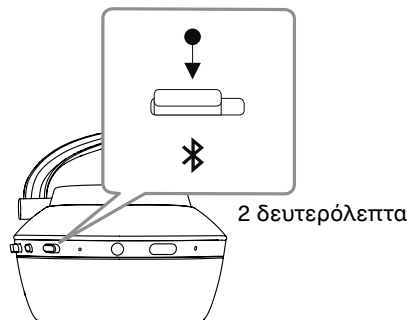
- Για να αυξήσετε την ένταση, κρατήστε πατημένο το κουμπί αύξησης έντασης.
- Για να μειώσετε την ένταση, κρατήστε πατημένο το κουμπί μείωσης έντασης.
- Για να αναπαράγετε ή να κάνετε παύση αναπαραγωγής ήχου, πατήστε και αφήστε το κουμπί αναπαραγωγής/παύσης.
- Για να επιλέξετε το επόμενο κομμάτι, πατήστε γρήγορα δύο φορές το κουμπί αναπαραγωγής/παύσης.
- Για να επιλέξετε το προηγούμενο κομμάτι, πατήστε γρήγορα τρεις φορές το κουμπί αναπαραγωγής/παύσης.

8. Real World Listening (Πραγματική ακρόαση)

Η λειτουργία εξουδετέρωσης θορύβων Environment Filter (Φίλτρο περιβάλλοντος) των ακουστικών PX ενεργοποιείται με το πάτημα του κουμπιού Environment Filter (Φίλτρο περιβάλλοντος), στο πλάι του δεξιού ακουστικού. Η λειτουργία Environment Filter (Φίλτρο περιβάλλοντος) απενεργοποιείται ως προεπιλογή. Υπάρχουν διαθέσιμα τρία εναλλακτικά προφίλ Environment Filter (Φίλτρο περιβάλλοντος), τα οποία παρέχουν χαρακτηριστικά εξουδετέρωσης θορύβου, ρυθμισμένα για διαφορετικά περιβάλλοντα. Αυτά επιλέγονται μέσω της εφαρμογής Bowers & Wilkins Headphone. Το κουμπί λειτουργίας (on/off) του Environment Filter (Φίλτρο περιβάλλοντος) στο δεξί ακουστικό θα επιλέξει το προφίλ εξουδετέρωσης θορύβων που είχε επιλεγεί τελευταία.

Η δυνατότητα Voice Pass-through (Διέλευση φωνής) των ακουστικών PX επιτρέπει να ακούγονται εξωτερικοί ήχοι, όπως οι συζητήσεις και οι ανακοινώσεις ασφαλείας, χωρίς να χρειάζεται να αφαιρεθούν τα ακουστικά. Η δυνατότητα Voice Pass-through (Διέλευση φωνής) επιλέγεται μέσω της εφαρμογής Bowers & Wilkins Headphone.

Σημείωση: Οι λειτουργίες Environment Filter (Φίλτρο περιβάλλοντος) και Voice Pass-through (Διέλευση φωνής) δεν χρειάζονται τα ακουστικά προκειμένου να αναπαράγουν ένα ηχητικό σήμα. Εάν γίνεται αναπαραγωγή ήχου μέσω των ακουστικών, το πόσο καθαρά θα γίνεται η διέλευση φωνής μέσω του Voice Pass-through θα εξαρτάται πάντοτε σε κάποιον βαθμό από τον χαρακτήρα και την έντασή της.



Διάγραμμα 6
Αυτόματη μετάβαση στη λειτουργία σύζευξης Bluetooth

Σημείωση: Όταν φοράτε γυαλιά που παραμορφώνουν το προφίλ των αυτιών σας, ενδέχεται να προκληθεί πρόβλημα με την απόδοση του Environment Filter (Φίλτρο περιβάλλοντος) των ακουστικών. Αντίστοιχα, όταν παγιδεύονται μαλλιά ανάμεσα στα αυτιά σας και τα ακουστικά, ενδέχεται να δημιουργηθεί πρόβλημα στους αισθητήρες εγγύτητας.

9. Χρήση κινητού τηλεφώνου

Τα ακουστικά PX μπορούν να χρησιμοποιηθούν με ένα κινητό τηλέφωνο συνδεδεμένο μέσω Bluetooth, για τη διεξαγωγή φωνητικών κλήσεων:

- Για να απαντήσετε σε μια κλήση, πατήστε και αφήστε το κουμπί αναπαραγωγής/παύσης.
- Για να απορρίψετε μια κλήση, πατήστε το κουμπί αναπαραγωγής/παύσης για δύο δευτερόλεπτα.
- Για να τερματίσετε μια κλήση, πατήστε και αφήστε το κουμπί αναπαραγωγής/παύσης.

Ενώ βρίσκεται σε εξέλιξη μια τηλεφωνική κλήση, ο ήχος Bluetooth που αναπαράγεται εισέρχεται σε κατάσταση παύσης. Συνεχίζεται όταν τερματίζεται η κλήση.

Σημείωση: Οι λειτουργίες του τηλεφώνου θα λειτουργούν μόνο όταν τα ακουστικά έχουν συνδεθεί μέσω Bluetooth.

10. Ενσύρματη σύνδεση

Εκτός από την ασύρματη λειτουργία, τα ακουστικά PX μπορούν να συνδεθούν σε μια πηγή αναπαραγωγής ήχου, χρησιμοποιώντας το παρεχόμενο καλώδιο με βύσμα ήχου και USB.

Η σύνδεση καλωδίου με βύσμα ήχου είναι χρήσιμη εάν τα ακουστικά πρόκειται να χρησιμοποιηθούν μέσα σε αεροπλάνο ή με πηγή ήχου εκτός Bluetooth, όπως είναι ένα παραδοσιακό σύστημα hi-fi.

Σημείωση: Τα ακουστικά PX πρέπει να φορτίζονται και να ενεργοποιούνται για την αναπαραγωγή ήχου με τη χρήση της σύνδεσης μέσω καλωδίου με βύσμα ήχου.

Η σύνδεση USB δίνει τη δυνατότητα να λειτουργούν τα ακουστικά PX ως συσκευή εξόδου ήχου USB, όταν συνδεθούν σε κατάλληλο υπολογιστή.

Σημείωση: Τα καλώδια με βύσμα USB και ήχου μπορούν να συνδεθούν ταυτόχρονα, έτσι ώστε η φόρτιση της μπαταρίας μέσω USB να μπορεί να συνεχιστεί ενόσω χρησιμοποιείται η είσοδος του βύσματος ακουστικών.

Η σύνδεση ενός καλωδίου με βύσμα ήχου και η συμπεριφορά των ακουστικών PX με την είσοδο του βύσματος σε χρήση περιγράφονται στις ακόλουθες παραγράφους:

- Πάρτε το ένα άκρο του καλωδίου με βύσμα και εισάγετε το βύσμα στην υποδοχή που βρίσκεται στο κάτω μέρος του δεξιού ακουστικού. Βεβαιωθείτε ότι το βύσμα έχει συνδεθεί πλήρως. Συνδέστε το άλλο άκρο του καλωδίου σε μια υποδοχή ακουστικών μιας συσκευής αναπαραγωγής ήχου.
- Τα χειριστήρια έντασης ήχου των ακουστικών και το κουμπί αναπαραγωγής/παύσης δεν θα λειτουργούν όταν χρησιμοποιείται μια σύνδεση με καλώδιο με βύσμα.
- Η σύνδεση ενός καλωδίου με βύσμα θα θέσει αυτόματα σε παύση τη ροή μέσω Bluetooth στα ακουστικά PX. Για την επαναφορά της ροής μέσω Bluetooth, το καλώδιο με βύσμα πρέπει να είναι αποσυνδεδεμένο από το ακουστικό.

Η σύνδεση και η χρήση του καλωδίου USB και η συμπεριφορά των ακουστικών PX με την είσοδο USB σε χρήση περιγράφονται στις ακόλουθες παραγράφους:

- Αποσυνδέστε τυχόν συνδεδεμένες συσκευές Bluetooth, πατώντας δύο φορές γρήγορα το κουμπί Bluetooth στο δεξί ακουστικό.

Σημείωση: Προκειμένου να γίνει αναπαραγωγή ήχου USB, το Bluetooth πρέπει να είναι απενεργοποιημένο.

- Συνδέστε το μικρό βύσμα USB στην υποδοχή που υπάρχει κάτω από το δεξί ακουστικό. Συνδέστε το μεγαλύτερο βύσμα USB στην υποδοχή USB ενός υπολογιστή. Εάν η υποδοχή USB του υπολογιστή είναι ενεργοποιημένη, η μπαταρία των ακουστικών θα αρχίσει αμέσως να φορτίζει.
- Επιλέξτε τα ακουστικά PX ως συσκευή αναπαραγωγής στον πίνακα ελέγχου εξόδου ήχου του υπολογιστή. Η πηγή ήχου που έχει επιλεγεί στις εφαρμογές αναπαραγωγής ήχου του υπολογιστή θα αναπαράγει τώρα μέσω των ακουστικών PX.
- Η ένταση ήχου των ακουστικών και τα χειριστήρια Αναπαραγωγής/Παύσης θα λειτουργούν κανονικά κατά την αναπαραγωγή ήχου μέσω USB.
- Για επαναφορά των λειτουργιών Bluetooth των ακουστικών, πατήστε το κουμπί Bluetooth. Τα ακουστικά θα επιχειρήσουν να συνδεθούν στη συσκευή που συνδέθηκε τελευταία.

11. Ενημέρωση του υλικολογισμικού των ακουστικών

Τα ακουστικά PX θα υφίστανται κατά καιρούς ενημέρωση του υλικολογισμικού, καθώς αναβαθμίζεται η απόδοση και προστίθενται νέες δυνατότητες.

Όταν υπάρχει διαθέσιμη μια ενημέρωση υλικολογισμικού, η εφαρμογή των ακουστικών θα εμφανίζει μια ειδοποίηση. Πατήστε επάνω στην ειδοποίηση στην εφαρμογή, για να αρχίσει η διαδικασία ενημέρωσης.

Σημείωση: Κατά τη διάρκεια της διαδικασίας ενημέρωσης του υλικολογισμικού, τα ακουστικά και η συσκευή κινητού τηλεφώνου πρέπει να παραμείνουν ενεργοποιημένα και κοντά μεταξύ τους. Είναι επίσης σημαντικό η στάθμη φόρτισης της μπαταρίας να είναι επαρκής για την ολοκλήρωση της ενημέρωσης του υλικολογισμικού. Η εφαρμογή θα υποδείξει εάν δεν υπάρχει επαρκής φόρτιση μπαταρίας για την ολοκλήρωση της ενημέρωσης του υλικολογισμικού.

12. Επαναφορά και επανεκκίνηση των ακουστικών

Μπορεί να γίνει επαναφορά των ακουστικών PX στις προεπιλεγμένες ρυθμίσεις, με τη χρήση της επιλογής Factory Reset (Επαναφορά στις εργοστασιακές ρυθμίσεις) τής εφαρμογής των ακουστικών ή επανεκκίνηση με το πάτημα του κουμπιού επανεκκίνησης με οπή για ακίδα, που βρίσκεται μέσα στο δεξί ακουστικό. Το κουμπί με οπή για ακίδα απεικονίζεται στο Διάγραμμα 1.

Για τη χρήση του κουμπιού επανεκκίνησης, χρησιμοποιήστε έναν ισχυμένο συνδετήρα και πατήστε παρατεταμένα επί δύο δευτερόλεπτα. Κατά τη διάρκεια της διαδικασίας επανεκκίνησης, τα ακουστικά θα απενεργοποιηθούν. Ενεργοποιήστε τα ακουστικά για να ολοκληρώσετε τη διαδικασία επανεκκίνησης.

Σημείωση: Η επανεκκίνηση με οπή ακίδας δεν θα διαγράψει τη μνήμη της συσκευής που έχει συζευχθεί μέσω Bluetooth.

13. Καθαρισμός των ακουστικών PX

Τα ακουστικά PX μπορούν να καθαριστούν με ένα υγρό ύφασμα και σκούπισμα, ωστόσο καθαρίσουν. Μην τρίβετε το ύφασμα επάνω στο δέρμα. Μη χρησιμοποιείτε απορρυπαντικά καθαρισμού ή βερνίκι δέρματος, καθώς ενδέχεται να προκληθεί ζημιά στα ακουστικά σας.

Σημείωση: Τα δερμάτινα μέρη των ακουστικών PX συνδέονται μαγνητικά και μπορούν να αφαιρεθούν για καθαρισμό, εάν χρειάζεται, με προσεκτικό τράβηγμα από τον κορμό του ακουστικού.

Διάγραμμα 7 Φωτισμός ενδεικτικής λυχνίας

Φωτισμός	Ένδειξη
Πράσινο (αναβοσβήνει αργά)	Φόρτιση της μπαταρίας
Πράσινο χρώμα	Ακουστικά ενεργοποιημένα, φόρτιση μπαταρίας > 50%
Κίτρινο	Ακουστικά ενεργοποιημένα, φόρτιση μπαταρίας > 30%
Κόκκινο	Ακουστικά ενεργοποιημένα, φόρτιση μπαταρίας < 30%
Κόκκινο (αναβοσβήνει αργά)	Φόρτιση μπαταρίας ανεπαρκής για τη λειτουργία των ακουστικών
Κόκκινο (αναβοσβήνει)	Τα ακουστικά απενεργοποιούνται
Μπλε	Η σύνδεση μέσω Bluetooth αποκαταστάθηκε
Μπλε (αναβοσβήνει)	Η λειτουργία σύζευξης Bluetooth ενεργή
Μπλε (αναβοσβήνει αργά)	Σύζευξη μέσω Bluetooth σε εξέλιξη
Μπλε (αναβοσβήνει επαναλαμβανόμενα)	Η σύζευξη μέσω Bluetooth απέτυχε
Λευκό	Environment Filter (Φίλτρο περιβάλλοντος) ενεργό

Διάγραμμα 8 Λειτουργίες κουμπιών

Κουμπί	Ενέργεια	Λειτουργία
On/Off/Bluetooth	Ωθηση	Ενεργοποίηση
	Ωθηση και κράτηση	Απενεργοποίηση
	Παρατεταμένο πάτημα	Είσοδος στη λειτουργία σύζευξης
Πάτημα	2 πατήματα	Σύνδεση στην τελευταία συνδεδεμένη συσκευή Bluetooth
	2 πατήματα	Αποσύνδεση όλων των συσκευών Bluetooth
On/Off/Bluetooth και μείωση έντασης	Παρατεταμένο πάτημα και των δύο	Διαγραφή μνήμης συσκευής Bluetooth
Environment Filter (Φίλτρο περιβάλλοντος)	Πάτημα	Εμπλοκή ή απεμπλοκή τελευταίας ρύθμισης Environment Filter (Φίλτρο περιβάλλοντος) που είχε επιλεγεί στην εφαρμογή.
Αύξηση έντασης ήχου	Πάτημα	Αύξηση έντασης
Μείωση έντασης	Πάτημα	Μείωση έντασης
Αναπαραγωγή/Παύση	Πάτημα	Αναπαραγωγή ή παύση ήχου
	2 πατήματα	Αναπαραγωγή επόμενου κομματιού
	3 πατήματα	Αναπαραγωγή προηγούμενου κομματιού

Σημείωση: Τα χειριστήρια έντασης ήχου των ακουστικών και το κουμπί αναπαραγωγής/παύσης δεν θα λειτουργούν όταν χρησιμοποιείται μια σύνδεση με καλώδιο με βύσμα.

Αναπαραγωγή/Παύση	Πάτημα	Απάντηση ή τερματισμός κλήσης τηλεφώνου
	Παρατεταμένο πάτημα	Απόρριψη τηλεφωνικής κλήσης

Σημείωση: Οι λειτουργίες του τηλεφώνου θα λειτουργούν μόνο όταν τα ακουστικά έχουν συνδεθεί μέσω Bluetooth.

Αναπαραγωγή/Παύση και αύξηση έντασης	Πάτημα και των δύο	Ενεργοποίηση/Απενεργοποίηση ηχητικών σημάτων
--------------------------------------	--------------------	--

Προδιαγραφές

Τεχνικά χαρακτηριστικά:	<p>Προσαρμοσμένη εξουδετέρωση θορύβων και διέλευση φωνής</p> <p>Ήχος Bluetooth – Bluetooth 4.1 με aptX-HD</p> <p>Έξυπνη λειτουργία αισθητήρα για Αναπαραγωγή/Παύση/On/Off</p> <p>Διεπαφή φόρτισης και ήχου USB-C</p> <p>Επαναφορτιζόμενη μπαταρία λιθίου</p> <p>Μαλακά δερμάτινα μαξιλαράκια με αφρό μνήμης</p> <p>Κορυφαίος παγκοσμίως ήχος</p> <p>Εξαιρετική ποιότητα υλικών και κατασκευής</p> <p>Εφαρμογή Mobile companion για εξατομικευμένη αναπαραγωγή ήχου</p> <p>Αναδιπλούμενη επίπεδη σχεδίαση</p>
Codec για Bluetooth:	<p>aptX-HD</p> <p>AAC</p> <p>SBC</p>
Προφίλ Bluetooth	<p>A2DP v1.3</p> <p>AVRCP v1.6</p> <p>HFP v1.6</p> <p>HSP v1.2</p> <p>GAP</p> <p>SDAP</p> <p>DIP</p>
Μονάδες οδήγησης:	2 x 40 mm πλήρους εμβέλειας
Εύρος συχνοτήτων:	10 Hz έως 20 kHz
Σύνθετη αντίσταση εισόδου	22 Ohm
Παραμόρφωση (THD):	< 0,3% (1 KHz/10 mW)
Ευαισθησία:	111 dB/V στο 1 kHz
Διάρκεια ζωής μπαταρίας:	22 ώρες BT/ANC, 29 ώρες BT μόνο, 33 ώρες ενσύρματα με ANC, 50 ώρες ενσύρματα μόνο.
Είσοδοι:	Bluetooth, στερεοφωνικό βύσμα 3,5 mm, USB-C audio
Εξαρτήματα στο κουτί:	Καλώδιο ήχου 1,2 m με στερεοφωνικό βύσμα, καλώδιο 1,2 m σύνδεσης USB-A σε USB-C. Θήκη προστασίας
Βάρος:	335 γραμμάρια

Поздравляем Вас с приобретением беспроводных наушников Bowers & Wilkins PX!

Спасибо за то, что вы выбрали Bowers & Wilkins. Наш основатель, Джон Бауэрс, верил в то, что творческий подход в проектировании, новаторская конструкция и передовые технологии смогут открыть людям путь к подлинному звучанию в доме. Мы продолжаем разделять его веру, и она вдохновляет нас при проектировании всех новых продуктов.

Беспроводные PX – это высококачественные закрытые наушники, которые обеспечивают наивысшее возможное качество звучания вместе с удобствами беспроводной работы и безмятежностью прослушивания, благодаря шумоподавлению. В этой инструкции сообщается все, что вам необходимо для полного раскрытия потенциальных возможностей ваших наушников PX.

PX можно использовать как в беспроводном режиме, для воспроизведения потоковой музыки с вашего смартфона, планшета или компьютера с помощью технологии Bluetooth, так и обычном «пассивном» режиме – с подключением по кабелю к подходящему гнезду для наушников. PX могут воспроизводить аудио с компьютера через USB разъем, а также их можно использовать как гарнитуру для телефона.

Для прослушивания в реальных условиях PX оснащены такими функциями, как Environment Filter (Фильтр окружающих звуков) и Voice Pass-through (Сквозной пропуск голосов). Фильтрация окружающих звуков – это опция, которую можно включить или отключить кнопкой на наушниках. Сквозной пропуск голосов позволяет, не снимая наушники, четко расслышать содержание разговоров поблизости или же объявлений по громкой связи. Эти функции – Environment Filter и Voice Pass-through активируются с помощью приложения для смартфонов под iOS и Android. Приложение позволяет также настраивать некоторые параметры наушников.

Для работы в беспроводном режиме PX имеют внутри встроенный аккумулятор. Будучи полностью заряженным, он (в зависимости от степени использования Bluetooth, Environment Filter и Voice Pass-through) обеспечит до 22 часов работы при среднем уровне громкости.

1. Содержимое упаковки PX

- i. Беспроводные наушники PX
- ii. Кабель для зарядки с USB разъемами
- iii. Аудио кабель
- iv. Защитная сумочка
- v. Комплект документации

Информация о защите окружающей среды

Это изделие соответствует международным директивам, включая, но не ограничиваясь, директиву по ограничению использования опасных веществ (RoHS) в электрическом и электронном оборудовании, директиву по регистрации, оценке, получении разрешения и ограничению использования химических веществ (REACH), а также директиву об утилизации электрического и электронного оборудования (WEEE). Обратитесь в вашу местную организацию по утилизации отходов для информации о правильной утилизации или переработке данного изделия.

2. Знакомство с наушниками PX

Если включить беспроводные наушники PX с помощью сдвижного переключателя Power, расположенного на правой чашке, то ими можно будет управлять с помощью кнопок Play/Pause и Volume, расположенных там же. С подсоединенного по Bluetooth или через USB разъема устройства, можно будет также управлять воспроизведением и регулировать громкость.

Индикатор, расположенный рядом с кнопкой Bluetooth показывает статус соединения и степень заряда аккумулятора. Наушники PX выдают также хорошо слышимые звуковые сигналы в ответ на некоторые команды или события.

Примечание: Цветовые сигналы индикатора описаны на Diagram 7.

Примечание: звуковые сигналы можно включать и отключать, нажимая и отпуская одновременно кнопки 'Play/Pause' и 'Volume +'.

Разъем USB и разъем для аудио кабеля расположен на правой чашке наушников, вместе с крошечным отверстием для перезапуска под ней.

Примечание: Подсоединение аудио кабеля и USB кабеля описано в Разделе 10.

Наушники PX оснащены датчиками приближения, которые переводят их в режим ожидания standby и отключают от Bluetooth устройства через две минуты после снятия с головы. Они автоматически «пробуждаются» из режима ожидания и подключаются к последнему устройству Bluetooth, если их вновь надеть на голову.

Кнопка, расположенная рядом с кнопкой питания позволяет включать и отключать функцию управления шумоподавлением Environment Filter. Если она включена, фильтр работает для всех трех входов для наушников: Bluetooth, USB и аудио разъем.

Примечание: Функции кнопок приведены в Diagram 8.

Приложение Bowers & Wilkins Headphone app обеспечивает расширенные возможности настройки и управления, в том числе для функций Environment Filter и Voice Pass-through. С помощью этого приложения можно также регулировать чувствительность датчика близости. Приложение можно бесплатно загрузить для iOS и Android устройств.

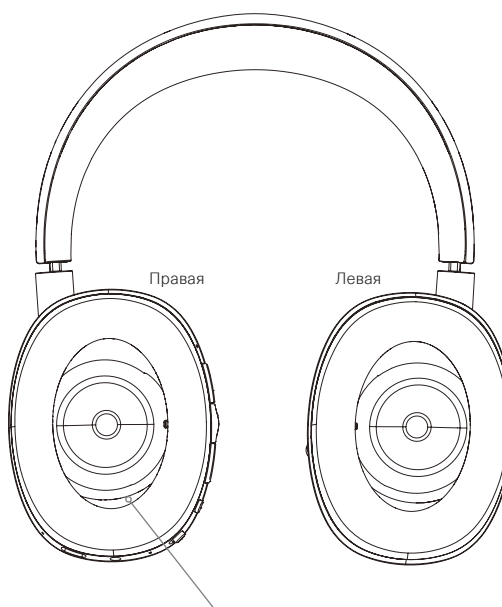
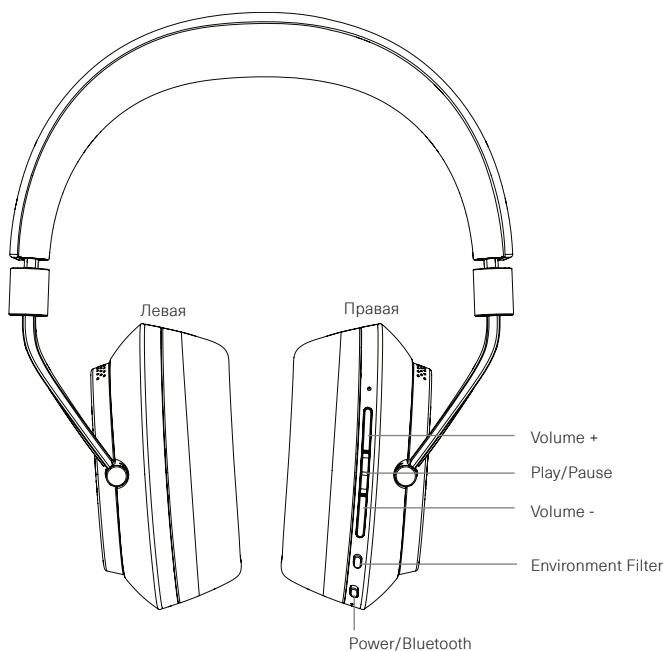


Diagram 1
Основные функции

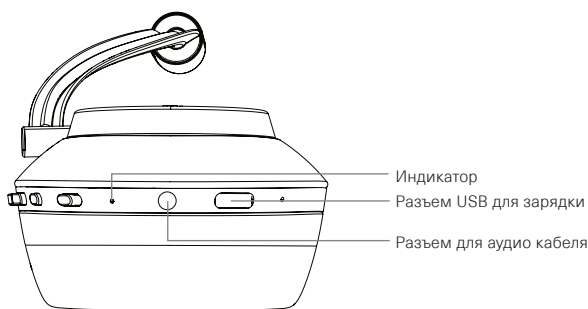


Diagram 2
Вид снизу

3. Зарядка аккумулятора

Наушники PX поставляются с частично заряженным аккумулятором и их можно использовать сразу же, однако желательно полностью зарядить аккумулятор, прежде чем их первый раз слушать. Потребуется до 3 часов для полной зарядки PX, однако их вполне можно начать слушать и в процессе зарядки.

Примечание: индикатор при включении наушников PX сначала отображает заряд. Зеленый цвет означает, что аккумулятор заряжен более, чем на 50%. Желтый цвет означает, что заряд аккумулятора составляет от 50% до 30%. Красный цвет означает, что заряд аккумулятора составляет менее 30%. Если красный индикатор мигает, значит заряд аккумулятора слишком мал для работы наушников PX. Цветовая индикация полностью описана в Diagram 7.

Процедура зарядки наушников PX описана ниже.

- Используя прилагаемый USB кабель, подключите наушники к активному USB разъему: либо к компьютерному порту USB, либо к адаптеру для зарядки USB устройств от сети или от автомобильного прикуривателя.
- В ходе зарядки индикатор наушников будет мигать зеленым цветом. По мере зарядки период его мигания будет все больше. При полной зарядке индикатор будет постоянно светиться зеленым.

4. Как носить наушники

Правильное использование наушников поможет обеспечить реализацию их полного потенциала. Сначала, определите левую и правую чашки наушников. Надписи можно найти на нижней внутренней части оголовья, как показано на Diagram 3.

Наденьте наушники на голову, отрегулировав оголовье так, чтобы каждая чашка удобно сидела над ухом – как показано на Diagram 4. Убедитесь, что чашки не оттянуты вверх и не вызывают ненужное давление на вашу голову.

Мы рекомендуем прятать наушники в сумочку для их хранения, когда вы их не используете.

Примечание: Очки, искажающие профиль ваших ушей могут помешать работе фильтра Environment Filter. Точно так же, волосы, зажатые между ушами и чашками наушников могут осложнить работу датчика приближения.

5. Включение и выключение наушников

Для включения PX сдвиньте ползунковый выключатель вправо, как показано на Diagram 5.

Ваши наушники PX сконструированы так, чтобы интеллектуально переключаться в режим ожидания и отсоединяться от Bluetooth, когда их не используют, и «просыпаться», когда вы их надеваете, так чтобы вообще не выключать их. Если вы все же хотите выключить наушники совсем, то сдвиньте ползунковый выключатель и удержите его в течение секунды или двух. Индикатор мигнет красным светом, подтверждая выключение.

Наушники реагируют слышимым звуком на включение или выключение.

Примечание: Если наушники PX оставить включенными, но никакой активности не проявлять в течение 2 минут, тогда они автоматически выключатся для экономии энергии аккумулятора.

Примечание: Чувствительность датчика приближения, который управляет включением и выключением, можно отрегулировать с помощью приложения.

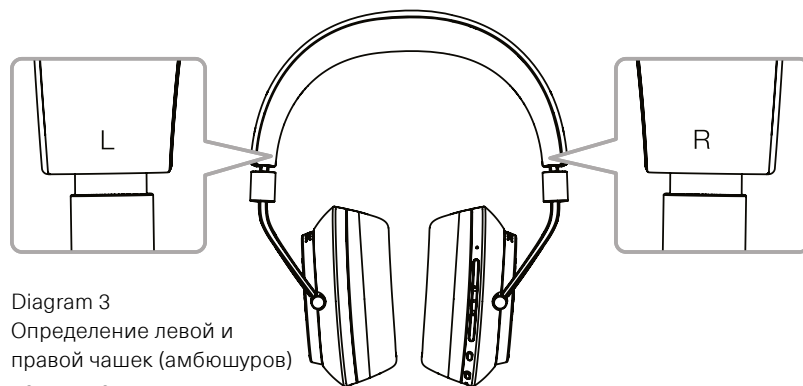


Diagram 3
Определение левой и правой чашек (амбюшуров) наушников

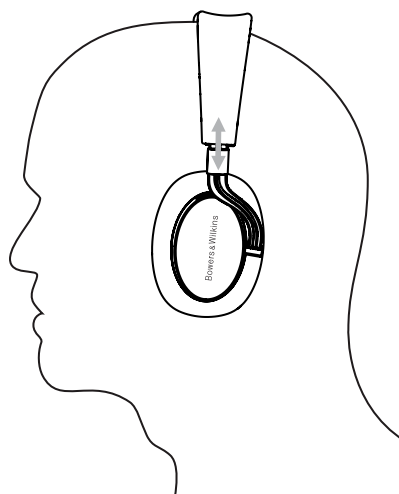


Diagram 4
Регулировка оголовья наушников

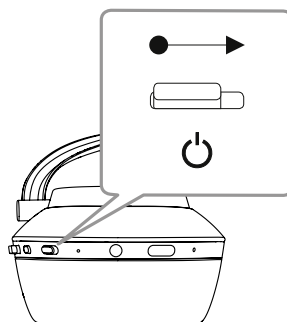


Diagram 5
Включение наушников

6. Сопряжение наушников PX с Bluetooth устройствами

Чтобы соединить наушники PX с Bluetooth совместимым аудио устройством, таким как ваш смартфон, их нужно сначала «сопрячь» с ним ("paired"). После сопряжения Bluetooth устройство и PX будут «помнить» друг о друге и смогут соединяться, будучи в зоне связи.

Когда вы включите наушники PX первый раз, они сразу войдут в режим сопряжения по Bluetooth. Для сопряжения Bluetooth устройства с PX следуйте шагам, описанным ниже.

- Убедитесь, что наушники включены и находятся в режиме сопряжения. Индикатор при этом мигает синим цветом.
- Откройте настройки Bluetooth на устройстве, которое должно быть сопряжено, и убедитесь, что режим Bluetooth на нем включен. На дисплее в качестве доступного устройства появятся 'PX Bowers & Wilkins'. Выберите 'PX Bowers & Wilkins' и закройте настройки Bluetooth.
- Индикатор наушников будет мигать синим, пока сопряжение продолжается и переключится на непрерывный синий, когда соединение будет установлено. Наушники при этом выдадут звуковой сигнал, когда сопряжение установлено.
- После того, как сопряжение установлено, убедитесь, что наушники выбраны в качестве устройства воспроизведения в аудио приложении.

Для последующих сопряжений необходимо вручную переключать наушники в режим сопряжения. Это проиллюстрировано на Diagram 6.

- При включенных PX, нажмите вниз и удержите комбинированную кнопку Bluetooth/Power в течение 2 секунд. Индикатор замигает синим цветом и наушники PX выдадут звуковой сигнал, когда войдут в режим сопряжения.
- Еще раз откройте настройки Bluetooth на устройстве, которое должно быть сопряжено, и найдите в списке PX Bowers & Wilkins. Кликните на эту строку, и между двумя устройствами будет установлено сопряжение.

Примечание: Беспроводные наушники PX автоматически выйдут из режима Bluetooth сопряжения, если в течение 5 минут не удастся сопрячь их ни с одним устройством.

Примечание: Если сопряжение не будет установлено, индикатор будет вспыхивать каждые 2 секунды. Рекомендуется во время сопряжения располагать два устройства относительно близко друг к другу.

6.1 Замечания по Bluetooth сопряжению.

- Ваши наушники PX могут запомнить до восьми сопряженных Bluetooth устройств. Можно подсоединить к PX сразу два сопряженных устройства, например, с одного из них слушать музыку, по другому принимать телефонные звонки.
- Когда ваши наушники пробуждаются после выключения или какого-то времени в режиме ожидания, они подключатся к последнему подключенному устройству, если оно в этот момент включено и находится в радиусе действия. Другие сопряженные устройства не будут подключаться автоматически, и их надо выбирать для соединения через их настройки Bluetooth.
- Когда наушники отключены, нажав на кнопку Bluetooth в любое время, вы установите соединение с последним подключенным устройством, если это возможно.
- Чтобы отсоединить Bluetooth устройство-источник от PX, нажмите дважды быстро на кнопку Bluetooth. Это разорвет соединения со всеми подключенными Bluetooth устройствами. PX выдаст также звуковой сигнал, когда Bluetooth устройство будет отсоединено.

- Память сопряженных с PX устройств можно очистить, нажав и удержав одновременно кнопки Volume – и Bluetooth в течение 2 секунд. Индикатор Bluetooth мигнет и PX перезапустится после очистки памяти.

7. Управление воспроизведением аудио по Bluetooth

Для управления воспроизведением аудио по Bluetooth можно использовать кнопки Play/Pause, Volume + и Volume – расположенные на наушниках PX.

- Чтобы увеличить громкость, нажмите и удержите кнопку Vol +.
- Чтобы уменьшить громкость, нажмите и удержите кнопку Vol –.
- Для запуска воспроизведения аудио или паузы нажмите и отпустите кнопку Play/Pause.
- Для перехода к следующему треку быстро нажмите дважды на кнопку Play/Pause.
- Для возврата к предыдущему треку нажимайте быстро трижды на кнопку Play/Pause.

8. Прослушивание в реальных условиях

Шумоподавление с помощью фильтра окружающей среды включается при нажатии на кнопку Environment Filter на правой чашке наушников. По умолчанию Environment Filter отключен. У этого фильтра имеются три альтернативных профиля, которые обеспечивают настройку характеристик шумоподавления для различных сред. Их можно выбрать через приложение Bowers & Wilkins Headphone. При включении шумоподавления кнопкой Environment Filter будет выбран последний использованный профиль шумоподавления.

Функция сквозного пропуск голосов Voice Pass-through у наушников PX позволяет услышать внешние звуки, такие как разговоры или объявления по громкой связи, без необходимости снимать наушники. Этот режим Voice Pass-through можно выбрать только через приложение Bowers & Wilkins Headphone.

Примечание: функции Environment Filter и Voice Pass-through не требуют, чтобы наушники воспроизводили звуковой сигнал. Если в наушниках играет музыка, разборчивость голосов будет всегда в какой-то степени зависеть от ее характера и уровня громкости.

Примечание: очки, искажающие профиль ваших ушей могут помешать работе фильтра Environment Filter. Точно так же, волосы зажатые между ушами и чашками наушников могут осложнить работу датчика приближения.

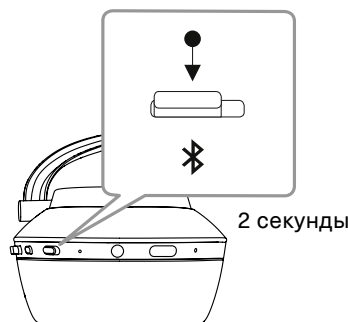


Diagram 6

Ручное переключение в режим сопряжения по Bluetooth

9. Использование мобильного телефона с беспроводными наушниками

Наушники PX можно использовать с мобильным телефоном, оснащенным Bluetooth, чтобы отвечать на звонки:

- Для ответа на звонок нажмите и отпустите кнопку Play/Pause.
- Для отказа от ответа на звонок нажимайте кнопку Play/Pause в течение 2 секунд.
- Для завершения разговора нажмите и отпустите кнопку Play/Pause.

Потоковое воспроизведение музыки по Bluetooth во время телефонного звонка будет прервано. Оно возобновится после завершения разговора.

Примечание: Телефонные функции работают только тогда, когда наушники PX соединены через Bluetooth.

10. Подсоединение наушников кабелем

Кроме работы в беспроводном режиме PX можно подсоединить к источнику музыки, используя прилагаемый аудио кабель или USB кабель.

Кабельное соединение полезно, когда аккумулятор разряжен, или когда наушники PX будут использоваться на борту самолета или вместе с источником, не оснащенным Bluetooth, таким как традиционные Hi-Fi системы.

Примечание: наушники PX должны быть заряжены и переведены в режим воспроизведения аудио с разъема.

USB соединение позволяет наушникам PX работать в качестве выходного устройства, при подключении к подходящему компьютеру.

Примечание: USB кабель и аналоговый кабель могут быть подсоединены одновременно, так чтобы зарядка аккумулятора продолжалась во время использования аналогового разъема.

Подсоединение аудио кабеля и возможности наушников PX при его использовании описано ниже:

- Возьмите один конец аудио кабеля и аккуратно вставьте его в гнездо внизу правой чашки наушников. Убедитесь, что вы вставили его до конца. Подсоедините другой конец кабеля к гнезду для наушников на вашем устройстве – источнике.
- Кнопки регулировки громкости и кнопки Play/Pause не будут работать при использовании аналогового аудио кабеля.
- Подсоединение аудио кабеля автоматически останавливает Bluetooth стриминг в наушниках PX. Для восстановления стриминга аналоговый аудио кабель должен быть вынут из разъема на наушниках.

Подключение и использование USB кабеля и функции наушников в режиме с USB входом описывается в следующих пунктах:

- Отсоедините все устройства, подключенные по Bluetooth, быстро дважды нажав кнопку Bluetooth на правой чашке наушников.

Примечание: Bluetooth должен быть отключен для воспроизведения аудио через USB.

- Вставьте маленький разъем USB в гнездо на нижней стороне правой чашки наушников. Подключите большой USB-разъем к компьютерному разъему USB. Если порт USB компьютера обеспечивает питание, аккумулятор в наушниках моментально начинает заряжаться.
- Выберите наушники PX в качестве устройства воспроизведения для аудио выхода компьютера в его панели управления. Музыка, выбранная для воспроизведения в компьютерном аудио приложении теперь будет воспроизводиться через ваши наушники PX.
- Уровень громкости наушников и контроль кнопками Play/Pause будет нормально работать при воспроизведении звука через USB.
- Чтобы восстановить функции Bluetooth для наушников, нажмите кнопку Bluetooth. Наушники будут пытаться подключиться к последнему подключенному устройству.

11. Обновление прошивки ПО наушников

Для ваших наушники PX иногда будут выпускаться обновления прошивки, для улучшения качества звука и добавления новых функций.

Когда обновление прошивки становится доступным, приложение для наушников выводит на дисплей уведомление. Нажмите на уведомление в экране приложения, чтобы начать обновление.

Примечание: наушники и мобильное устройство должны оставаться включенным и находиться в непосредственной близости во время процесса обновления прошивки. Кроме того, важно чтобы оставшегося заряда аккумулятора в наушниках хватило для завершения обновления прошивки. Приложение покажет, если заряда аккумулятора не хватает для завершения обновления ПО.

12. Сброс и перезапуск наушников

Наушники PX могут быть сброшены к их настройкам по умолчанию либо с помощью опции Factory Reset в приложении для наушников, либо путем нажатия на кнопку перезагрузки через крошечное отверстие, расположенное в правой чашке. На Diagram 1 показана где расположена эта кнопка.

Для перезапуска используйте разогнутую скрепку, чтобы нажать на кнопку и удерживать ее в течение 2 секунд. После того как наушники выключатся, нажмите кнопку Power и перезагрузка будет завершена.

Примечание: перезапуск с помощью кнопки не стирает информацию о сопряженных Bluetooth устройствах из памяти.

13. Очистка ваших наушников PX

Протирайте поверхность беспроводных наушников PX чистой влажной тканью и прикасайтесь к коже, пока она не очистится, но не трите кожу тканью. Не используйте чистящие средства или полироль для кожи, т.к. это может повредить изделие.

Примечание: чашки наушников PX имеют магнитное крепление, и поэтому их можно снять для очистки, если это необходимо. Аккуратно потяните их от корпуса и снимите.

Diagram 7 Индикация статуса свечением светодиодов

Свечение	Индикация статуса
Зеленый (медленно мигающий)	Зарядка аккумулятора
Зеленый	Наушники включены, заряд аккумулятора > 50%
Желтый	Наушники включены, заряд аккумулятора > 30%
Красный	Наушники включены, заряд аккумулятора < 30%
Красный (медленно мигающий)	Заряд аккумулятора недостаточен для работы наушников
Красный (вспыхивающий)	Наушники выключаются
Синий	Соединение через Bluetooth установлено
Синий (вспыхивающий)	Режим сопряжения по Bluetooth активен
Синий (медленно мигающий)	Идет процесс сопряжения по Bluetooth
Синий (повторяющиеся вспышки)	Сопряжение по Bluetooth не удалось
Белый	Включен фильтр Environment Filter

Diagram 8 Функции кнопок

Кнопка	Действие	Функция
On/Off/Bluetooth	Сдвиг	Включение
	Сдвиг и удержание	Выключение
	Нажать и удерживать	Запуск режима сопряжения
	Дважды нажать	Отсоединение всех Bluetooth устройств
On/Off/Bluetooth и Volume –	Нажать и удерживать обе кнопки	Стереть Bluetooth устройства в памяти
Environment Filter	Нажать	Активировать или отключить последние настройки фильтра, выбранные в приложении
Volume +	Нажать	Увеличение громкости
Volume –	Нажать	Уменьшение громкости
Play/Pause		Запуск воспроизведения или пауза
	Дважды нажать	Воспроизведение следующего трека
	Трижды нажать	Воспроизведение предыдущего трека

Примечание: Кнопки регулировки громкости и кнопки Play/Pause не будут работать при использовании аналогового аудио кабеля

Play/Pause	Нажать	Ответить на телефонный звонок или закончить разговор
	Нажать и удерживать	Отвергнуть телефонный звонок

Примечание: Телефонные функции работают только тогда, когда наушники PX соединены через Bluetooth.

Play/Pause и Volume +	Нажать обе кнопки	Включить/отключить звуковой сигнал
-----------------------	-------------------	------------------------------------

Технические характеристики

Достоинства	<p>Адаптивное шумоподавление и сквозной пропуск голосов</p> <p>Bluetooth аудио – Bluetooth 4.1 с aptX-HD</p> <p>Интеллектуальные сенсоры для запуска режимов Play/Pause/On/Off</p> <p>Подзарядка аккумулятора и аудио интерфейс через USB-C</p> <p>Литиево-ионный аккумулятор</p> <p>Мягкие кожаные ушные накладки с памятью формы</p> <p>Акустика мирового класса</p> <p>Материалы и изготовление премиум-качества</p> <p>Приложение для мобильных устройств – для персонализированного воспроизведения аудио</p> <p>Складная конструкция</p>
Bluetooth кодеки	<p>aptX-HD</p> <p>AAC</p> <p>SBC</p>
Bluetooth профили	<p>A2DP v1.3</p> <p>AVRCP v1.6</p> <p>HFP v1.6</p> <p>HSP v1.2</p> <p>GAP</p> <p>SDAP</p> <p>DIP</p>
Динамики	2 x 40 мм полнодиапазонные
Диапазон частот	10Гц – 20 кГц
Импеданс	22 Ом
Искажения (THD)	<0.5% (1 кГц /10 мВт)
Чувствительность	111 дБ/В на 1 кГц
Время работы от одной зарядки	22 часа с BT/ANC, 29 часов только с BT, 33 часа в проводном режиме с ANC, 50 часов только в проводном режиме.
Входы	Bluetooth, 3.5 мм стерео мини-джек, USB-C аудио
Прилагаемые аксессуары	Кабель 1.2 м со стерео разъемом, кабель 1.2 м USB-A на USB-C, защитная сумочка
Вес	335 г

Bowers & Wilkins ve PX Kablosuz Kulaklıklarını Kullanmaya Hoş Geldiniz.

Bowers & Wilkins'i seçtiğiniz için teşekkürler. John Bowers firmamızı ilk kez kurduğunda, firmamızı tasarımın, yenilikçi mühendisliğin ve ileri teknolojinin evde ses sistemlerinden zevk almanın kilidini açacak anahtarlar olduğunu düşünerek kurdu. Onun bu inancını biz hala paylaşıyoruz ve bu bakış açısı tasarladığımız her ürüne ilham kaynağı olmayı sürdürüyor.

PX kulaklıklar, kablosuz çalışma kolaylığı ve gürültü giderme özelliği ile birlikte en yüksek kalitede kişisel dinleme deneyimini sağlayan yüksek performanslı kulak üstü ünitelerdir. Bu kullanma kılavuzunda, PX kulaklıklarınızdan en iyi yararlanmanız için bilmeniz gereken her şeyi anlatılmaktadır.

PX kulaklıklar, cep telefonunuzdan, tabletinizden veya bilgisayarınızdan kablosuz olarak akan müzik parçalarını Bluetooth kullanarak dinleyebilirsiniz veya Bluetooth kullanmak yerine kulaklığınızı bir jak kablosuyla uygun bir kulaklık çıkışına bağlayabilirsiniz. PX kulaklıklar ayrıca bir bilgisayardan bir USB bağlantısı yoluyla işitsel içerik çalabilir ve kablosuz telefon olarak da kullanılabilir.

PX kulaklığın Gerçek Dünya Dinleme özellikleri arasında Çevre Filtresi ve Ses Geçişi'de vardır. Çevre Filtresi gürültü engelleme özelliği isteğe bağlıdır ve kulaklığın üzerinde bulunan bir düğme aracılığıyla basitçe etkinleştirilebilir veya devre dışı bırakılabilir. Ses Geçiş özelliği, konuşma veya güvenlik duyuruları gibi harici seslerin kulaklıkları çıkarmaya ihtiyaç duymadan rahatça dinlenebilmesini sağlar. Çevre Filtresi ve Ses Geçiş Özelliği, mevcut Kulaklık iOS ve Android uygulaması kullanılarak da etkinleştirilebilir. Bu uygulama aynı zamanda belirli kulaklık özelliklerinin ayarlanmasına da olanak sağlar.

PX kulaklıklar, tekrar şarj edilebilir bir pil takımı içerir. Tam olarak şarj edildiğinde ve Bluetooth, Çevre Filtresi ve Ses Geçirme Özelliğinin kullanım derecesine bağlı olarak, pil takımı ortalama ses seviyelerinde 22 saat kadar uzun süre kulaklığın kullanımına olanak sağlayabilir.

1. PX Kutusunun İçindekiler

- PX Kablosuz Kulaklıklar
- USB Şarj Kablosu
- Jak kablosu
- Kulaklık Saklama Kabi
- Belgelerin Bulunduğu Torba

Çevre ile ilgili bilgiler

Bu ürün, elektrikli ve elektronik cihazlardaki Tehlikeli Maddelerin Kısıtlanması (RoHS), Kimyasalların Kaydedilmesi, Değerlendirilmesi, Yetkilendirilmesi ve Sınırlanması (REACH) ve Atık Elektrikli ve Elektronik Ekipmanların (WEEE) imhası dahil ancak bunlarla sınırlı olmayan uluslararası direktiflere uygundur. Bu ürünün geri dönüştürülmesi veya bertaraf edilmesinin düzgün bir şekilde yapılması için yerel çöp imha kurumunuza danışın.

2. PX Kulaklıkları Tanımaya Başlamak

Sağ kulak parçasındaki kayan güç düğmesi kullanılarak açıldıktan sonra, PX kulaklıklar, sağ kulak parçasında bulunan Çal/Duraklat ve Ses Seviyesi düğmeleri aracılığıyla kullanılabilir. Bağlanan bir Bluetooth veya USB aygıtı aracılığıyla, kulaklık ses seviyesini ve kulaklıkta sesli materyal çalınması da kontrol edilebilir.

Bluetooth düğmesinin yanındaki gösterge, bağlantı durumunu ve pil şarj seviyesini gösterir. Kulaklıklar ayrıca bazı kontrol komutları ve etkinlikleri için sesli yönlendirmeler de verir.

Not: Gösterge aydınlatması Çizelge 7'de listelenmiştir.

Not: Sesli yönlendirmeler Başlat/Durdur ve Ses+ düğmelerine birlikte basılarak devreye sokulabilir veya devreden çıkartılabilir.

Sağ kulaklığın alt kısmında bir USB soketi ve bir jak kablosu yuvası bulunur. Sağ kulaklık parçası ayrıca kulak altlığının altında bir iğne deliği içinde bulunan yeniden başlatma düğmesini içerir.

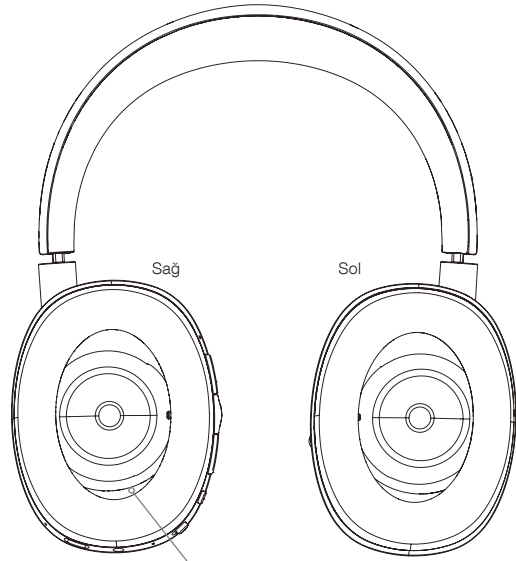
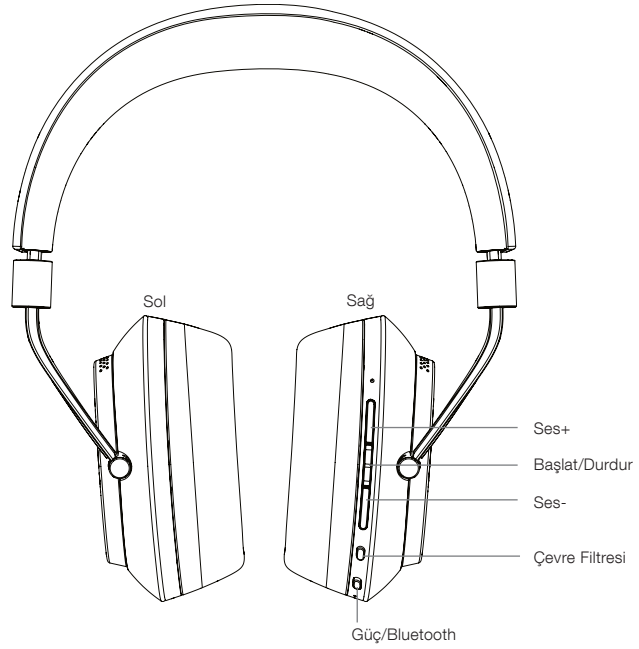
Not: Jak kablosu ve USB kablolarının bağlanması Bölüm 10'da açıklanmıştır.

PX kulaklıklar, kulak parçalarında yakınlık sensörleri içerir; bu sensörler kulaklığın kafadan çıkarılmasından iki dakika sonra bekleme moduna girmelerini ve bağlı herhangi bir Bluetooth cihazı ile bağlantılarını kesmelerini sağlar. Kafaya takıldıklarında, otomatik olarak bekleme modundan çıkarlar ve en son bağlandıkları Bluetooth cihazına bağlanırlar.

Güç düğmesinin yanındaki bir düğmeye, Çevre Filtresi gürültü yönetim sistemini etkinleştirir veya devre dışı bırakır. Etkinleştirildiğinde, Çevre Filtresi üç kulaklık girişinde de çalışır: Bluetooth, USB ve jak girişi.

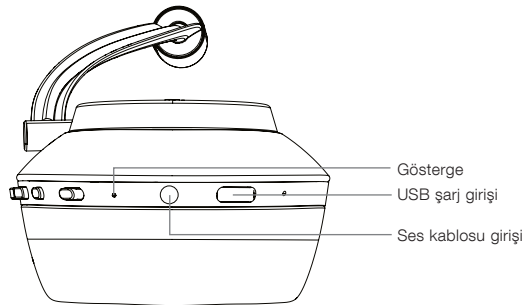
Not: Düğmelerin işlevleri Çizelge 8'de listelenmiştir.

Bowers & Wilkins Kulaklık uygulaması, Ortam Filtresi ve Ses Geçişi, ayarlama ve mod seçimi gibi genişletilmiş kurulum ve kontrol işlevleri sunar. Kulak-nokta yakınlık sensörü duyarlılığı da uygulama kullanılarak ayarlanabilir. Uygulama, iOS ve Android cihazlar için ücretsiz olarak internetten indirilebilir.



Çizelge 1
Ana özellikler

İğne deliği şeklinde yeniden başlatma düğmesi



Çizelge 2
Alttan görün

3. Pilin Şarj Edilmesi

PX kulaklıkların pilleri şarjlı halde gönderilir ve PX Kulaklık hemen kullanılabilir, ancak kulaklığı. Kullanmaya başlamadan önce pili tamamen şarj etmek cihaz için daha iyidir. PX kulaklıkların tam şarj olması 3 saat kadar sürebilir. Bununla birlikte, pil şarj olurken kulaklıkların kullanılması mümkündür.

Not: Gösterge, PX kulaklık açıldığında ilk olarak pil şarj miktarını gösterir. Yeşil renk pilin% 50'un üzerinde şarj edildiğini ifade eder Sarı renk pilin% 50 ile %30 arasında şarj edildiğini ifade eder. Kırmızı renk pilin% 30'dan az şarj edildiğini ifade eder Gösterge kırmızı olarak yanıp sönyorsa, kulaklıkların çalışması için pil şarjı yetersizdir. Gösterge aydınlatması Çizelge 7'de tamamen açıklanmıştır.

Pilin Şarj Edilmesi aşağıdaki paragraflarda açıklanmaktadır:

- Ürünle birlikte verilen USB şarj kablosunu kullanarak, kulaklıkların bir USB soketine takın; bir bilgisayar USB soketi, şebeke USB şarj cihazı veya araç içi şarj cihazı.
- Şarj olurken, kulaklık göstergesi yeşil renkte yanıp sönecektir. Şarj seviyesi arttıkça yanıp sönmeye süresi de uzar. Tam olarak şarj olduğunda gösterge yeşil renkte yanmaya devam edecektir.

4. Kulaklıkların Takılması

Kulaklıklarınızı doğru bir şekilde kullanmak, kulaklıklarınızın tam potansiyelleriyle kullanmanıza olanak sağlar. Önce, sol ve sağ kulak parçalarını belirleyin. Yön belirleme lejantları, Diyagram 3'te gösterildiği gibi baş bandının alt kısmında bulunur.

Kulaklıkları kafanıza, kafa bandını, her bir kulak parçasının Diyagram 4'te gösterildiği gibi kulağın üzerinde rahatça oturacağı şekilde ayarlayın. Kulak parçalarının yukarı doğru çekilmediğinden ve başınızın üzerinde gereksiz yere baskı oluşturmadığından emin olun.

Kulaklıklarınızı kullanmadığınız zamanlarda kendi saklama kaplarına geri koymanızı öneririz.

Not: Kulaklarınızın profili eğgen gözlükler takmak, kulaklığın Çevre Filtresi performansını etkileyebilir. Benzer biçimde, kulaklarınızın üstünde kalan saçlar kulaklığın yakınlık sensörünün performansını etkileyebilir.

5. Kulaklıkları Açıp Kapamak

PX kulaklıklarınızı açmak için güç düğmesini Diyagram 5'de gösterildiği gibi yana doğru kaydırın.

PX kulaklıklar, akıllıca bekleme moduna geçmek ve kullanılmadığında Bluetooth bağlantısını kesmek ve giyildiklerinde tekrar uyanmak üzere tasarlanmıştır; bu nedenle genellikle kulaklıkları kapatmak gerekli değildir. Ancak kulaklığı kapatmak istiyorsanız, güç düğmesini kaydırın ve bir iki saniye basılı tutun. Cihazın kapatıldığını göstermek için gösterge kırmızı renkte yanıp sönecektir.

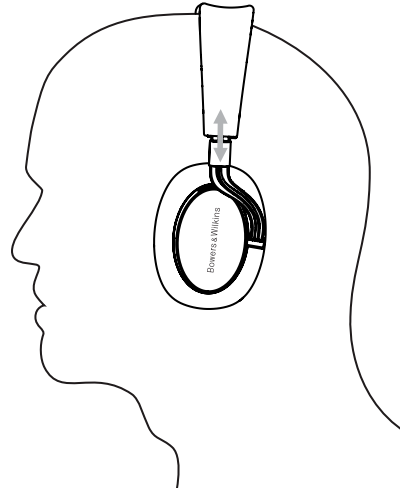
Kulaklıklar, kapanıp açıldıklarında sesli bir talimat vereceklerdir.

Not: PX kulaklıkları açık durumda bırakılmış ancak iki dakikadan daha uzun süre etkin değilse, pil gücünden tasarruf etmek için otomatik olarak bekleme moduna geçer.

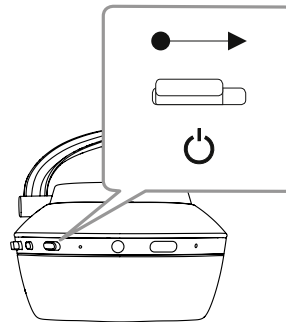
Not: Kontrol anahtarı ve bekleme modunda kulaklık yakınlık sensörlerinin duyarlılığı, kulaklık uygulamasından ayarlanabilir.



Çizelge 3
Sağ ve Sol parçaların belirlenmesi



Çizelge 4
Kulaklığın ayarlanması



Çizelge 5
Kulaklıkların Açılması

6. Bluetooth Eşleştirme

PX kulaklıklarınızı, cep telefonunuz gibi bir Bluetooth özellikli sesli bir cihaza bağlamak için önce kulaklıklarınız cihazla 'eşleştirilmelidir'. Eşleştirildikten sonra, Bluetooth cihazı ve kulaklıklar birbirlerini "hatırlar", birbirlerine bağlanabilecek kadar yakın olduklarında yeniden eşleştirme yapmadan bağlanabilirler.

PX kulaklıklarınızı ilk açtığınızda Bluetooth eşleştirme modunda çalışmaya başlarlar. Bir cihazı eşleştirmek için aşağıdaki adımları uygulayın:

- Kulaklıkların açık ve Eşleştirme Modunda olduğundan emin olun. Bu modda Gösterge mavi renkte yanıp sönecektir.
- Eşleştirilecek cihazın Bluetooth ayarlarını açın ve cihazın Bluetooth'unun açık olduğundan emin olun. 'PX Bowers & Wilkins' bağlanabilir bir cihaz olarak görünür. 'PX Bowers & Wilkins'i seçin ve Bluetooth ayarlarını kapatın.
- Eşleştirme devam ederken kulaklık göstergesi mavi renkte yanıp söner ve eşleştirme tamamlandığında gösterge sürekli mavi olur. Eşleştirme tamamlandığında kulaklıklar sesli bir bildirim de verecektir.
- Eşleştirme kurulduktan sonra, kulaklıkların ses uygulamalarında oynatma aygıtı olarak seçildiğinden emin olun.

Daha sonraki eşleşmeler için, kulaklıklarınız manuel olarak eşleştirme moduna geçirilmelidir: B işlem, Çizelge 6'da gösterilmektedir.

- Kulaklıklar açıkken, birleştirilmiş Bluetooth/güç düğmesini iki saniye boyunca içeri doğru itin ve basılı tutun. Gösterge mavi renkte yanıp söner ve kulaklıklar Eşleştirme Moduna girdiğinde kulaklık sesli bir bildirim verir.
- Bir kez daha, kulaklıklarla eşleştirmek istediğiniz cihazın Bluetooth kurulum ekranına gidin ve listeden 'PX Bowers & Wilkins'i arayın. Üzerine dokunun ve iki cihaz eşleşir.

Not: Beş dakika içinde eşleşilen bir cihaz bulunmazsa, kulaklıklar Bluetooth eşleştirme modundan otomatik olarak çıkar.

Not: Eşleştirme bazen başarısız olabilir, bu durumda kulaklık göstergesi iki saniyede bir mavi renkte yanıp söner. Bu durumda eşleştirmek istediğiniz iki cihazı birbirine yaklaştırıp tekrar deneyin.

6.1 Bluetooth Eşleştirme Notları

- PX kulaklıklar, eşleşen sekiz Bluetooth cihazını hatırlayabilir. İki cihazın eşzamanlı olarak bağlanması mümkündür; örneğin, bir cihazdan müzik çalınırken, diğer cihaz aracılığıyla telefon görüşmeleri yapılabilir.
- Kulaklıklarınız belirli bir süre kapatıldıktan veya bekleme modunda kaldıktan sonra, bağlı oldukları son cihaza, açığa ve menzil dahilinde bağlanacaklardır. Diğer eşleştirilen cihazlar otomatik olarak bağlanmaz, ancak bunlara bağlanmak için bunların Bluetooth ayarları aracılığıyla bağlantı için seçilmesi gerekir.
- Bağlantı kesildiğinde, kulaklığın Bluetooth düğmesine basılırsa, kulaklık mümkünse son bağlanan cihaza bağlanacaktır.

- Bir Bluetooth kaynak cihazını PX kulaklığınızdan çıkarmak için arka arkaya Bluetooth düğmesine iki kez basın. Bu, Bluetooth ile bağlı tüm aygıtların bağlantısını keser. Bluetooth bağlantısı kesildiğinde kulaklıklar duyulabilir bir bildirim verirler.

- Kulaklığın bağlı olduğu cihazlar hafızadan Bluetooth ve Ses tuşlarına birlikte 2 saniye boyunca basılıncaya silinir. Bu durumda Gösterge yanıp sönecek ve kulaklıklarınız yeniden çalışmaya başlayacaktır.

7. Bluetooth ile Sesleri Kontrol Etmek

PX kulaklık Çal/Duraklat, Ses + ve Ses - düğmeleri ses kontrolü için kullanılabilir:

- Ses seviyesini artırmak için Ses + düğmesine basın.
- Ses seviyesini azaltmak için Ses - düğmesine basın.
- Dinlenen parçayı oynatmak veya duraklatmak için Oynat/Duraklat düğmesine basın ve bırakın.
- Sonraki parçayı seçmek için Çal/Duraklat düğmesine arka arkaya iki kez basın.
- Önceki parçayı seçmek için Çal/Duraklat düğmesine ardarda üç kez basın.

8. Gerçek Dünyayı Dinleme

PX kulaklık Çevre Filtresi gürültü giderme özelliği sağ kulaklığın kenarındaki Çevre Filtresi düğmesine basılarak açılır. Ortam Filtresi varsayılan özel olarak çalıştırılmadığı durumlarda kapalıdır. Farklı ortamlar için ayarlanmış gürültü giderme özellikleri sağlayan üç alternatif Çevre Filtresi profili mevcuttur. Bunlar Bowers & Wilkins Kulaklık uygulamasından seçilir. Sağ kulak parçası Çevre Filtresi açma/kapama düğmesi en son kullanılan gürültü önleme profilini seçecektir.

PX kulaklık Ses Geçirme işlevi, kulaklıkları çıkarmaya gerek kalmadan konuşma veya güvenlik duyuruları gibi dış seslerin duyulmasını sağlar. Ses geçirme işlevi Bowers & Wilkins Kulaklık uygulamasından seçilir.

Not: Çevre Filtresi ve Ses Geçirme işlevleri kulaklıkların bir ses sinyali çalmasını gerektirmez. Kulaklıkta ses geçirme işlevi çalışırken duyulan dış sinyalin seviyesi dış sinyalin tipi ve yüksekliğine bağlı olacaktır.

Not: Kulaklarınızın profili eğen gözlükler takmak, kulaklığın Çevre Filtresi performansını etkileyebilir. Benzer biçimde, kulaklarınızın üstünde kalan saçlar kulaklığın yakınlık sensörünün performansını etkileyebilir.

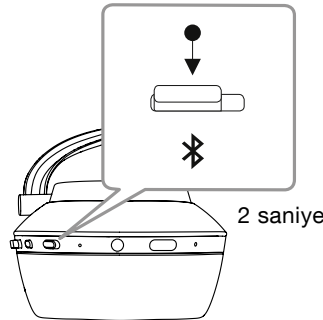
9. Cep Telefonu Kullanımı

PX kulaklıkları, kulaklıkların Bluetooth ile bağlı olduğu bir telefon ile telefon görüşmesi yapmak için kullanılabilir:

- Bir aramayı kabul etmek için Oynat/Duraklat düğmesine basın ve bırakın.
- Bir aramayı red etmek için Oynat/Duraklat düğmesine iki saniye basın.
- Bir aramayı sonlandırmak için Oynat/Duraklat düğmesine basın ve bırakın.

Bir telefon görüşmesi yapılırken Bluetooth ile bir parçanın dinlenmesi duraklatılacaktır. Arama sona erdiğinde parça kaldığı yerden devam edecektir.

Not: Telefon işlevleri yalnızca kulaklıklar telefona Bluetooth ile bağlı olduğunda çalışır.



Çizelge 6

El ile Bluetooth eşleştirme moduna geçmek

10. Kablolu Bağlantı

Kablosuz olarak çalışmanın yanı sıra, PX kulaklıklar, birlikte verilen jak kablosu ve USB kablolarını kullanarak da ses kaynaklarına bağlanabilir.

Kulaklıklardaki jak kablosu girişleri, kulaklıklar uçak veya geleneksel bir hi-fi sistemi gibi Bluetooth olmayan ses kaynağı ile kullanıldığı zamanlarda yararlı olurlar.

Not: Bir jak kablosu kullanarak parça dinlemek için PX kulaklıklarınızın şarj edilmesi ve açılması gerekir.

USB bağlantısı, PX kulaklıklarınızın uygun bir bilgisayara bağlandığında bir USB ses çıkışı cihazı olarak işlev görmesini sağlar.

Not: USB ve jak kabloları aynı anda bağlanabilir, böylece kulaklık girişi kullanılırken USB bağlantısı pili şarj etmeye devam edebilir.

Bir jak kablosunun bağlanması ve PX kulaklığın jak kablosu ile bağlı haldeki durumu aşağıdaki paragraflarda açıklanmaktadır:

- Jak kablosunun bir ucunu alın ve Jak kablosunun ucunu sağ kulaklığın alt kısmındaki sokete takın. Fişin tam olarak yerleştiğinden emin olun. Kablounun diğer ucunu bir ses çalma aygıtının kulaklık soketine takın.
- Jak kablosu bağlantısı durumunda, Kulaklık ses düzeyi kontrolleri ve Oynat/ Duraklat düğmesi çalışmayacaktır.
- Bir jak kablosunun bağlanması PX kulaklıkta Bluetooth aracılığı ile çalınan parçayı otomatik olarak durduracaktır. Bluetooth ile çalınan parçaya geri dönmek için, jak kablosunun kulaklıktan çıkarılması gerekir.

Bir USB kablosunun bağlanması ve PX kulaklığın USB kablosu ile bağlı haldeki durumu aşağıdaki paragraflarda açıklanmaktadır:

- Kulaklığa bağlanan bütün Bluetooth cihazlarının bağlantısını, sağdaki kulak parçasındaki Bluetooth düğmesine art arda iki kez basarak kesin.

Not: USB ile parçaların çalınması için Bluetooth bağlantısı kesilmelidir.

- Küçük USB fişini sağ kulaklık kulağının altındaki sokete takın. Büyük USB ucunu bilgisayarın USB soketine takın. Bilgisayarın USB yuvasına güç verilirse, kulaklığın pili hemen şarj olmaya başlayacaktır.
- Bilgisayarın ses çıkış kontrol panelinde oynatma aygıtı olarak PX kulaklıkları seçin. Bilgisayar sesli içerik çalma uygulamalarında seçilen parçalar şimdi PX kulaklıklar aracılığıyla çalınacaktır.
- USB aracılığıyla içerik çalarken kulaklık ses seviyesi ve Oynat/Duraklat kontrolleri normal şekilde çalışacaktır.
- Kulaklık Bluetooth işlevlerini geri yüklemek için Bluetooth düğmesine basın. Kulaklığınız en son bağlanan cihaza bağlanacaktır.

11. Kulaklık Yazılım Güncellemesi

Performans optimize edildiğinde ve yeni özellikler eklendiğinde, kulaklıklarınız yazılım güncellemelerine tabi olacaktır.

Bir yazılım güncellemesi geldiğinde PX kulaklık uygulaması bir bildirim gösterir. Güncelleme işlemine başlamak için uygulamadaki bildirim dokununuz.

Not: Yazılım güncelleme işlemi sırasında kulaklık ve mobil cihaz açık ve yakın olmalıdır. Kulaklıklarda kalan pil şarjının, ürün yazılım güncellemesinin tamamlanması için yeterli olması da önemlidir. Cihaz eğer yazılım güncellenmesinin tamamlanması için yeterli şarj yoksa, sesli bir bildirim verecektir.

12. Kulaklığın Sıfırlanması ve Yeniden Başlatılması

PX kulaklıklar kulaklık yazılımındaki fabrika ayarları seçeneğiyle veya sağ kulaklığın içindeki iğne deliği şeklindeki yeniden başlatma düğmesine basılarak fabrika ayarlarına geri döndürülebilir. İğne deliği şeklindeki yeniden başlatma düğmesi Çizelge 1'de gösterilmiştir.

Yeniden başlatma düğmesini kullanmak için düzleştirilmiş bir kağıt ataşını iki saniyelik bir süre sokup basılı tutun. Kulaklıklar, yeniden başlatma işlemi sırasında kapanacaktır. Yeniden başlatma işlemini tamamlamak için kulaklıkları açın.

Not: İğne deliği şeklinde yeniden başlatma düğmesine basılması, Bluetooth ile eşleştirilmiş cihaz hafızasını silmez.

13. PX Kulaklıkların Temizlenmesi

PX kulaklıklar nemli bir bez kullanarak temizleninceye kadar silinebilir. Deri üzerindeki kumaş parçayı silmeyin. Kulaklığınıza zarar verebileceği için temizlik sırasında temizleme deterjanları veya deri parlaklığı kullanmayın.

Not: PX kulaklık deri kulaklık parçaları cihaza manyetik olarak bağlanmıştır ve gerekirse, kulaklığın gövdesinden hafifçe çekerek temizlemek için çıkarılabilir.

Çizelge 7 Gösterge Aydınlatmasına basın

Aydınlatma	Göstergesi
Yeşil (yavaş yanıp sönme)	Pil şarj oluyor
Yeşil	Kulaklık Çalışıyor, Pil şarjı > 50%
Sarı	Kulaklık Çalışıyor, Pil şarjı > 30%
Kırmızı	Kulaklık Çalışıyor, Pil şarjı < 30%
Kırmızı (yavaş yanıp sönme)	Kulaklığın çalışması için yeterli şarj yok
Kırmızı (yanıyor)	Kulaklık kapanıyor
Mavi	Bluetooth bağlantısı kuruldu
Mavi (yanıyor)	Bluetooth eşleştirme modu aktif
Mavi (yavaş yanıp sönme)	Bluetooth eşleştirmesi yapıyor
Mavi (tekrar tekrar yanma)	Bluetooth eşleştirmesi başarısız oldu
Beyaz	Çevre Filtresi aktif

Çizelge 8 Düğmelerin İşlevleri

Düğme	Eylem	İşlev
Aç/Kapa/Bluetooth	Kaydır	Cihaz açılır
	Kaydır ve bas	Cihaz kapanır
	Bas ve basılı tut	Eşleştirme moduna girer
	Bas	En son bağlı olduğu Bluetooth cihazına bağlanır
Aç/Kapa/Bluetooth ve Ses-'ye	2 kere bas	Tüm Bluetooth cihazları ile bağlantıyı keser
	Birlikte bas ve tut	Bluetooth hafızasını sil
Çevre Filtresi	Bas	Uygulamada seçilen en son Çevre Filtresini aktifleştirir veya kapatır
Ses+	Bas	Sesi artırır
Ses-	Bas	Sesi azaltır
Oynat/Durdur	Bas	Sesli içeriği oynatır veya durdurur
	2 kere bas	Bir sonraki parçayı çalmak
	3 kere bas	Bir önceki parçayı çalmak
<i>Not: Jak kablosu bağlantısı durumunda, Kulaklık ses düzeyi kontrolleri ve Oynat/ Duraklat düğmesi çalışmayacaktır.</i>		
Oynat/Duraklat	Bas	Telefon çağrısını kabul et veya red et
	V bas ve tut	Telefon çağrısını red et
<i>Not: Telefon işlevleri yalnızca kulaklıklar telefona Bluetooth ile bağlandığında çalışır.</i>		
Oynat/Durdur ve Ses+	Her ikisine de bas	Sesli talimatlar açılır ve kapanır

Özellikler

Teknik Özellikler:	Uyarlanabilir gürültü iptali ve ses geçişi Bluetooth ses – Bluetooth 4.1, aptX-HD Akıllı algılama ile Oynat/Duraklat/Aç/Kapa USB-C şarj ve ses arabirimi Şarj edilebilir lityum pil Yumuşak deri hafızalı köpük kulaklık içleri Dünya standartlarında akustik Üstün malzemeler ve yapı kalitesi Kişiselleştirilmiş müzik çalma için mobil eşlik uygulaması Katlanmış düz tasarım
Bluetooth Kodekleri:	aptx-HD AAC SBC
Bluetooth Profilleri:	A2DP v1.3 AVRCP v1.6 HFP v1.6 HSP v1.2 GAP SDAP DIP
Sürücü Üniteleri:	2 x 40mm geniş aralık
Frekans aralığı:	10Hz ila 20kHz
Giriş Empedansı:	22 Ohm
Distorsiyon (THD):	<% 0,3 (1kHz / 10mW)
Hassaslık:	111dB/V @ 1kHz
Pil Ömrü:	22 saat BT/ANC, 29 saat sadece BT, ANC ile bağlandığı kablolu bağlantı ile 33 saat, sadece kablolu bağlantı ile 50 saat
Girdiler:	Bluetooth, 3.5mm stereo jses kablosu, USB-C audio
Kutuda bulunan aksesuarlar:	1.2m stereo jak kablosu, 1.2m USB-A ve USB-C uçlu kablo. Koruyucu kılıf
Ağırlık:	335 gram

Bowers & Wilkins製 PX Wirelessヘッドフォンのご紹介

当社製品をお買いあげいただきありがとうございます。John BowersはB&Wを設立した当初、創意に富んだデザインと革新的な工業技術、そして先進技術が、家庭でオーディオを十分に楽しむ鍵であると信じていました。現在でも彼の信念はB&Wで共有されており、この信念はB&Wが設計するすべての製品に命を吹き込んでいます。

PXヘッドフォンは、操作の利便性とノイズキャンセリングの静けさと共に最上質のパーソナルオーディオ体験とをお楽しみいただける高性能オンイヤヘッドフォンです。このマニュアルでは、PXヘッドフォンを最大限に楽しむために必要なすべての知識をご紹介します。

PXヘッドフォンは、お使いの携帯電話やスマートフォン、タブレット、コンピュータからBluetoothを使用してワイヤレスで音楽をストリーミング再生したり、従来までのように対応するヘッドフォン出力端子にケーブルを接続したりして使用できます。また、PXヘッドフォンをコンピュータにUSBで接続して音楽を再生することも可能です。さらに、テレフォニー機能をワイヤレスで使うこともできます。

PXヘッドフォンのリアルワールドリスニング機能には、環境フィルターやボイスパススルーなどがあります。環境フィルターはオプションのノイズキャンセリング機能で、ヘッドフォンにあるボタンを使って簡単に有効と無効を切り替えることができます。ボイスパススルーは、ヘッドフォンを取り外す必要なしで、会話や安全アナウンスなどの外部音を明瞭に聞こえるようにする機能です。環境フィルターとボイスパススルーは、iOSおよびAndroid用に提供されているヘッドフォンアプリから有効化できます。また、アプリではヘッドフォンの特性を調整することも可能です。

PXヘッドフォンには充電式バッテリーパックが組み込まれています。バッテリーパックをフル充電した場合、Bluetooth、環境フィルター、ボイスパススルーの使用程度に応じて、平均的な音量で最大22時間使用可能です。

1. PX Wirelessヘッドフォン同梱品一覧

- i. PX Wirelessヘッドフォン
- ii. USB チャージングケーブル
- iii. 音声ジャックケーブル
- iv. 保管用ポーチ
- v. 資料一式

環境関連情報

本製品は、国際指令に準拠しています。準拠している指令には、電子・電気機器に含まれる特定有害物質の使用制限に関する欧州議会および理事会指令 (RoHS)、化学物質の登録・評価・認可及び制限に関する規則 (REACH)、電気・電子機器廃棄物 (WEEE) の処分に関する指令が含まれますが、これらに限定されるものではありません。本製品の適切なリサイクルまたは処分方法の指針については現地の廃棄物処理当局に問い合わせてください。

2. PXヘッドフォンを詳しく知る

右耳側イヤースピーカーにある電源スライドスイッチで電源を入れたら、同じく右耳側に配置された再生/一時停止および音量ボタンを使ってPXヘッドフォンを操作できます。接続されたBluetooth機器やUSB機器からも、ヘッドフォンの音量と音声再生をコントロールできます。

Bluetoothボタンの並びにあるインジケータには、接続状態と充電残量が表示されます。ヘッドフォンからは、一部のコントロールコマンドやイベントを知らせる操作音も出力されます。

ご注意: インジケータの点灯については、図7に説明が記載されています。

ご注意: 操作音は、再生/一時停止ボタンと音量+ボタンを同時に押すことで、オンとオフを切り替えられます。

USBソケットと音声ジャックソケットは右耳側イヤースピーカーの下面にあります。また、右耳側にはイヤークッションの下にピンホール型再起動ボタンも配置されています。

ご注意: 音声ジャックとUSBケーブルの接続については、第10項で説明されています。

PXヘッドフォンのイヤースピーカーには近接センサーが内蔵されているため、ヘッドフォンを頭から外すと2分後にスタンバイモードに入り、接続されていたBluetooth機器との接続が解除されます。ヘッドフォンが頭に装着されると、自動的にスタンバイモードから復帰し、最後に接続されていたBluetooth機器に接続します。

電源ボタンの並びにあるボタンを押すと、環境フィルターノイズ管理を有効化および無効化します。有効時は、3種類のヘッドフォン入力 (Bluetooth、USB、音声ジャック) すべてで環境フィルターが機能します。

ご注意: ボタン機能の説明は図8に記載されています。

Bowers & Wilkinsのヘッドフォンアプリでは、環境フィルターやボイスパススルー、調整やモード選択などの拡張セットアップとコントロール機能を使用できます。イヤースピーカーの近接センサー感度もアプリ内で調整できます。アプリはiOSおよびAndroid機器用に無料でダウンロードすることができます。

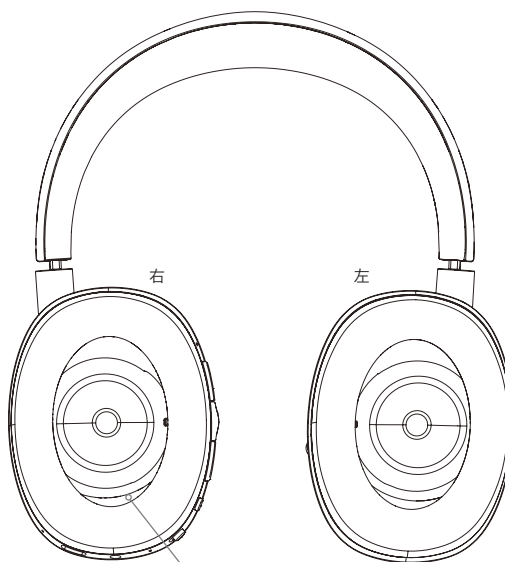
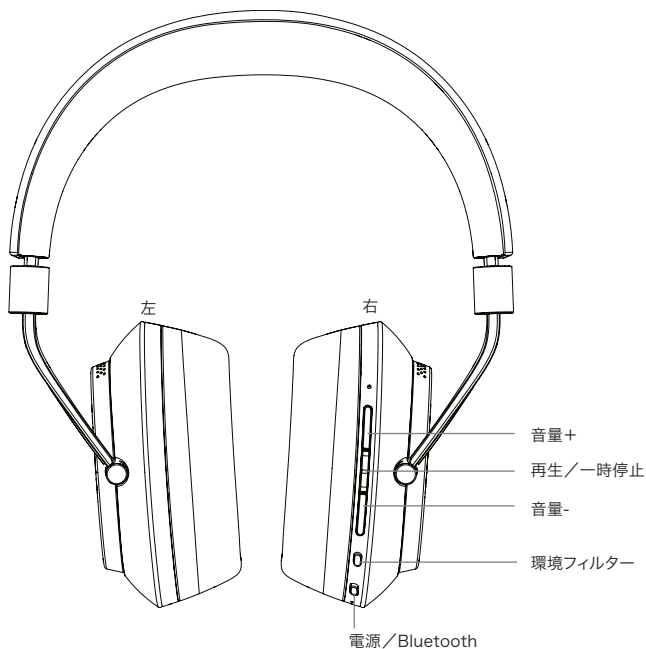


図1
主な機能
ピンホール型再起動ボタン

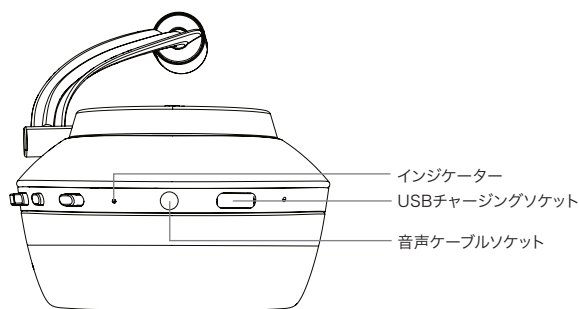


図2
下面

3. バッテリーを充電する

PXヘッドフォンはバッテリー電力がある状態で出荷されますのですぐにお使いいただけますが、初めて使用する前にバッテリーをフル充電することをお勧めします。PXヘッドフォンのフル充電には約3時間かかりますが、バッテリー充電中でもP5 Wirelessの使用は可能です。

ご注意: PXヘッドフォンは電源を初めて入れると、インジケータが充電残量を表示します。緑は、バッテリーの充電残量が50%を超えているということを示しています。同じく、黄色はバッテリーの充電残量が50%から30%であること、赤は、バッテリーの充電残量が30%を切ったことを示しています。インジケータが赤く点滅している場合、充電残量が少なすぎてPXヘッドフォンの操作はできません。インジケータの点灯の詳細については図7をご参照ください。

以下に記載の手順に従って充電してください。

- 同梱のUSBチャージングケーブルで、通電しているUSBソケット(コンピューターのUSBソケット、電源プラグのUSB充電器、車載充電器のいずれか)とヘッドフォンを接続します。
- 充電中、ヘッドフォンのインジケータは緑に点滅します。充電のレベルが高くなってくると、点滅中の点灯している時間が長くなってきます。フル充電になると、インジケータは点灯したままになります。

4. ヘッドフォンを装着する

ヘッドフォンを適切に使用することで、最大限の音質が得られます。最初に、イヤーピースの左右を確認してください。左右を見分けるための記号は、図3に示すとおり、ヘッドバンドの内側下部に記載されています。

図4に示すとおり、それぞれのイヤーピースが耳にしっかりと収まるようにヘッドバンドを調整して、ヘッドフォンを頭に装着します。イヤーピースが上方向に引っ張られず、頭に余分な圧力がかからないことを確認してください。

ヘッドフォンを使用しない時は、保管用ポーチに戻しておくことをお勧めします。

ご注意: 眼鏡を装着することで耳の外形が変わる場合、ヘッドフォンの環境フィルター性能を妨げる可能性があります。同様に、耳とヘッドフォンのイヤーピースの間に髪の毛が挟まっている場合も、近接センサーの精度が下がることがあります。

5. 電源オンとオフを切り替える

PXヘッドフォンの電源を入れるには、図5に示すように、電源ボタンを横方向にスライドします。

PXヘッドフォンは、未使用時にスタンバイへの切り替えをインテリジェントに行ってBluetooth接続を解除し、装着時には自動的に起動するように設計されています。そのため、通常は電源を切る必要はありません。ただし電源を切りたい場合は、電源ボタンをスライドして1、2秒そのままにします。インジケータが赤色に点滅すると、電源が切れたことを示します。

電源のオンとオフが切り替わるときに、ヘッドフォンから操作音が出されます。

ご注意: PXヘッドフォンは、電源を入れてから2分以上動かないと自動的に電源を切ってバッテリーの節電をします。

ご注意: 電源オンとスタンバイを制御するイヤーピースの近接センサー感度は、ヘッドフォンアプリ内で調整することができます。

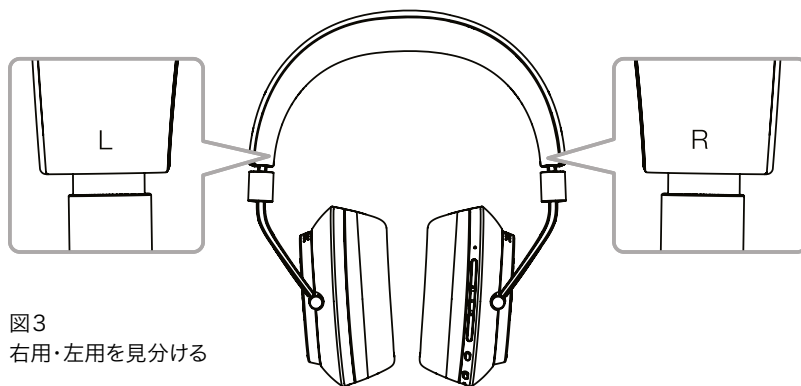


図3
右用・左用を見分ける



図4
イヤーピースを調整する

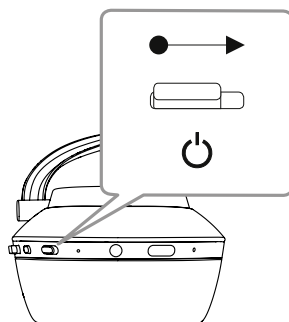


図5
電源を入れる

6. Bluetooth対応機器とペアリングする

PXヘッドフォンを携帯やスマートフォンなどBluetooth対応オーディオ機器に接続するには、まず対象機器と「ペアリング」をしなければなりません。ペアリングが行われるとBluetoothの音源機器とPXヘッドフォンはお互いを「覚えて」、対象範囲内にいる時に接続が可能です。

初めてPXヘッドフォンの電源を入れると、Bluetoothペアリングモードが開始されます。機器をペアリングするには、以下のステップに従って操作してください。

- ヘッドフォンの電源が入り、ペアリングモードになっていることを確認します。インジケータが青色で点滅します。
- ペアリングする機器のBluetooth設定を開き、Bluetoothがオンになっていることを確認します。「PX Bowers & Wilkins」が接続可能な機器として表示されます。「PX Bowers & Wilkins」を選択してBluetooth設定を閉じます。
- ペアリングの実行中はヘッドフォンのインジケータが青色に点滅します。ペアリングが完了すると青色の点灯に変わります。ペアリング完了時は、ヘッドフォンから操作音が出力されます。
- ペアリングが完了したら、オーディオアプリでヘッドフォンが再生デバイスとして選択されていることを確認します。

後でペアリングを行う場合は、図6で示すように、ヘッドフォンを手動でペアリングモードに切り替える必要があります。

- ヘッドフォンの電源が入っている状態で、Bluetooth/電源の併用ボタンを2秒間内側にまっすぐ押したままにします。インジケータが青色に点滅し、ヘッドフォンからペアリングモードに入ること知らせる操作音が出力されます。
- もう一度、ヘッドフォンとペアリングしたい機器のBluetooth設定画面を開き、リストで「PX Bowers & Wilkins」を探します。タップすると2台の機器がペアリングされます。

ご注意:5分以内に機器とのペアリングが行われない場合、ヘッドフォンは自動的にBluetoothペアリングモードを解除します。

ご注意:ペアリングは失敗することがあります。この場合、ヘッドフォンのインジケータが青色で2秒間高速点滅します。2台の機器を近づけて再度ペアリングを試してください。

6.1 Bluetoothペアリングのご注意

- PXヘッドフォンはペアリングしたBluetooth機器を最大8台まで記憶できます。2台の機器を同時に接続することが可能です。例えば、1台の機器から音楽を再生しながら、別の機器にかかってきた電話を受け取ることができます。
- 電源が切れた状態またはスタンバイモードからヘッドフォンを起動すると、最後に接続されていた機器の電源が入っていて接続範囲内にある場合は、その機器と接続します。その他のペアリングされた機器とは自動的に接続しないため、機器のBluetooth設定から接続を選択する必要があります。
- 接続されていない場合、ヘッドフォンのBluetoothボタンを押せばいつでも、最後に接続されていた機器との接続が開始されます(接続が可能な場合)。
- Bluetoothソース機器とPXヘッドフォンの接続を切るには、Bluetoothボタンを2回素早く連続して押します。この操作では、Bluetoothで接続されたすべての機器との接続が解除されます。Bluetoothの接続が切れたときは、ヘッドフォンから操作音が出力されます。

- PXヘッドフォンとペアリングした機器のメモリは、音量-とBluetoothのボタンを2秒長押しすると消去できます。メモリが消去されるとインジケータが点滅し、PXヘッドフォンは再始動します。

7. Bluetoothオーディオをコントロールする

Bluetoothオーディオは、PXヘッドフォンの再生/一時停止、音量+、音量-のボタンを使って以下のようにコントロールすることができます。

- 音量を上げるには、Vol +を押してください。
- 音量を下げるには、Vol -を押してください。
- オーディオを再生または一時停止するには、再生/一時停止ボタンを押して離してください。
- 次の曲を選ぶ時には再生/一時停止ボタンを2回早押ししてください。
- 前の曲を選ぶ時には再生/一時停止ボタンを3回早押ししてください。

8. リアルワールドリスニング

PXヘッドフォンの環境フィルターノイズキャンセリングは、右耳側イヤークラスの側面にある環境フィルターボタンを押すことで有効に切り替わります。環境フィルターはお買い上げ時の設定では無効になっています。環境フィルターのプロファイルには3つの選択肢が用意され、異なる環境に対して調整されたノイズキャンセル特性を提供します。プロファイルの選択にはBowers & Wilkinsヘッドフォンアプリを使用します。右耳側イヤークラスの環境フィルターオン/オフボタンを押すと、最後に使用したノイズキャンセリングプロファイルが選択されます。

PXヘッドフォンのボイスパススルー機能を使うと、ヘッドフォンを外す必要なしで、会話や安全アナウンスなどの外部音を明瞭に聞くことが可能になります。ボイスパススルーは、Bowers & Wilkinsヘッドフォンアプリから選択します。

ご注意:環境フィルターとボイスパススルー機能では、ヘッドフォンから音声信号が再生されている必要はありません。ヘッドフォンから音声再生されている場合、その音声の特性と音量に応じてボイスパススルーの可聴性が常にある程度変化します。

ご注意:眼鏡を装着することで耳の外形が変わる場合、ヘッドフォンの環境フィルター性能を妨げる可能性があります。同様に、耳とヘッドフォンのイヤークラスの間に髪の毛が挟まっている場合も、近接センサーの精度が下がることがあります。

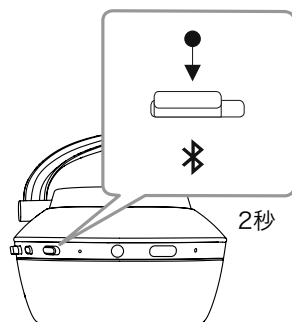


図6 Bluetoothペアリングモードへの手動切り替え

9. 携帯電話/スマートフォンの使用について

PXヘッドフォンはBluetoothで接続された携帯電話やスマートフォンと一緒に使用して音声通話を行うことができます。

- 電話に応答するには、再生/一時停止ボタンを押して離してください。
- 応答を拒否するには、再生/一時停止ボタンを2秒押ししてください。
- 電話を終了するには、再生/一時停止ボタンを押して離してください。

ご注意:電話機能はヘッドフォンがBluetoothで接続されている場合のみ機能します。

10. ワイヤード接続

PXヘッドフォンはワイヤレスでの使用に加えて、同梱の音声ジャックケーブルとUSBケーブルを用いて音源に接続することもできます。

音声ジャックケーブルでの接続は、ヘッドフォンを飛行機搭乗中に使用する場合や、Bluetoothに対応していない旧来のハイファイシステムのような音源と使用する場合に便利です。

ご注意: ジャックを使用して音声を再生するには、PXヘッドフォンを充電して電源を入れておく必要があります。

対応するコンピュータとUSBで接続すると、PXヘッドフォンをUSB音声出力機器として使用することが可能になります。

ご注意: USBとジャックケーブルは同時に接続できないため、ヘッドフォンジャック入力の使用中でもUSBからの充電を継続することができます。

音声ジャックケーブルとPXヘッドフォンを接続してジャック入力を使用する場合の方法や動作は、以下に説明するとおりです。

- ジャックケーブルの片方の端を持ち、右耳側イヤークラスの下部にあるソケットに差し込みます。プラグが完全に差し込まれていることを確認してください。ケーブルのもう片方の端を音声再生機器のヘッドフォンソケットに接続します。
- ヘッドフォンの音声コントロールと再生/一時停止ボタンは、ジャックケーブルの接続を使用している間は機能しません。
- ジャックケーブルを接続すると、PXヘッドフォンのBluetoothストリーミングが自動的に一時停止になります。Bluetoothストリーミングを復旧させるには、ジャックケーブルをヘッドフォンのイヤークラスから取り外す必要があります。

USBケーブルとPXヘッドフォンを接続してUSB入力を使用する場合の方法や動作は、以下に説明するとおりです。

- 右耳側イヤークラスにあるBluetoothボタンを2回素早く連続で押すと、接続されたBluetooth機器すべての接続が解除されます。

ご注意: USB音声を再生する場合はBluetooth接続を切る必要があります。

- 右耳側ヘッドフォンイヤークラスの下面にあるソケットに小さいUSBプラグを差し込みます。大きいUSBプラグはコンピュータのUSBソケットに差し込みます。コンピュータのUSBソケットが充電に対応している場合は、すぐにヘッドフォンの充電が始まります。
- コンピュータのオーディオ出力コントロールパネルで、PXヘッドフォンを再生機器として選択します。コンピュータのオーディオ再生アプリで選択された音声は、PXヘッドフォンから再生されるようになります。
- ヘッドフォンの音量と再生/一時停止コントロールは、USB音声の再生中に通常どおり機能します。
- ヘッドフォンのBluetooth機能を復旧するには、Bluetoothボタンを押します。ヘッドフォンは最後に接続されていた機器との接続を試みます。

11. ヘッドフォンのファームウェアを更新する

PXヘッドフォンは性能の改良と新機能の追加を行うため、ファームウェア更新の対象になることがあります。

ファームウェア更新が利用できるときは、ヘッドフォンアプリに通知が表示されます。アプリで通知をタップして、更新処理を開始します。

ご注意: ファームウェア更新処理中は、ヘッドフォンとモバイル機器の電源を入れたままにし、近くに置いておく必要があります。また、ファームウェア更新を完了するために十分な充電容量がヘッドフォンに残っていることが重要です。ファームウェア更新の完了に十分な充電容量がない場合は、アプリで通知されます。

12. ヘッドフォンのリセットと再起動

ヘッドフォンアプリのファクトリーリセットオプションを使用して、PXヘッドフォンをお買い上げ時の設定にリセットすることができます。または、右耳側イヤークラスの中にあるピンホール型再起動ボタンを押すことでPXヘッドフォンを再起動できます。ピンホール型ボタンは図1のイラストで確認できます。

再起動ボタンを使用するには、伸ばしたペーパークリップを用いて2秒間ボタンを押したままにします。再起動の処理中にヘッドフォンの電源が切れます。ヘッドフォンの電源を入れて再起動処理を完了します。

ご注意: ピンホールによる再起動では、Bluetoothでペアリングされた機器の記憶は消去されません。

13. PXヘッドフォンのお手入れ

PXヘッドフォンのお手入れには湿った布を使い、きれいになるまで軽くたたいてください。革を布でこすらないでください。ヘッドフォンを傷つける可能性があるため、洗剤や革用の艶出しを使用しないでください。

ご注意: PXヘッドフォンの革製イヤークラス部品は磁気で取り付けられているため、必要に応じてお手入れ時に取り外すことができます。イヤークラスの本体から静かに部品を外してください。

図7
インジケータの点灯

点灯	意味
緑(ゆっくり点滅)	充電中
緑	ヘッドフォン電源入、充電50%超
黄	ヘッドフォン電源入、充電30%超
赤	ヘッドフォン電源入、充電30%未満
赤(ゆっくり点滅)	ヘッドフォン動作に充電が不十分
赤(点滅)	ヘッドフォン電源オフ
青	Bluetooth接続完了
青(点滅)	Bluetoothペアリングモード有効
青(ゆっくり点滅)	Bluetoothペアリング実行中
青(繰り返し点滅)	Bluetoothペアリング失敗
白	環境フィルター有効

図8
ボタン機能

ボタン	操作	機能
ON/OFF/Bluetooth	スライドする	電源を入れる
	スライドしたままにする	電源を切る
	押したままにする	ペアリングモードに入る
	押す	最後に接続していたBluetooth機器に接続する
	2回押す	すべてのBluetooth機器との接続を解除する
ON/OFF/Bluetoothと音量-	両方を押したままにする	Bluetooth機器の記憶を消去する
環境フィルター	押す	アプリで最後に選択された環境フィルター設定に入る、または解除する
音量+	押す	音量を上げる
音量-	押す	音量を下げる
再生/一時停止	押す	音声を再生または一時停止する
	2回押す	次のトラックを再生する
	3回押す	前のトラックを再生する
再生/一時停止	押す	電話の呼び出しに答える、または終了する
	押したままにする	電話の呼び出しを拒否する
ご注意: 電話機能はヘッドフォンがBluetoothで接続されている場合のみ機能します。		
再生/一時停止と音量+	両方を押す	操作音の入切を切り替える

仕様

技術的特徴:	<p>アダプティブノイズキャンセリングとボイスパススルー</p> <p>Bluetoothオーディオ - aptX-HD対応Bluetooth 4.1</p> <p>再生/一時停止/オン/オフのスマート検出</p> <p>USB-C充電およびオーディオインタフェース</p> <p>充電式リチウムバッテリー</p> <p>柔らかい革製メモリフォームクッション</p> <p>世界トップクラスの音響</p> <p>高級な素材および製造品質</p> <p>オーディオ再生をカスタマイズするためのモバイル機器用アプリ</p> <p>折りたたみ式设计</p>
Bluetoothコーデック:	<p>aptX-HD</p> <p>AAC</p> <p>SBC</p>
Bluetoothプロファイル:	<p>A2DP v1.3</p> <p>AVRCP v1.6</p> <p>HFP v1.6</p> <p>HSP v1.2</p> <p>GAP</p> <p>SDAP</p> <p>DIP</p>
ドライブユニット:	2×40mmフルレンジ
周波数帯域:	10Hz~20kHz
入力インピーダンス:	22 Ohms
歪み率(THD):	<0.3%(1kHz/10mW)
感度:	1kHz入力時111dB/V
バッテリー持続時間:	22時間(BT接続/ANCオン)、29時間(BTのみ)、33時間(ケーブル接続/ANCオン)、50時間(ケーブル接続のみ)
入力:	Bluetooth、3.5mmステレオジャック、USB-Cオーディオ
同梱物:	1.2mステレオジャックオーディオケーブル、1.2m USB-A to USB-Cケーブル、保護ポーチ
重量:	335g

欢迎使用Bowers & Wilkins PX耳机

感谢您选购Bowers & Wilkins产品。当我们公司的创办人John Bowers先生成立本公司时,就秉持着一种信念:富有想象力的设计、创新的工程和先进的技术是开启家庭音响娱乐大门的重要元素。我们依然坚持着他的信念,并赋予我们所有产品设计灵感。

PX是一款高性能耳罩式耳机结合无线操作的便利性和噪音消除的宁静,为您带来极高质量的个人音频体验。本手册将为您介绍PX的所有信息,让您发挥它所有的潜能。

PX可通过无线方式使用,利用蓝牙无线技术播放从手机、平板电脑或电脑上串流的音乐;也可通过接线连接到合适的耳机输出。PX耳机也可通过USB连接到电脑播放音频,及可当作无线电话使用。

PX耳机的现实生活的聆听体验功能包括环境过滤器和声音通过。环境过滤器的降噪功能是可选的,并可通过耳机上的按钮轻松启用和关闭。声音通过功能让您在无须摘除耳机的情况下,清楚聆听到周围的声音,如对话或安全广播。环境过滤器和声音通过功能均可于iOS和Android的Headphone應用程式开启。此應用程式亦可调校某些耳机特性。

PX耳机配备了可充电电池组。当完全充满电时及根据蓝牙、环境过滤器和声音通过的使用情况,在平均音量水平下电池组可提供22小时或以上的使用时间。

1. PX盒内物品

- i. PX无线耳机
- ii. USB充电线
- iii. 音频插口接线
- iv. 储存袋
- v. 文件包

环境信息

本产品符合国际指令，包括但不限于电子和电气设备的有害物质限制指令(RoHS)、化学品注册、评估、许可和限制指令(REACH)以及废弃电子电气设备的处置规定指令(WEEE)。请与当地废物处置机构联系以获取有关如何正确回收或处置本产品的指导信息。

2. 认识PX

通过右侧耳机耳罩上的电源滑动开关开启PX后，即可通过同样位于右侧耳机耳罩上的播放/暂停和音量按钮控制耳机。已连接的蓝牙或USB设备也能够控制耳机音量和音频播放。

蓝牙按钮旁的指示灯会显示连接状态和电池电量。耳机还可以播放一些控制指令和活动的提示音频。

注：图7列出了指示灯的装态。

注：可以通过同时按压播放/暂停及音量+按钮来切换开关音频提示。

USB插孔及音频接线连接插孔位于右侧耳机耳罩下方，并于右耳垫下方设有一个针孔重启按钮。

注：音频及USB接线的连接方法在第10节中说明。

PX耳机在耳罩中置入了近距离感测传感器，这意味着当您把耳机从头部取下来两分钟后，耳机会自动进入待机模式和断开任何蓝牙设备的连接。当您把耳机戴上，它们会自动从待机模式唤醒和与最后连接的蓝牙设备进行连接。

电源按钮旁的按压按钮可以启用和禁用环境过滤器噪音管理。当启用时，环境过滤器可以在所有三个耳机输入(蓝牙、USB和音频插孔)下运作。

注：图8列出了蓝牙功能。

Bowers & Wilkins Headphone应用程序提供延伸的设置和控制功能，包括环境过滤器和声音通过、调校和模式选择。耳罩内的近距离感测传感器的灵敏度也可以通过该应用程序调校。应用程序能够于iOS和Android设备免费下载。

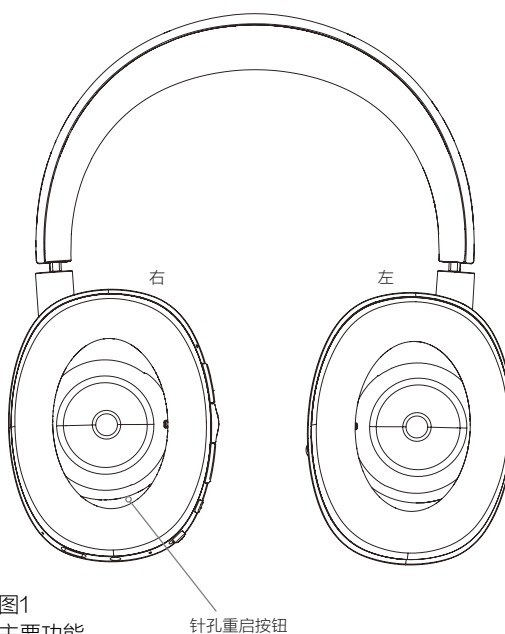


图1
主要功能

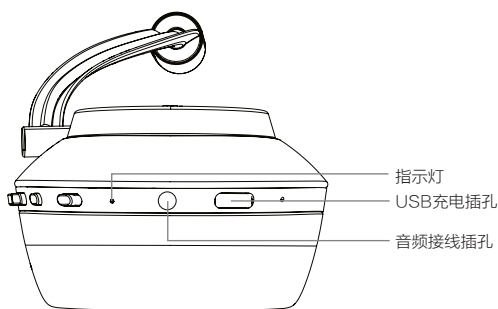


图2
底视图

3. 电池充电

PX配备可立即使用的电池，但在首次使用前先为电池充满为佳。把PX完全充满电大约需要3小时，但仍可在电池充电时使用PX。

注：当PX开启时，指示灯会先显示电池电量。绿色表示电池的电量在50%以上。黄色表示电池的电量在30%至50%之间。红色表示电池的电量低于30%。如果指示灯闪烁红色，表示电池的电量不足以支持耳机的运作。图7详细描述了指示灯的灯光状态。

电池充电操作详述于以下段落：

- 使用随附的USB充电线将耳机连接到带电的USB插孔；可以是电脑的USB插孔、带电源的USB充电器或车载充电器。
- 在充电时，耳机指示灯将闪烁绿色。随着电量水平提高，每次闪烁之间的点亮时间将变得更长。当完全充满电时，指示灯将长亮。

4. 佩戴PX

正确使用耳机可帮助确保充分发挥它们的性能潜力。首先，识别左和右耳罩。标识刻在头带内侧下方，如图3中所示。

把耳机戴在头上，并调节头带，以使每个耳罩舒适地覆盖在耳朵上，如图4中所示。请确保您的耳罩不会向上拉和对头部造成不必要的压力。

我们建议您在不使用耳机时将它装回专属的储存袋中。

注：配戴眼镜会导致耳朵的形状有所改变，这可能会干扰耳机环境过滤器的性能。同样的，夹在耳朵和耳罩中间的头发的也可能影响近距离的感测。

5. 开启和关闭

若要开启您的PX耳机，请将电源按钮滑向一边，如图5所示。

您的PX耳机的设计在您不使用耳机时智能切换到待机模式和断开与蓝牙的连接，而当您佩戴上耳机时它将自动唤醒，因此在平常的情况下不需要将其关闭。若要关闭，请滑动电源按钮并保持1-2秒。指示灯会闪烁红色以确认关闭。

耳机开启和关闭时将发出声音提示。

注：如PX已开启，但闲置超过2分钟，它则将自动进入待机模式以节约电池量。

注：耳罩中的感应式传感器对于控制耳机开启和待机的灵敏度，可以通过专属的应用程式调校。



图3
识别左和右

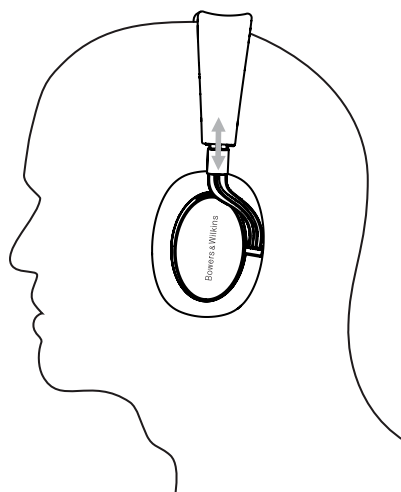


图4
调节耳罩

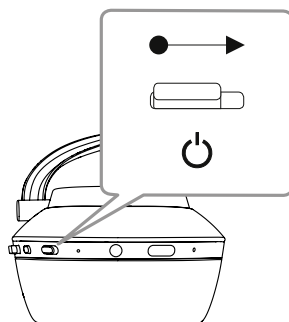


图5
开启

6. 蓝牙配对

若要将PX耳机连接到支持蓝牙的音频设备，如您的手提电话，它必须先与该设备进行“配对”。配对之后，蓝牙设备和耳机将互相“记住”对方，当在范围内即可连接，而无需再次进行配对。

首次使用您的PX耳机时，耳机会自动以蓝牙配对模式启动。请遵循以下所述步骤配对设备：

- 确保已经开启耳机和进入配对模式。指示灯将闪烁蓝色。
- 打开需要配对的设备的蓝牙设置并确保蓝牙已开启。在可用的设备上将显示‘PX Bowers & Wilkins’。选择‘PX Bowers & Wilkins’，并关闭蓝牙设置屏幕。
- 耳机指示灯在配对中将闪烁蓝色，并于配对成功时长亮蓝色。当配对成功时，耳机也会发出声音提示。
- 当配对成功时，请确保已在您的音频应用程序中选择该耳机作为播放设备。

对于往后的配对，您必须手动切换到配对模式：如图6所示。

- 开启耳机后，请直接向内按压蓝牙/电源组成按钮两秒。指示灯将闪烁蓝色，耳机在进入配对模式时将发出声音提示。
- 请再次进入需要与耳机配对的设备的蓝牙设置屏幕，并在列表中搜寻‘PX Bowers & Wilkins’。请点击，两个设备将进行配对。

注：如果在五分钟内未配对设备，您的耳机将自动从蓝牙配对模式退出。

注：进行配对时偶尔会配对失败，在这时候，耳机指示灯会在两秒钟内闪烁蓝色。把两个设备靠近一些再次尝试。

6.1 蓝牙配对备注

- 您的PX耳机可记住最多八个已配对的蓝牙设备。耳机可同时连接两个设备使用，例如：从一个设备播放音乐，而从另一个设备通电话。
- 当您的耳机关闭或处于待机模式一段时间后开启时，如果耳机已经开启并处于范围内，耳机会自动连接最后连接的设备。其他已配对的设备将不会自动进行连接，必须通过蓝牙设置菜单来连接。
- 当连接断开时，按一下耳机的蓝牙按钮，如许可，将会指示您连接到最后连接的设备。
- 如需从PX耳机上断开蓝牙源设备，请快速按蓝牙按钮两次。这样即可断开所有已连接的蓝牙设备。当蓝牙断开时，耳机将发出声音提示。

- 若要删除耳机已配对的设备记忆，只需同时按下蓝牙和音量-按钮2秒即可。指示灯将闪烁且耳机将重启。

7. 控制蓝牙音频

PX耳机的播放/暂停、音量+和音量-按钮可用于控制蓝牙音频：

- 若要提高音量，请按下音量+按钮。
- 若要减小音量，请按下音量-按钮。
- 若要播放或暂停音频，请按播放/暂停按钮，然后再松开。
- 若要选择下一个曲目，请快速按播放/暂停按钮两次。
- 若要选择上一个曲目，请快速按播放/暂停按钮三次。

8. 现实生活的聆听体验

只需按下右耳罩旁边的环境过滤器按钮，即可开启PX耳机的环境过滤器的降噪功能。环境过滤器默认为关闭。三种环境过滤功能可供选择，提供针对不同环境的降噪特性调整。这些都能透过Bowers & Wilkins Headphone应用程序选择。位于右耳罩的环境过滤器开启/关闭按钮会选择最后的降噪配置。

PX耳机的声音通过功能可以让您在无须摘下耳机的情况下仍能听到外界的声音，如对话或安全广播。声音通过功能可以使用‘PX & Wilkins Headphone应用程序来选择。

注：环境过滤器和声音通过功能不需耳机播放音频信号。如果耳机正在播放音频，声音通过的清晰度将取决于它的特性和音平。

注：配戴眼镜会导致耳朵的形状有所改变，这可能会干扰耳机环境过滤器的性能。同样的，夹在耳朵和耳罩中间的头发也可能会影响近距离的感测。

9. 配合手机使用

您的PX耳机能够透过蓝牙连接手机进行通话：

- 若要接听电话，请按播放/暂停按钮，然后再松开。
- 若要拒接电话，请按播放/暂停按钮2秒。
- 若要结束通话，请按播放/暂停按钮，然后再松开。

当接听电话时，播放中的蓝牙音频将会暂停。当通话结束时，将恢复播放。

注：电话功能只可在耳机通过蓝牙连接时运作。

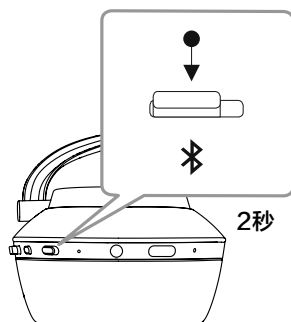


图6
手动切换至蓝牙配对模式

10. 有线连接

除了以无线方式操作，PX还可使用随附的音频和USB接线连接到音源。

如果在飞机上使用耳机或与非蓝牙音源配合使用，如传统的高保真音响系统，那么音频接线连接将很有用。

注：如使用PX耳机的插口播放音频时，必须先为您的耳机充电和开启耳机。

USB连接让您的PX耳机在合适的电脑连接时作为USB声音输出。

注：USB和插口接线可以同时连接，以便在使用耳机插口输入时可以继续以USB为电池充电。

连接音频插口接线和使用插口输入时的PX耳机操作在以下段落描述：

- 将插口接线的一端插入右耳罩底的插座。请确保插头完全插入插座内。将插口接线的另一端连接到音频播放设备的耳机插座。
- 当使用插口接线连接时，耳机的音量控制和播放/暂停按钮将不起作用。
- 连接插口接线将自动关闭PX耳机的蓝牙串流。若要重启蓝牙串流，必须将插口接线与耳机的耳罩断开连接。

连接及使用USB接线和使用USB输入时的PX耳机操作在以下段落描述：

- 请快速按右耳罩的蓝牙按钮两次以断开与所有蓝牙设备的连接。

注：必须先断开蓝牙的连接才能播放USB音频。

- 将小的USB插头插入右耳罩底的插座。将大的USB插头插入电脑USB插座。如电脑的USB插座带电，耳机的电池会立刻开始充电。
- 在电脑的音频输出控制面板上选择PX耳机作为播放设备。在电脑音频播放程式中选择的音频将通过您的PX耳机播放。
- 播放USB音频时，耳机的音量和播放/暂停控制将正常运作。
- 要恢复耳机的蓝牙功能，请按一下蓝牙按钮。耳机将尝试与最后连接的设备进行连接。

11. 耳机固件更新

您的PX耳机需要偶尔进行固件更新，以优化性能和添加新功能。

当有固件更新，耳机应用程式将会有通知显示。点击应用程式里的通知来开始进行更新程序。

注：在固件更新过程中，耳机和移动设备必须保持开启和接近。请确保耳机中的电池有充足电量完成固件更新。当没有足够电池电量来进行固件更新时，应用程式将有提示。

12. 重置和重启耳机

您的PX耳机能够透过耳机应用程式里的出厂设置选项，或按下右耳罩内的针孔重置按钮来重置为默认设定。图1描述了针孔按钮的位置。

使用拉直的曲别针按压重置按钮两秒。耳机会在重启过程中关闭。开启耳机以完成重启过程。

注：针孔重启不会清除蓝牙配对设备的记忆。

13. 清洁您的PX耳机

使用湿布清洁PX耳机直至它变干净，请勿用布擦皮革。请勿使用清洁剂或皮革光亮剂，以免损坏耳机。

注：PX耳机的皮质耳罩部件以磁力连接，如有需要，可把耳罩拆下来进行清洁。

图7
指示灯灯光说明

灯光	指示
绿色（慢闪）	电池充电中
绿色	耳机开启，电池电量 > 50%
黄色	耳机开启，电池电量 > 30%
红色	耳机开启，电池电量 < 30%
红色（慢闪）	电池的电量不足以耳机操作
红色（闪烁）	耳机关闭中
蓝色	蓝牙连接建立
蓝色（闪烁）	蓝牙配对模式启动
蓝色（慢闪）	进行蓝牙配对中
蓝色（重覆闪烁）	蓝牙配对失败
白色	环境过滤器启动

图8
按钮功能

按钮	动作	功能
开启/关闭/蓝牙	滑动	开启
	滑动并保持	关闭
	按下并保持	进入配对模式
	按下	连接最后连接的蓝牙设备
开启/关闭/蓝牙和音量-	2 X 按下	断开所有蓝牙设备
	同时按下并保持	清除蓝牙设备记忆
环境过滤器	按下	使用或解除在应用程式中最后选择的环境过滤器设定
音量+	按下	提高音量
音量-	按下	降低音量
播放/暂停	按下	播放或暂停音频
	2 x 按下	播放下一首曲目
	3 x 按下	播放上一首曲目
播放/暂停	按下	接听或结束电话
	按下并保持	拒绝来电
播放/暂停和音量 +	同时按下	开启/关闭音频提示

注：当使用插口接线连接时，耳机的音量控制和播放/暂停按钮将不起作用。

注：电话功能只可在耳机通过蓝牙连接时运作。

产品规格

技术特色:	自适应降噪和声音通过 蓝牙音频 - 蓝牙4.1 aptX-HD 智能感应式播放/暂停/开启/关闭 USB-C充电及音频接口 充电式锂电池 软皮记忆泡沫耳垫 顶尖声学技术 优质物料和建构质量 配置的移动应用程序能够个性化您的音频播放 可平折设计
蓝牙编解码器:	aptx-HD AAC SBC
蓝牙配置文件:	A2DP v1.3 AVRCP v1.6 HFP v1.6 HSP v1.2 GAP SDAP DIP
驱动单元:	2 x 40mm 全频
频率范围:	10Hz 至 20kHz
输入阻抗:	22 Ω
失真 (THD):	<0.3% (1kHz/10mW)
灵敏度:	111dB/V @ 1kHz
电池使用时间:	22小时蓝牙/主动降噪, 29小时蓝牙, 33小时有线连接及主动降噪, 50小时有线连接。
输入:	蓝牙, 3.5mm立体声插孔, USB-C音频
箱内配件:	1.2m立体声插孔音频接线, 1.2m USB-A转换USB-C接线 保护袋
重量:	335g

歡迎使用Bowers & Wilkins PX耳機

感謝您選購Bowers & Wilkins產品。當我們公司的創辦人John Bowers先生成立本公司時，就秉持著一種信念：富有想象力的設計、創新的工程和先進的技術是開啓家庭音響娛樂大門的重要元素。我們依然堅持著他的信念，並賦予我們所有產品設計靈感。

PX是一款高性能耳罩式耳機結合無線操作的便利性和噪音消除的寧靜，為您帶來極高質量的個人音頻體驗。本手冊將為您介紹PX的所有信息，讓您發揮它所有的潛能。

PX可通過無線方式使用，利用藍牙無線技術播放從手機、平板電腦或電腦上串流的音樂；也可通過接線連接到合適的耳機輸出。PX耳機也可通過USB連接到電腦播放音頻，及可當作無線電話使用。

PX耳機的現實生活的聆聽體驗功能包括環境過濾器 and 聲音通過。環境過濾器的降噪功能是可選的，並可通過耳機上的按鈕輕鬆啟用和關閉。聲音通過功能讓您在無須摘除耳機的情況下，清楚聆聽到周圍的聲音，如對話或安全廣播。環境過濾器和聲音通過功能均可於iOS和Android的Headphone應用程式開啟。此應用程式亦可調校某些耳機特性。

PX耳機配備了可充電電池組。當完全充滿電時及根據藍牙、環境過濾器 and 聲音通過的使用情況，在平均音量水平下電池組可提供22小時或以上的使用時間。

1. PX盒內物品

- i. PX無線耳機
- ii. USB充電線
- iii. 音頻插口接線
- iv. 儲存袋
- v. 文件包

環境信息

本產品符合國際指令，包括但不限於電子和電氣設備的有害物質限制指令(RoHS)、化學品註冊、評估、許可和限制指令(REACH)以及廢棄電子電氣設備的處置規定指令(WEEE)。請與當地廢物處置機構聯繫以獲取有關如何正確回收或處置本產品的指導信息。

2. 認識PX

通過右側耳機耳罩上的電源滑動開關開啟PX後，即可通過同樣位於右側耳機耳罩上的播放/暫停和音量按鈕控制耳機。已連接的藍牙或USB設備也能夠控制耳機音量和音頻播放。

藍牙按鈕旁的指示燈會顯示連接狀態和電池電量。耳機還可以播放一些控制指令和活動的提示音頻。

注：圖7列出了指示燈的裝態。

注：可以通過同時按壓播放/暫停及音量+按鈕來切換開關音頻提示。

USB插孔及音頻接線連接插孔位於右側耳機耳罩下方，並於右耳墊下方設有一個針孔重啟按鈕。

注：音頻及USB接線的連接方法在第10節中說明。

PX耳機在耳罩中置入了近距離感測傳感器，這意味著當您把耳機從頭部取下來兩分鐘後，耳機會自動進入待機模式和斷開任何藍牙設備的連接。當您把耳機戴上，它們會自動從待機模式喚醒和與最後連接的藍牙設備進行連接。

電源按鈕旁的按壓按鈕可以啟用和禁用環境過濾器噪音管理。當啟用時，環境過濾器可以在所有三個耳機輸入(藍牙、USB和音頻插孔)下運作。

注：圖8列出了藍牙功能。

Bowers & Wilkins Headphone應用程式提供延伸的設置和控制功能，包括環境過濾器 and 聲音通過、調校和模式選擇。耳罩內的近距離感測傳感器的靈敏度也可以通過該應用程式調校。應用程式能夠於iOS和Android設備免費下載。

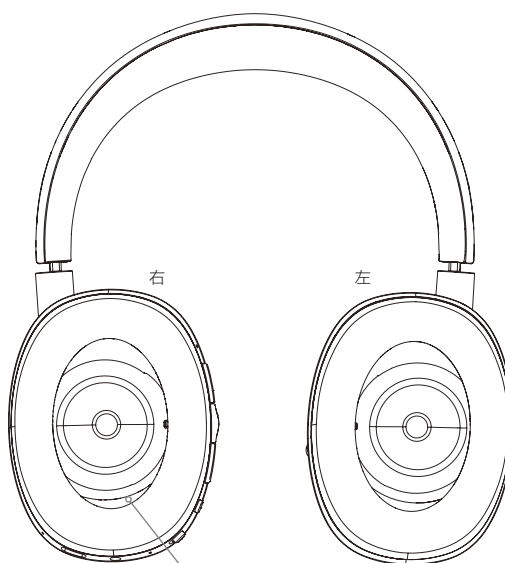


圖1
主要功能

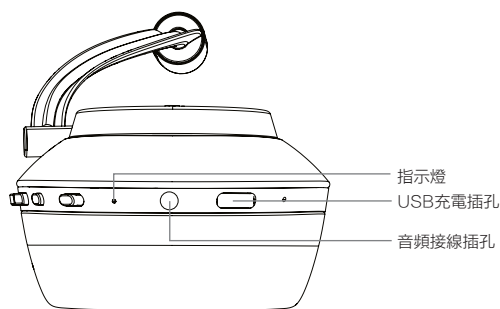


圖2
底視圖

3. 電池充電

PX配備可立即使用的電池，但在首次使用前先為電池充滿為佳。把PX完全充滿電大約需要3小時，但仍可在電池充電時使用PX。

注：當PX開啓時，指示燈會先顯示電池電量。綠色表示電池的電量在50%以上。黃色表示電池的電量在30%至50%之間。紅色表示電池的電量低於30%。如果指示燈閃爍紅色，表示電池的電量不足以支持耳機的運作。圖7詳細描述了指示燈的燈光狀態。

電池充電操作詳述於以下段落：

- 使用隨附的USB充電線將耳機連接到帶電的USB插孔；可以是電腦的USB插孔、帶電源的USB充電器或車載充電器。
- 在充電時，耳機指示燈將閃爍綠色。隨著電量水平提高，每次閃爍之間的點亮時間將變得更長。當完全充滿電時，指示燈將長亮。

4. 佩戴PX

正確使用耳機可幫助確保充分發揮它們的性能潛力。首先，識別左和右耳罩。標識刻在頭帶內側下方，如圖3中所示。

把耳機戴在頭上，並調節頭帶，以使每個耳罩舒適地覆蓋在耳朵上，如圖4中所示。請確保您的耳罩不會向上拉和對頭部造成不必要的壓力。

我們建議您在不使用耳機時將它裝回專屬的儲存袋中。

注：配戴眼鏡會導致耳朵的形狀有所改變，這可能會干擾耳機環境過濾器的性能。同樣的，夾在耳朵和耳罩中間的頭髮也可能會影響近距離的感測。

5. 開啓和關閉

若要開啓您的PX耳機，請將電源按鈕滑向一邊，如圖5所示。

您的PX耳機的設計在您不使用耳機時智能切換到待機模式和斷開與藍牙的連結，而當您配戴上耳機時它將自動喚醒，因此在平常的情況下不需要將其關閉。若要關閉，請滑動電源按鈕並保持1-2秒。指示燈會閃爍紅色以確認關閉。

耳機開啓和關閉時將發出聲音提示。

注：如PX已開啓，但閒置超過2分鐘，它則將自動進入待機模式以節約電池量。

注：耳罩中的感應式傳感器對於控制耳機開啓和待機的靈敏度，可以通過專屬的應用程式調校。



圖3
識別左和右

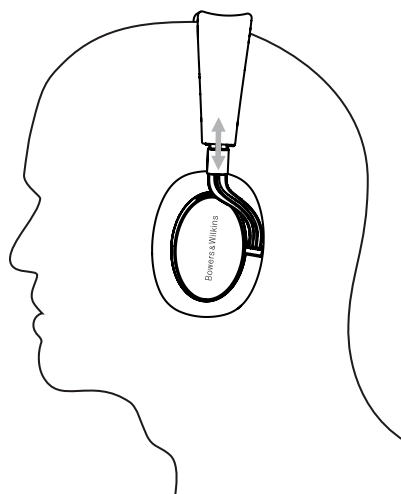


圖4
調節耳罩

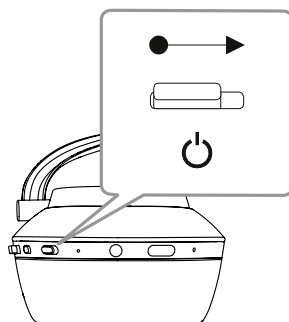


圖5
開啓

6. 藍牙配對

若要将PX耳機連接到支援藍牙的音頻設備，如您的手提電話，它必須先與該設備進行“配對”。配對之後，藍牙設備和耳機將互相“記住”對方，當在範圍內即可連接，而無需再次進行配對。

首次使用您的PX耳機時，耳機會自動以藍牙配對模式啟動。請遵循以下所述步驟配對設備：

- 確保已經開啟耳機和進入配對模式。指示燈將閃爍藍色。
- 打開需要配對的設備的藍牙設置並確保藍牙已。在可用的設備上將顯示‘PX Bowers & Wilkins’。選擇‘PX Bowers & Wilkins’，並關閉藍牙設置屏幕。
- 耳機指示燈在配對中將閃爍藍色，並於配對成功時長亮藍色。當配對成功時，耳機也會發出聲音提示。
- 當配對成功時，請確保已在您的音頻應用程式中選擇該耳機作為播放設備。

對於往後的配對，您必須手動切換到配對模式：如圖6所示。

- 開啟耳機後，請直接向內按壓藍牙/電源組按鍵兩秒。指示燈將閃爍藍色，耳機在進入配對模式時將發出聲音提示。
- 請再次進入需要與耳機配對的設備的藍牙設置屏幕，並在列表中搜尋‘PX Bowers & Wilkins’。請點擊，兩個設備將進行配對。

注：如果在五分鐘內未配對設備，您的耳機將自動從藍牙配對模式退出。

注：進行配對時偶爾會配對失敗，在這時候，耳機指示燈會在兩秒鐘內閃爍藍色。把兩個設備靠近一些再次嘗試。

6.1 藍牙配對備註

- 您的PX耳機可記住最多八個已配對的藍牙設備。耳機可同時連接兩個設備使用，例如：從一個設備播放音樂，而從另一個設備通電話。
- 當您的耳機關閉或處於待機模式一段時間後開啟時，如果耳機已經開啟並處於範圍內，耳機會自動連接最後連接的設備。其他已配對的設備將不會自動進行連接，必須通過藍牙設置頁面來連接。
- 當連接斷開時，按一下耳機的藍牙按鈕，如許可，將會指示您連接到最後連接的設備。
- 如需從PX耳機上斷開藍牙源設備，請快速按藍牙按鈕兩次。這樣即可斷開所有已連接的藍牙設備。當藍牙斷開時，耳機將發出聲音提示。

- 若要刪除耳機已配對的設備記憶，只需同時按下藍牙和音量-按鈕2秒即可。指示燈將閃爍且耳機將重啓。

7. 控制藍牙音頻

PX耳機的播放/暫停、音量和+音量和-按鈕可用於控制藍牙音頻：

- 若要提高音量，請按下音量+按鈕。
- 若要減小音量，請按下音量-按鈕。
- 若要播放或暫停音頻，請按播放/暫停按鈕，然後再鬆開。
- 若要選擇下一個曲目，請快速按播放/暫停按鈕兩次。
- 若要選擇上一個曲目，請快速按播放/暫停按鈕三次。

8. 現實生活的聆聽體驗

只需按下右耳罩旁邊的環境過濾器按鈕，即可開啟PX耳機的環境過濾器的降噪功能。環境過濾器預設為關閉。三種環境過濾功能可供選擇，提供針對不同環境的降噪特性調整。這些都能透過Bowers & Wilkins Headphone應用程式選擇。位於右耳罩的環境過濾器開啟/關閉按鈕會選擇最後的降噪配置。

PX耳機的聲音通過功能可以讓您在無須摘下耳機的情況下仍能聽到外界的聲音，如對話或安全廣播。聲音通過功能可以使用Bowers & Wilkins Headphone應用程式來選擇。

注：環境過濾器和聲音通過功能不需耳機播放音頻信號。如果耳機正在播放音頻，聲音通過的清晰度將取決於它的特性和音平。

注：配戴眼鏡會導致耳朵的形狀有所改變，這可能會干擾耳機環境過濾器的性能。同樣的，夾在耳朵和耳罩中間的頭髮也可能會影響近距離的感測。

9. 配合手機使用

您的PX耳機能夠透過藍牙連接手機進行通話：

- 若要接聽電話，請按播放/暫停按鈕，然後再鬆開。
- 若要拒接電話，請按播放/暫停按鈕2秒。
- 若要結束通話，請按播放/暫停按鈕，然後再鬆開。

當接聽電話時，播放中的藍牙音頻將會暫停。當通話結束時，將恢復播放。

注：電話功能只可在耳機通過藍牙連接時運作。

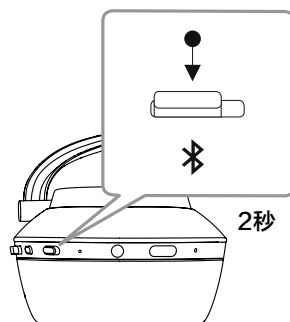


圖6
手動切換至藍牙配對模式

10. 有線連接

除了以無線方式操作，PX還可使用隨附的音頻和USB接線連接到音源。

如果在飛機上使用耳機或與非藍牙音源配合使用，如傳統的高保真音響系統，那麼音頻接線連接將很有用。

注：如使用PX耳機的插口播放音頻時，必須先為您的耳機充電和開啟耳機。

USB連接讓您的PX耳機在合適的電腦連接時作為USB聲音輸出。

注：USB和插口接線可以同時連接，以便在使用耳機插口輸入時可以繼續以USB為電池充電。

連接音頻插口接線和使用插口輸入時的PX耳機操作在以下段落描述：

- 將插口接線的一端插入右耳罩底的插座。請確保插頭完全插入插座內。將插口接線的另一端連接到音頻播放設備的耳機插座。
- 當使用插口接線連接時，耳機的音量控制和播放/暫停按鈕將不起作用。
- 連接插口接線將自動關閉PX耳機的藍牙串流。若要重啟藍牙串流，必須將插口接線與耳機的耳罩斷開連接。

連接及使用USB接線和使用USB輸入時的PX耳機操作在以下段落描述：

- 請快速按右耳罩的藍牙按鈕兩次以斷開與所有藍牙設備的連接。

注：必須先斷開藍牙的連接才能播放USB音頻。

- 將小的USB插頭插入右耳罩底的插座。將大的USB插頭插入電腦USB插座。如電腦的USB插座帶電，耳機的電池會立刻開始充電。
- 在電腦的音頻輸出控制面板上選擇PX耳機作為播放設備。在電腦音頻播放程式中選擇的音頻將通過您的PX耳機播放。
- 播放USB音頻時，耳機的音量和播放/暫停控制將正常運作。
- 要恢復耳機的藍牙功能，請按一下藍牙按鈕。耳機將嘗試與最後連接的設備進行連接。

11. 耳機固件更新

您的PX耳機需要偶爾進行固件更新，以優化性能和添加新功能。

當有固件更新，耳機應用程式將會有通知顯示。點擊應用程式裡的通知來開始進行更新程序。

注：在固件更新過程中，耳機和移動設備必須保持開啟和接近。請確保耳機中的電池有充足電量完成固件更新。當沒有足夠電池電量來進行固件更新時，應用程式將有提示。

12. 重置和重啟耳機

您的PX耳機能夠透過耳機應用程式裡的出廠設置選項，或按下右耳罩內的針孔重置按鈕來重置為預設設定。圖1描述了針孔按鈕的位置。

使用拉直的曲別針按壓重置按鈕兩秒。耳機會在重啟過程中關閉。開啟耳機以完成重啟過程。

注：針孔重啟不會清除藍牙配對設備的記憶。

13. 清潔您的PX耳機

使用濕布清潔PX耳機直至它變乾淨，請勿用布擦皮革。請勿使用清潔劑或皮革光亮劑，以免損壞耳機。

注：PX耳機的皮質耳罩部件以磁力連接，如有需要，可把耳罩拆下來進行清潔。

圖7
指示燈燈光說明

燈光	指示
綠色（慢閃）	電池充電中
綠色	耳機開啟，電池電量 > 50%
黃色	耳機開啟，電池電量 > 30%
紅色	耳機開啟，電池電量 < 30%
紅色（慢閃）	電池的電量不足以耳機操作
紅色（閃爍）	耳機關閉中
藍色	藍牙連接建立
藍色（閃爍）	藍牙配對模式啟動
藍色（慢閃）	進行藍牙配對中
藍色（重覆閃爍）	藍牙配對失敗
白色	環境過濾器啟動

圖8
按鈕功能

按鈕	動作	功能
開啟/關閉/藍牙	滑動	開啟
	滑動並保持	關閉
	按下並保持	進入配對模式
	按下	連接最後連接藍牙的設備
	2 x 按下	斷開所有藍牙設備
開啟/關閉/藍牙和音量 -	同時按下並保持	清除藍牙設備記憶
環境過濾器	按下	使用或解除在應用程式中最後選擇的環境過濾器設定
音量 +	按下	提高音量
音量 -	按下	降低音量
播放/暫停	按下	播放或暫停音頻
	2 x 按下	播放下一首曲目
	3 x 按下	播放上一首曲目
播放/暫停	按下	接聽或結束電話
	按下並保持	拒絕來電
播放/暫停和音量 +	同時按下	開啟/關閉音頻提示

注：當使用插口接線連接時，耳機的音量控制和播放/暫停按鈕將不起作用。

注：電話功能只可在耳機通過藍牙連接時運作。

產品規格

技術特色：	<p>自適應降噪和聲音通過</p> <p>藍牙音頻 - 藍牙4.1 aptX-HD</p> <p>智能感應式播放/暫停/開啓/關閉</p> <p>USB-C充電及音頻接口</p> <p>充電式鋰電池</p> <p>軟皮記憶泡沫耳墊</p> <p>頂尖聲學技術</p> <p>優質物料和建構質量</p> <p>配置的移動應用程式能夠個性化您的音頻播放</p> <p>可平折設計</p>
藍牙編解碼器：	<p>aptX-HD</p> <p>AAC</p> <p>SBC</p>
藍牙配置文件：	<p>A2DP v1.3</p> <p>AVRCP v1.6</p> <p>HFP v1.6</p> <p>HSP v1.2</p> <p>GAP</p> <p>SDAP</p> <p>DIP</p>
驅動單元：	2 x 40mm 全頻
頻率範圍：	10Hz 至 20kHz
輸入阻抗：	22 Ω
失真 (THD)：	<0.3% (1kHz/10mW)
靈敏度：	111dB/V @ 1kHz
電池使用時間：	22小時藍牙/主動降噪，29小時藍牙，33小時有線連接及主動降噪，50小時有線連接。
輸入：	藍牙，3.5mm立體聲插孔，USB-C音頻
箱內配件：	1.2m立體聲插口音頻接線，1.2m USB-A轉換USB-C接線 保護袋
重量：	335g

Bowers & Wilkins PX 헤드폰 사용자가 되신 것을 환영합니다.

Bowers & Wilkins 제품을 구매하여 주신데 대해 깊이 감사 드립니다. Bowers & Wilkins의 창립자 John Bowers는 가정에서 오디오의 즐거움을 느끼게 하는 중요 요소는 창의력이 풍부한 디자인, 혁신적 엔지니어링과 고도의 기술이라고 확신하였습니다. 그의 신념은 현재도 Bowers & Wilkins에서 공유되고 있으며 Bowers & Wilkins가 설계하는 모든 제품에 생명을 불어 넣고 있습니다.

PX 헤드폰은 어떤 상황에서도 최고 수준의 퍼스널 오디오 경험을 제공하고 더불어 블루투스 기능으로 편리성까지 제공하는 오버 이어 헤드폰입니다. 본 사용설명서에는 PX 헤드폰을 사용하는데 필요한 모든 것이 기재되어 있습니다.

PX 헤드폰은 스마트폰, 태블릿 및 컴퓨터의 블루투스 기능을 통해 무선으로 음악을 스트리밍하여 감상하거나 제공된 케이블로 헤드폰 출력에 연결하여 유선으로도 감상하실 수 있습니다. 또한 PX 헤드폰은 컴퓨터에 USB 연결을 통해 오디오를 재생할 수 있으며 무선으로 전화 통화가 가능합니다.

PX 헤드폰의 Real World Listening 기능에는 Environment Filter 와 Voice Pass-through가 있습니다. Environment Filter 노이즈 캔슬링은 선택 사항이며 헤드폰의 버튼을 통해 간단하게 활성화 또는 비활성화할 수 있습니다. Voice Pass-through 기능을 통해 헤드폰을 벗을 필요 없이 대화나 안내 방송과 같은 외부 소리를 명확하게 들을 수 있습니다. Environment Filter 와 Voice Pass-through 기능은 헤드폰 iOS 및 Android 앱에서 사용할 수 있습니다. 이 앱을 사용하면 특정한 헤드폰 특성을 조정할 수도 있습니다.

PX 헤드폰에는 배터리가 내장되어 있습니다. 블루투스 강도나 Environment Filter, Voice Pass-through 사용 여부에 따라 다르지만 완전히 충전하면 보통 볼륨에서 최대 22시간 사용이 가능합니다.

1. PX 포장 내용물

1. PX 와이어리스 헤드폰
2. USB 충전 케이블
3. 오디오 케이블
4. 휴대용 파우치
5. 문서 팩

환경 정보

B&W 제품은 유럽 유해물질사용제한지침 (RoHS), 화학물질관리제도(REACH)와 폐전기전자제품처리지침(WEEE)에 대응하여 설계되어 있습니다. 포장재나 제품을 폐기할 경우 재활용 가능 자원의 분리 배출요령에 따라 수거하여 주십시오.

2. PX 헤드폰 알아보기

오른쪽 이어피스에 위치한 슬라이드 스위치로 전원을 켜면 재생/일시정지, 볼륨 버튼을 컨트롤할 수 있습니다. 또 블루투스나 USB로 연결된 기기에서도 헤드폰 볼륨 및 오디오 재생을 컨트롤할 수 있습니다.

블루투스 버튼 옆에 있는 표시등은 블루투스 연결 상태 및 배터리 충전 레벨을 표시합니다. 또한 헤드폰은 컨트롤 명령이나 이벤트에 따라 알림음이 울립니다.

주의: 표시등 밝기는 그림 7을 참조하십시오.

주의: 재생/일시정지 버튼과 볼륨 “+” 버튼을 동시에 눌러 알림음을 켜고 끌 수 있습니다.

PX를 유선 헤드폰으로 사용할 수 있는 소켓과 USB 충전 소켓은 오른쪽 이어패드 하단에, 재부팅 핀홀 버튼은 이어패드 안쪽에 있습니다.

주의: 오디오 잭 및 USB 케이블 연결은 10 점을 참조하십시오.

PX 헤드폰은 이어피스에 근접 센서가 장착되어 있어 머리에서 헤드폰을 벗은 후 2분이 지나면 기기와 블루투스 연결이 해제되고 스탠바이 모드로 전환됩니다. 머리에 착용시 스탠바이 모드에서 자동으로 마지막에 연결되었던 블루투스 기기와 연결됩니다.

전원 버튼 옆에 있는 버튼을 누르면 Environment Filter가 활성화 또는 비활성화됩니다. 활성화되면 블루투스, USB 및 오디오 잭 등 3 입력 모두에 Environment Filter가 적용됩니다.

주의: 버튼 기능은 그림 8을 참조하십시오.

Bowers & Wilkins 헤드폰 앱은 Environment Filter, Voice Pass-through 기능, 조정, 모드 선택 등 여러 가지 설정을 할 수 있습니다. 이어피스 근접 센서 감도도 앱에서 조정할 수 있습니다. 앱은 iOS 및 Android 기기 용으로 다운로드 할 수 있습니다.

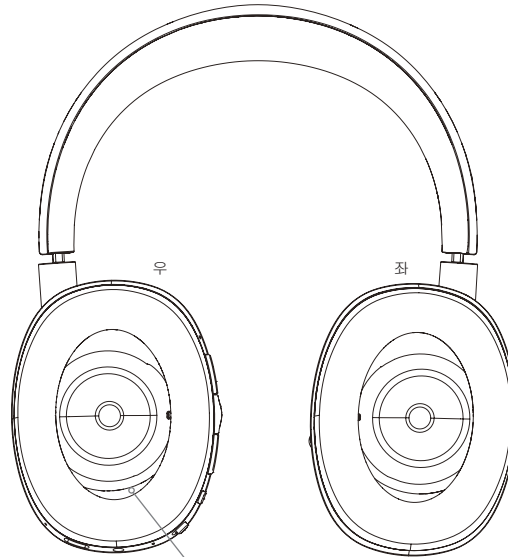
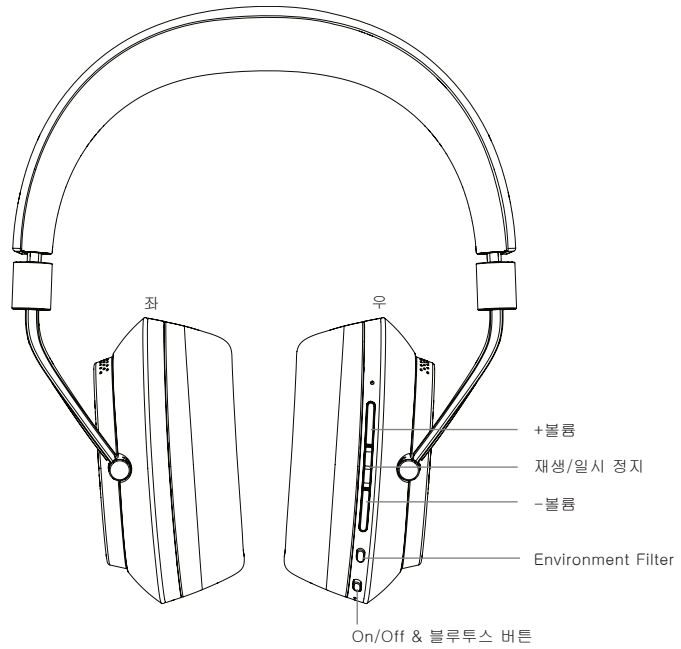


그림 1
메인 기능
핀홀 버튼

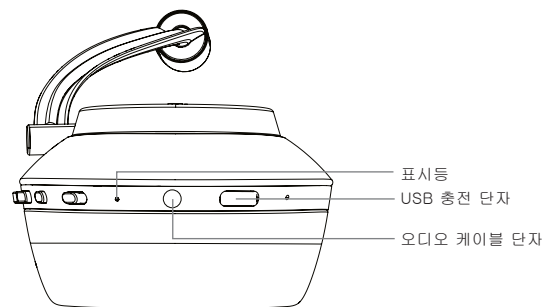


그림 2
하면부

3. PX 배터리 충전

PX 헤드폰 포장을 풀었을 때의 배터리는 부분적으로 충전된 상태입니다. 하지만 처음 사용하기 전에 배터리를 완전히 충전하는 것이 좋습니다. PX가 완전 방전 상태에서 완전 충전까지는 약 3시간이 소요되며 충전 중에도 사용이 가능합니다.

주의: PX의 전원을 켜면 표시등은 먼저 배터리 충전 상태를 표시합니다. 50% 이상 충전이 되었을 경우 녹색, 50% ~ 30%는 황색, 30% 이하는 적색으로 표시됩니다. PX를 작동하기에 배터리가 부족할 경우에는 적색으로 점멸합니다. 표시등 밝기는 그림 7을 참조하십시오.

충전에 관한 설명은 아래와 같습니다.

- 제공된 USB 충전 케이블을 사용하여 헤드폰의 USB 단자에 연결하십시오. 컴퓨터 USB 단자, USB 충전기나 차량 내부 충전기에 연결하여 충전 하십시오.
- 충전되는 동안에는 표시등이 녹색으로 점멸합니다. 배터리가 충전될수록 점멸 주기가 길어지고 충전이 완료되면 표시등이 점등됩니다.

4. 헤드폰 착용

헤드폰을 정확하게 사용해야 최고 성능으로 감상하실 수 있습니다. 먼저 좌,우 이어피스를 확인하십시오. 좌,우 마크는 그림 3과 같이 헤드 밴드 아래 금속 헌지에 새겨져 있습니다.

헤드폰을 머리에 착용하여 그림 5와 같이 이어피스가 양쪽 귀 위에 편안하게 자리하도록 조정하십시오. 이어피스가 위쪽으로 올라가지 않게 그리고 머리에 불필요한 압력이 가해지지 않도록 하십시오.

헤드폰을 사용하지 않을 때는 파우치에 넣어 헤드폰을 보관하여 주십시오.

주의: 안경을 쓰면 헤드폰 Environment Filter 성능이 저하될 수 있습니다. 또한 귀와 헤드폰 이어피스 사이에 머리카락이 있으면 근접 감지가 작동하지 않을 수 있습니다.

5. 전원 On/Off

PX 헤드폰 전원을 켜려면 그림 5와 같이 전원 버튼을 옆으로 미십시오.

PX 헤드폰은 사용하지 않을 경우 스탠바이 모드로 전환되고 Bluetooth 연결이 해제되며 착용하면 켜지도록 지능적으로 설계되었으므로 전원을 끌 필요는 없습니다. 그러나 전원을 끄고 싶다면 전원 버튼을 밀어 1 ~ 2 초간 기다리십시오. 전원이 꺼지면 표시등이 적색으로 점멸합니다.

헤드폰 전원을 끄거나 켜면 알림음이 울립니다.

주의: PX 헤드폰이 2분 이상 켜져 있어도 비활성 상태가 유지되면 배터리 전원을 절약하기 위해 자동으로 스탠바이 모드로 전환됩니다.

주의: 전원 및 스탠바이 모드를 컨트롤하는 이어피스 근접 센서의 감도는 헤드폰 앱에서 조정할 수 있습니다.



그림 3
좌우 확인

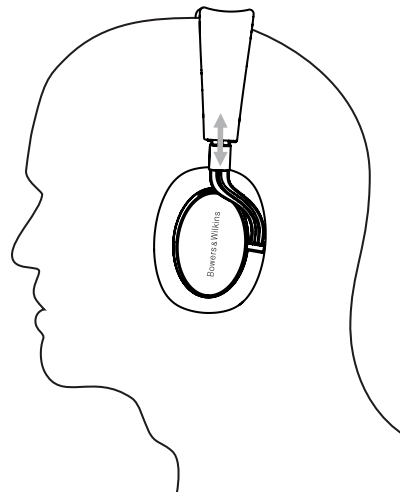


그림 4
이어피스 조정

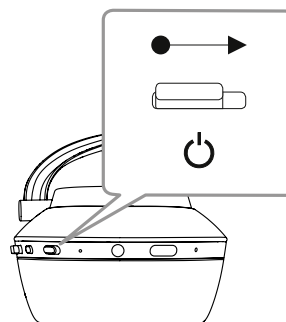


그림 5
전원 켜기

6. 블루투스 페어링

PX 헤드폰을 블루투스로 연결하려면 먼저 오디오 기기와 '페어링'되어 있어야 합니다. 페어링된 후 블루투스 기기와 PX 헤드폰은 서로 기억을 하여 일정 범위 내에 있을 때 자동으로 연결됩니다.

PX 헤드폰을 처음 켜면 Bluetooth 페어링 모드가 시작됩니다. 기기를 페어링 하려면 아래의 순서대로 진행하십시오.:

- 헤드폰이 켜져 있고 페어링 모드에 있는지 확인하십시오. 표시등이 청색으로 점멸합니다.
- 소스 기기의 블루투스 설정에서 블루투스가 켜져 있는지 확인하십시오. 'PX Bowers & Wilkins'가 사용 가능한 기기로 표시됩니다. 'PX Bowers & Wilkins'를 선택하고 블루투스 설정을 닫으십시오.
- 페어링이 진행되는 동안 헤드폰 표시등은 청색으로 점멸하며 페어링이 완료되면 청색으로 점등됩니다. 페어링이 완료되면 헤드폰에서 알람음이 울립니다.
- 페어링이 완료되면 오디오 앱에서 헤드폰이 재생 장치로 선택되어 있는지 확인하십시오.

페어링 할 2차 기기 설정 시, 헤드폰을 수동으로 페어링 모드로 전환하십시오: 그림 6 참조.

- 헤드폰이 켜져 있는 상태에서 블루투스/전원 버튼을 2초 동안 누르십시오. 표시등이 청색으로 점멸하면 헤드폰이 페어링 모드로 전환되며 알람음이 울립니다.
- 다시 한 번, 헤드폰과 페어링 할 기기의 블루투스 설정 화면으로 이동하여 목록에서 'PX Bowers & Wilkins'를 찾습니다. 2차 기기를 선택하면 페어링이 완료됩니다.

주의: 5분 동안 블루투스 페어링이 되지 않을 경우 자동으로 블루투스 모드가 해제됩니다.

주의: 페어링을 실패할 경우 청색 표시등이 2 초씩 빠르게 점멸합니다. 페어링 시킬 때는 두 기기를 가까운 거리에 두는 것이 좋습니다.

6.1 블루투스 페어링

- PX 헤드폰은 최대 8개의 페어링되었던 블루투스 기기를 기억합니다. 두 기기를 동시에 연결이 가능하며 예를 들어 한 기기에서 음악을 재생하고 다른 기기에서는 전화 통화를 할 수 있습니다
- 헤드폰 전원이 꺼져 있거나 스탠바이 모드 상태에서 켜지면 범위 내에 있는 마지막으로 연결된 기기와 연결됩니다. 2차 페어링 기기는 자동으로 연결되지 않지만 그 기기의 블루투스 설정에서 선택할 수 있습니다.
- 연결이 끊어졌을 때 언제든지 헤드폰의 블루투스 버튼을 누르면 마지막으로 연결된 기기와 연결됩니다.
- PX 헤드폰에서 블루투스 소스 기기의 연결을 해제하려면 블루투스 버튼을 빠르게 두 번 누르십시오. 알람음이 울리면서 블루투스 연결이 해제됩니다.

- PX 헤드폰 메모리에서 페어링된 기기를 제거하려면 볼륨 - 버튼과 Bluetooth 버튼을 2초 동안 누르십시오. 표시등이 점멸하며 재부팅됩니다.

7. 블루투스 오디오 컨트롤

PX 헤드폰의 재생/일시정지, 볼륨 +, 볼륨 - 버튼으로 오디오를 컨트롤 할 수 있습니다.

- 볼륨을 증가시키려면 볼륨 + 버튼을 누르십시오.
- 볼륨을 감소시키려면 볼륨 - 버튼을 누르십시오.
- 오디오를 재생 또는 일시 정지하려면 재생/일시정지 버튼을 누르십시오.
- 다음 트랙으로 이동하려면 재생/일시정지 버튼을 빠르게 2번 누르십시오.
- 이전 트랙으로 돌아가려면 재생/일시정지 버튼을 빠르게 3번 누르십시오.

8. Real World Listening

PX 헤드폰의 Environment Filter 노이즈 캔슬링은 우측 이어피스에 있는 Environment Filter 버튼을 눌러 활성화 시킬 수 있습니다. Environment Filter 는 기본적으로 비활성화되어 있습니다. 노이즈 제거 특성이 환경에 따라 조정된 세 가지의 Environment Filter를 Bowers & Wilkins Headphone 앱에서 선택할 수 있습니다. 우측 이어피스에 있는 Environment Filter 버튼을 누르면 마지막으로 사용된 노이즈 캔슬링 설정이 선택됩니다.

PX 헤드폰 Voice Pass-through 기능을 사용하면 헤드폰을 벗지 않고도 대화나 안내 방송과 같은 외부 소리를 들을 수 있습니다. Voice Pass-through는 Bowers & Wilkins 헤드폰 앱에서 선택할 수 있습니다.

주의: Environment Filter 및 Voice Pass-through 기능은 헤드폰에서 오디오 신호 재생을 필요로 하지 않습니다. 오디오가 재생중일 경우 Voice Pass-through는 특성과 볼륨 레벨에 맞춰 음량이 변경됩니다.

주의: 귀에 걸려있는 안경을 착용하면 헤드폰 Environment Filter 성능이 저하 될 수 있습니다. 마찬가지로 귀와 헤드폰 이어피스 사이에 머리카락이 있으면 근접 감지가 작동하지 않을 수 있습니다.

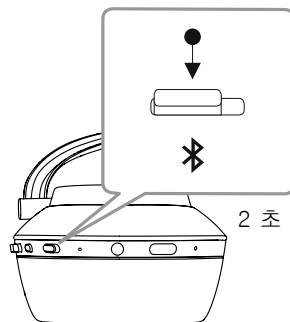


그림 6
블루투스 페어링 모드 수동 전환

9. 스마트폰 사용

PX 헤드폰은 스마트폰과 블루투스 연결하여 전화 통화를 할 수 있습니다.

- 전화를 받으려면 재생/일시정지 버튼을 누르십시오.
- 전화를 거부하려면 재생/일시정지 버튼을 2번 누르십시오.
- 전화를 끝내려면 재생/일시정지 버튼을 누르십시오.

음악을 듣는 도중에 전화가 오면 블루투스 스트림은 일시 정지되며 통화가 끝나면 다시 음악이 재생됩니다.

주의: 통화 기능은 헤드폰이 블루투스가 연결된 경우에만 작동합니다.

10. 유선 연결

PX 헤드폰은 무선 동작 뿐만 아니라 제공된 오디오 및 USB 케이블로 음악 소스와 연결할 수 있습니다.

오디오 잭 케이블 연결은 블루투스를 지원하지 않는 하이파이 시스템에서 또는 비행기 탑승시 유용합니다.

주의: 오디오 잭을 연결하여 오디오를 재생하려면 PX 헤드폰이 충전되어 있어야 하며 전원도 켜져 있어야 합니다.

USB 케이블을 사용하여 PX 헤드폰을 적절한 컴퓨터와 연결 시 USB 사운드 출력 장치로 사용할 수 있습니다.

주의: USB 배터리 충전 시에도 오디오 잭 케이블을 함께 연결하여 입력으로 사용할 수 있습니다.

오디오 잭 케이블 입력 사용시 PX 헤드폰 동작에 관한 설명은 아래와 같습니다.

- 오디오 잭 케이블의 한쪽 끝은 오른쪽 이어피스 하단의 소켓에 완전히 삽입하고 다른 한 쪽은 오디오 재생 기기의 헤드폰 소켓에 삽입하십시오.
- 유선으로 연결이 되어 있으면 헤드폰 볼륨 컨트롤과 재생/일시정지 버튼은 동작하지 않습니다.
- 오디오 잭 케이블을 연결하면 PX 헤드폰의 블루투스 스트리밍이 자동으로 일시 중지됩니다. 블루투스 스트리밍을 재생하려면 오디오 잭 케이블을 헤드폰에서 분리 하십시오.

USB 케이블 입력 사용시 PX 헤드폰 동작에 관한 설명은 아래와 같습니다.

- 블루투스 소스 기기의 연결을 해제하려면 우측 이어피스에 위치한 블루투스 버튼을 빠르게 두 번 누르십시오

주의: USB 오디오를 재생하려면 블루투스 연결이 해제되어야 합니다.

- 작은 USB 플러그를 우측 이어피스 하단의 소켓에 삽입하십시오. 큰 USB 플러그는 컴퓨터의 USB 소켓에 연결하십시오. 컴퓨터 USB 소켓에서 전원이 공급되면 헤드폰 배터리가 즉시 충전되기 시작합니다.
- 컴퓨터의 오디오 출력에서 재생 장치로 PX 헤드폰을 선택하십시오. 컴퓨터에서 재생되는 오디오는 PX 헤드폰을 통해 재생됩니다.
- USB 오디오 재생 시 헤드폰 볼륨 및 재생/일시정지 컨트롤은 정상적으로 작동합니다.
- 헤드폰 블루투스 기능을 복원하려면 블루투스 버튼을 누릅니다. 헤드폰은 마지막으로 연결된 기기와 연결 됩니다.

11. 헤드폰 펌웨어 업데이트

펌웨어 업데이트를 통해 PX 헤드폰의 성능을 향상시키고 새로운 기능을 추가할 수 있습니다.

펌웨어 업데이트가 가능하면 헤드폰 앱에 알림 표시가 나타납니다. 업데이트 실행하려면 앱에서 알림을 탭 하십시오.

주의: 펌웨어 업데이트 중에는 헤드폰과 모바일 기기가 켜져 있어야 하며 가까운 거리에 두는 것이 좋습니다. 또한 헤드폰에 배터리 잔량이 남아있어야 펌웨어 업데이트가 완료될 수 있습니다. 펌웨어 업데이트를 완료하는데 배터리 잔량이 충분하지 않을 경우 앱에 표시됩니다.

12. 헤드폰 초기화 및 재부팅

PX 헤드폰은 앱에서 리셋 옵션을 사용하여 디폴트 (초기) 설정으로 돌아가거나 우측 이어피스에 있는 핀 홀 버튼을 눌러서 재부팅할 수 있습니다. 핀 홀 버튼은 그림 1을 참조하십시오.

페이퍼 클립을 사용하여 재부팅 버튼을 2초 동안 눌러 주십시오. 헤드폰 전원이 꺼지며 전원 버튼을 누르면 재부팅이 완료됩니다

주의: 재부팅 되어도 페어링된 기기 메모리는 삭제되지 않습니다.

13. PX 클리닝

젖은 천으로 가죽 부위를 깨끗해질 때까지 가볍게 두드리십시오. 천으로 가죽을 문지르지 마십시오. 클리너나 가죽 광택제를 사용하면 제품이 손상될 수 있으니 사용하지 마십시오.

주의: PX 헤드폰 이어피스는 자석으로 부착되어 있으며 필요한 경우 이어피스를 본체에서 조심스럽게 당겨 분리할 수 있습니다.

그림 7 표시등 밝기

상단 표시등	동작 상태
녹색 (느린 깜빡)	배터리 충전중
녹색	전원 켜짐, 배터리 50% 이상
노랑색	전원 켜짐, 배터리 30% 이상
적색	전원 켜짐, 배터리 30% 이하
적색 (느린 깜빡)	헤드폰 작동에 필요한 배터리 잔량 부족
적색 (깜빡)	배터리 잔량 부족
청색	블루투스 페어링 성공
청색 (깜빡)	블루투스 페어링 모드 실행
청색 (느린 깜빡)	블루투스 페어링 진행중
청색 (깜빡 반복)	블루투스 페어링 실패
백색	Environment Filter 켜짐

그림 8 버튼 동작 기능

버튼	조작	기능
On/Off/블루투스	밀기	전원 켜짐
	길게 밀기	전원 꺼짐
	길게 누르기	페어링 모드
	누르기	마지막 연결된 기기 연결
	두 번 누르기	모든 블루투스 기기 연결 해제
	동시에 길게 누르기	블루투스 저장 기기 삭제
On/Off/블루투스 & Vol -	누르기	앱에서 선택한 마지막 Environment Filter 설정을 적용하거나 해제
Volume +	누르기	볼륨 증가
	누르기	볼륨 감소
재생/일시정지	누르기	재생 및 일시 정지.
	두 번 누르기	다음 트랙 재생
	세 번 누르기	이전 트랙 재생
재생/일시 정지	누르기	전화 받기 및 끊기
	길게 누르기	통화 거부
<i>주의: 통화 기능은 블루투스 연결 재생에서만 가능합니다.</i>		
재생/일시 정지 & Vol +	동시에 길게 누르기	전화 받기 및 끊기

기술 사양

기술적 특징	어댑티브 노이즈 캔슬링 및 Voice Pass-through Bluetooth v4.1 aptX-HD 재생/일시정지/On/Off 스마트 센싱 USB-C 충전 및 오디오 인터페이스 충전용 리튬 배터리 부드러운 가죽 메모리폼 쿠션 월드 클래스 사운드 프리미엄 소재 및 제조 품질 퍼스널 오디오 재생을 위한 모바일 앱 폴딩 디자인
Bluetooth 코덱	aptx-HD AAC SBC
Bluetooth 프로파일	A2DP v1.3 AVRCP v1.6 HFP v1.6 HSP v1.2 GAP SDAP DIP
드라이브 유닛	2x ø40mm 풀 레인지
주파수 대역	2Hz ~ 30kHz
임피던스	22Ω
왜율	<0.23 (1kHz/10mW)
감도	111dB@1kHz
배터리 수명	BT/ANC 22시간, BT 29시간, 유선/ANC 33시간, 유선 50시간.
입력	블루투스, 3.5mm 스테레오 잭 (USB-C 오디오)
박스 내용물	1.2m 스테레오 잭 오디오 케이블, 1.2m USB-A 대 USB-C 케이블, 파우치
중량	335g